



Tel: 714-891-7797
 Fax: 714-891-2478
 Toll Free: 800-822-8855
 www.calfaucets.com

California Faucets®

BALBOA 15 SERIES

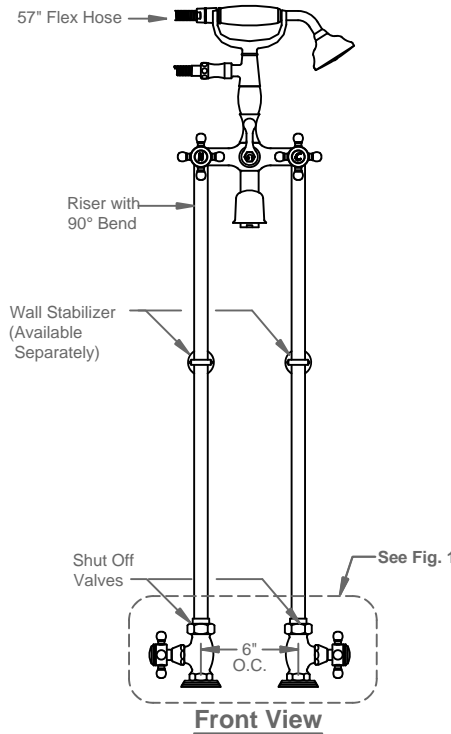
1503-D

INSTALLATION
INSTRUCTIONS

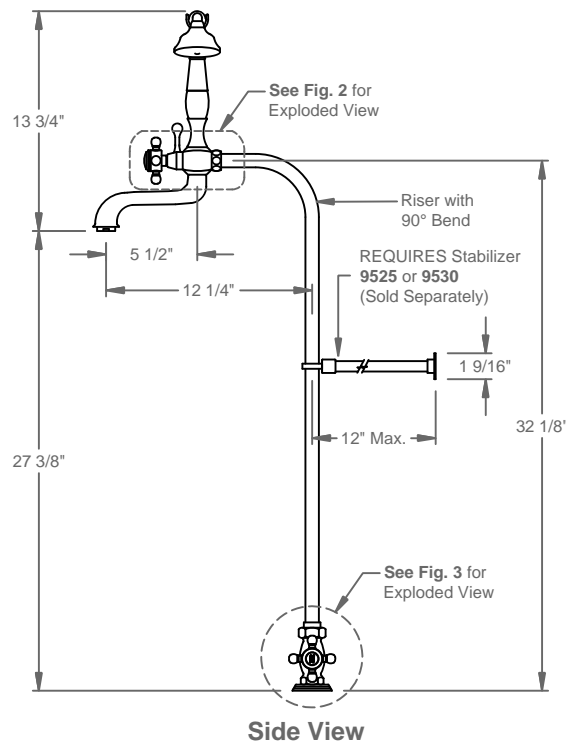
IMPORTANT

All *California Faucets*® products are engineered to provide quality performance provided they are installed and operated properly. To fully enjoy the comfort, safety, and reliability of your new Balboa fittings, please follow the instructions below.

California Faucets reserves the right to make modification and specification changes at any time. Please visit www.calfaucets.com for most current technical data.



Flow rate = 10 GPM @ 60 PSI



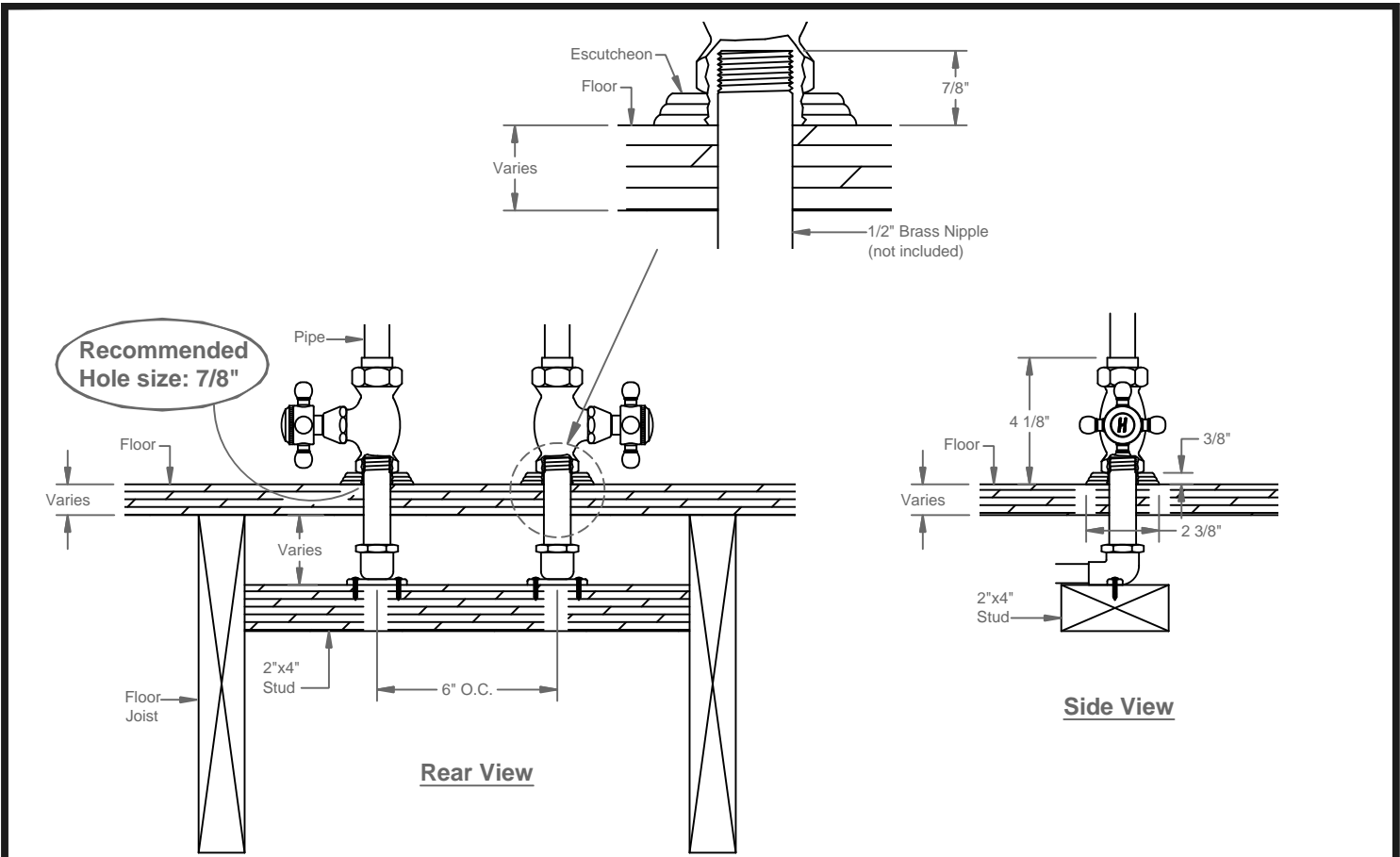
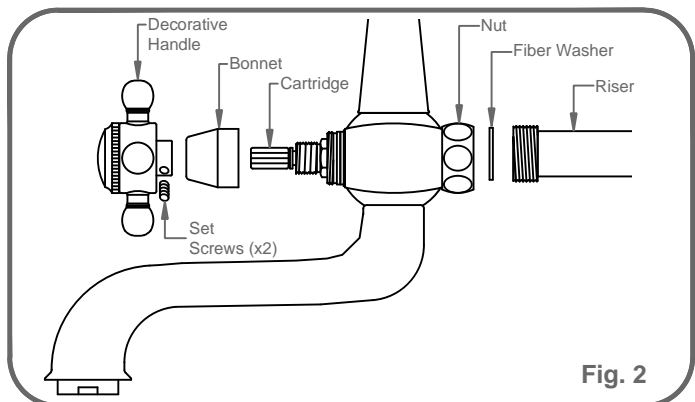
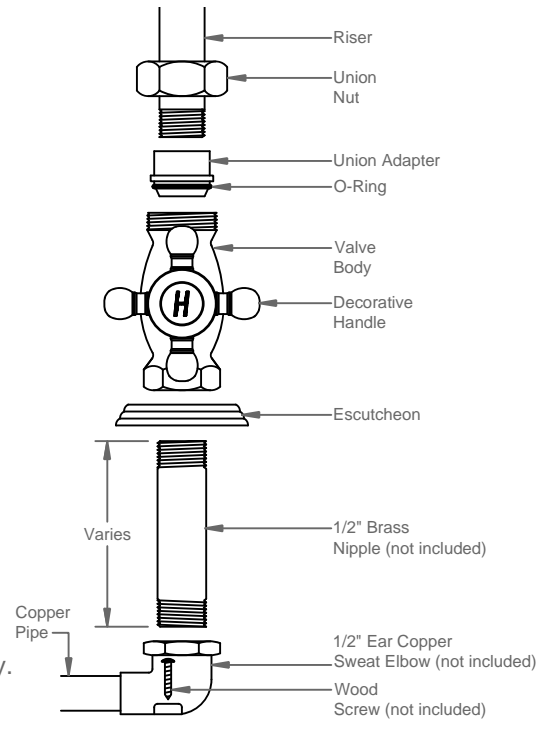


Fig. 1



Exploded View

IMPORTANT: Flush supply lines of all debris prior to connecting to faucet valve bodies. Debris remaining in the line will damage valve bodies and cause leaking. Failure to flush the lines could result in **VOIDING** the warranty.



Exploded View

Fig. 3

IMPORTANT CLEANING NOTICE
 Please refer to *Finish Care Instructions* for complete cleaning information. Wipe frequently with a soft, damp cloth. **Never use acids, harsh abrasives or detergents.**