

0906-XX, 1006-XX, 1106-XX, 1206-XX,  
1306-XX, 1406-XX, 8508-ETW, 8608-ETW  
**Wall Mount Tub Filler**  
**Installation Instructions**

**CALIFORNIA FAUCETS RECOMMENDS THAT ALL PLUMBING PRODUCTS BE INSTALLED BY A LICENSED PROFESSIONAL**

**IMPORTANT: Read all instructions prior to installation and provide copy of instructions to consumer.**

**Operating Specifications:**

Recommended Supply Pressure: 20 to 70 psi\*\*†

Maximum Flow Rate: 15 gpm

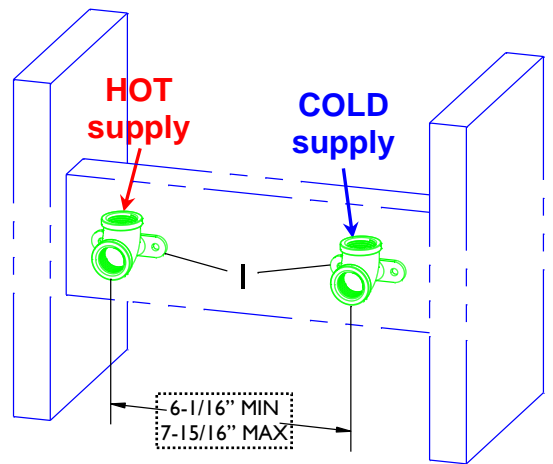
\* Operating pressures between hot and cold supplies should vary no more than 30 psi.

† If water pressure exceeds 70 psi, install a Pressure-Reducing Valve (RPV).

## 1 PREPARING FITTING IN WALL

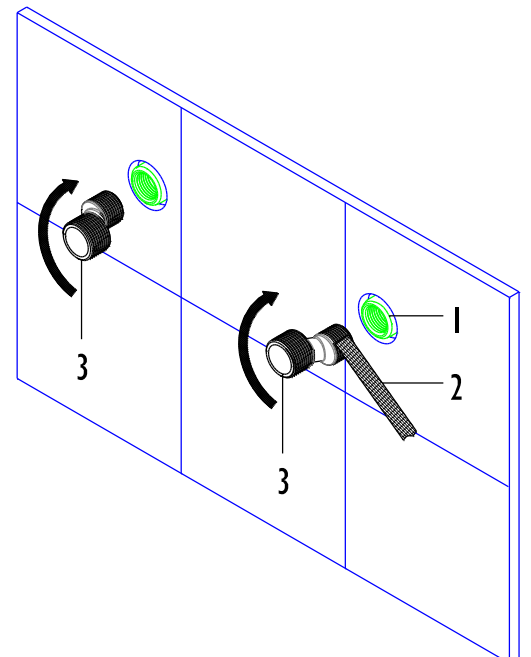
**Important:** It is the responsibility of the **INSTALLER** to securely install supply ELL (1) and piping to provide proper support of this faucet.

- Securely mount the supply ELL (1) and plumbing to studs in wall to provide proper support of wall tub faucet
- Supply ELL (1) shall be 6-1/16" to 7-15/16" apart



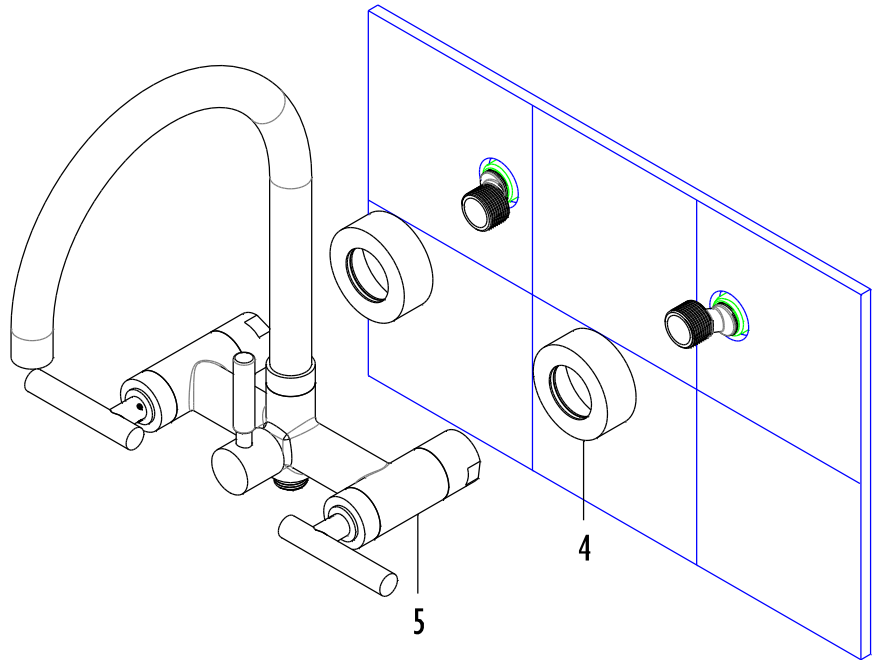
## 2 INSTALLING ECCENTRICS

- Apply 3-5 wraps of Teflon TAPE (2) to inlet ECCENTRIC (3)
- Tighten ECCENTRIC (3) into supply ELL (1)
- Repeat same procedure on other side



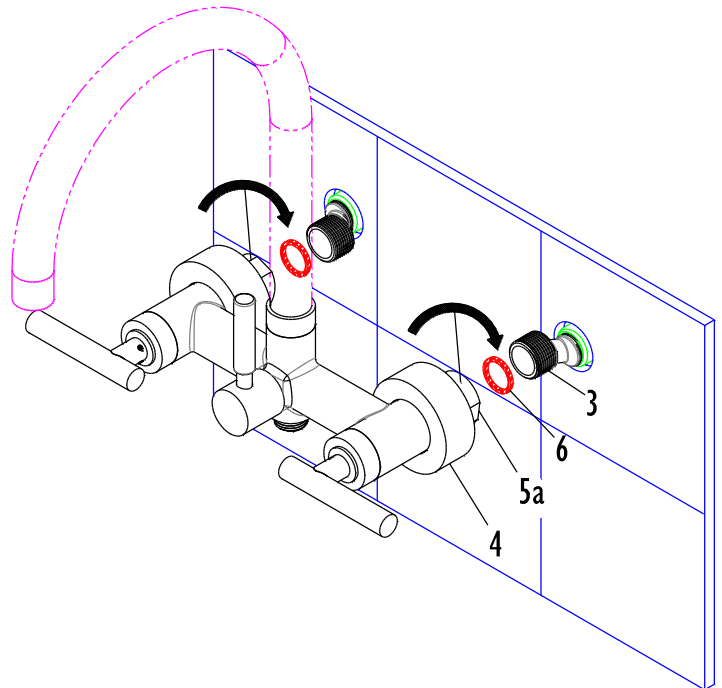
### 3 INSTALLING ESCUTCHEONS

- Slide ESCUTCHEON (4) onto back of BODY (5)
- Repeat same procedure on other side



### 4 SECURING FAUCET TO WALL

- Place WASHER (6) into NUT (5a)
- Tighten NUT (5a) onto ECCENTRIC (3)
- Slide ESCUTCHEON (4) against wall
- Repeat same procedure on other side



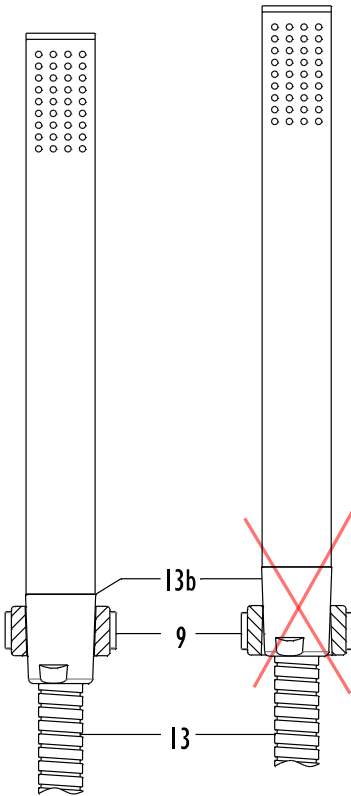
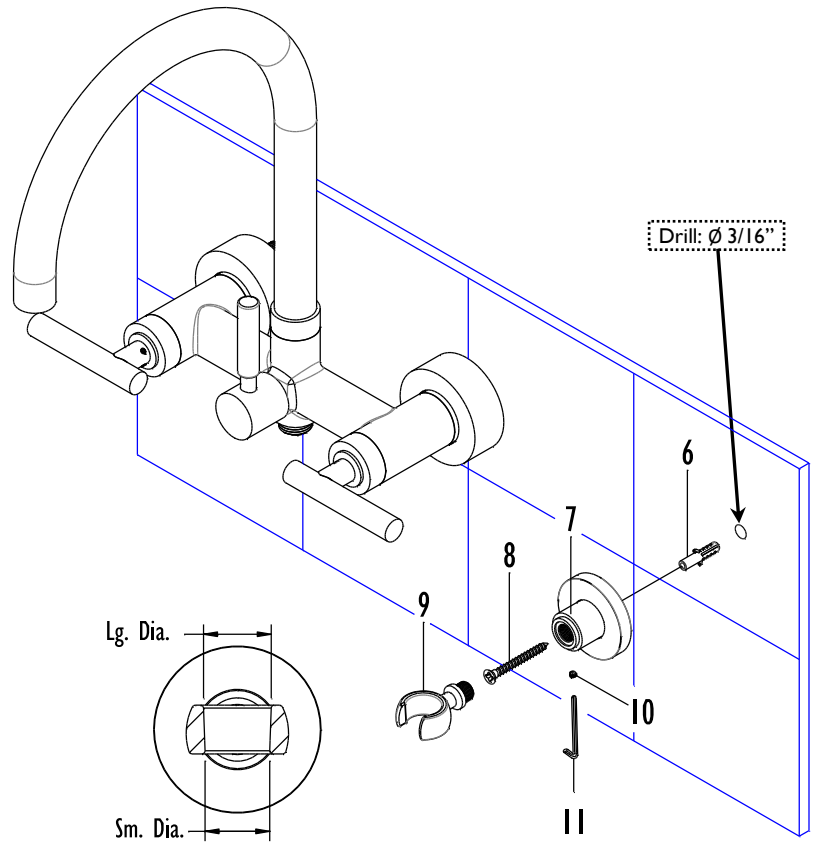
## 5 ATTACHING HANDSHOWER HOLDER

**Important:** It is the responsibility of the **INSTALLER** to discuss with **CONSUMER** as to which side the **HANDSHOWER (14)** shall be placed on the wall before proceeding.

- Drill  $\varnothing 3/16''$  hole on wall for handshower holder
- Install **ANCHOR (6)** into hole
- Secure holder **BASE (7)** onto wall with **SCREW (8)**
- Tighten **HOOK (9)** into **BASE (7)**

**Important:** The hook must be rotated to have the larger diameter at the top for proper joining of handshower.

- Secure **HOOK (9)** in place by tightening **SETSCREW (10)** with **KEY (11)**
- Attach **CONICAL (13b)** nut of **HOSE (13)** to **HANDSHOWER (14)** to confirm proper orientation of the **HOOK (9)** as shown below



## 6 FINAL CONNECTIONS

- Attach inlet of CHECK VALVE (12) to lower OUTLET (5b) of BODY (5)
- Attach HEX (13a) nut of HOSE (13) to lower outlet of CHECK VALVE (12)
- Attach HANDSHOWER (14) to CONICAL (13b) and place in holder
- Operate faucet divert from tub spout to handshower and check for leaks

