

---

# BERTAZZONI PROFESSIONAL SERIES

## 36" UNDERMOUNT CANOPY HOOD

### KU36 PRO 1 XV

---

#### HIGHLIGHTS

- Double motor canopy hood features a narrow or full-width duct cover as optional.
- 400 CFM max extraction power with one motor controlled by 3 speed settings.
- 2 halogen lights give exceptionally bright worktop illumination.

---

#### FEATURES

<b>Hood finishing</b>	stainless steel
<b>Motor</b>	1
<b>Speed</b>	3
<b>Hood control</b>	slider
<b>Halogen lights</b>	2
<b>Filters</b>	aluminum mesh
<b>Max extraction power</b>	400 CFM

---

#### TECHNICAL SPECIFICATIONS

<b>Voltage, frequency</b>	120 V 60 Hz
<b>Max Amp usage, power rating</b>	3.3 A - 400 W
<b>Certification</b>	CSA
<b>Warranty</b>	2 years parts and labor

---

#### ACCESSORIES

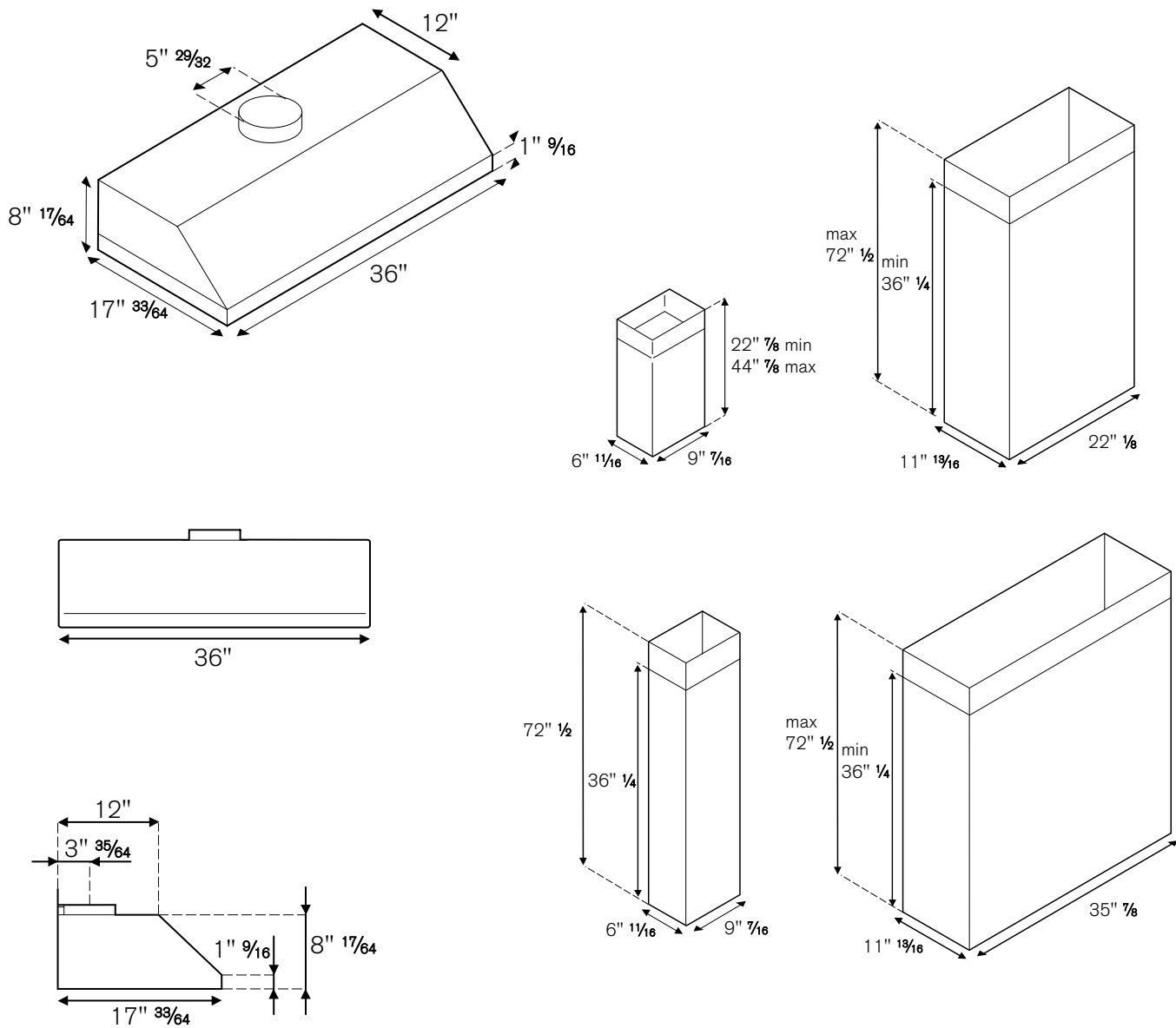
<b>Narrow duct cover</b>	code 901262
<b>Medium duct cover</b>	code 901263
<b>Full-width duct cover</b>	code 901265
<b>Narrow duct cover for ceiling height 8-10 ft</b>	code 901281
<b>Kit Aluminum mesh filters</b>	code 901402
<b>Recirculation Kit</b>	code 901336

All KU hoods can be installed under 12" deep wall cabinets or with the optional height-adjustable medium- and full-width duct covers.



# INSTALLATION INSTRUCTIONS

## KU36 PRO 1 XV



Bertazzoni recommends to operate the appliance after it has been properly installed. Please refer to the installation manual for further details.

**Disclaimer:** while every effort has been made to insure the accuracy of the information contained in this brochure, Fratelli Bertazzoni reserves the right to change any part of the information at any time without notice.

Fratelli Bertazzoni, Bertazzoni and the winged wheel brand icon are registered trademarks of Bertazzoni Spa.