
BERTAZZONI DESIGN SERIES

30" WALLMOUNT HOOD

KG30CONX

HIGHLIGHTS

- The touch through glass interface allows for immediate and intuitive control of the range hood functions.
- The 3 speed motor delivering up to 600 CFM can be adjusted to any cooking needs.
- The highly efficient Euro- baffle filter system provides excellent performance results and is dishwasher safe for easy cleaning.

FEATURES

Range hood finishing	stainless steel and black glass insert panel
Motor	1
Speeds	3
Hood control	touch
Halogen lights	2
Filters	Euro baffle
Max extraction power	600 CFM

TECHNICAL SPECIFICATIONS

Electrical Requirements	120 V 60 Hz
Max Amp usage, power rating	3.3 A - 400 W
Certification	CSA
Warranty	2 years parts and labor

ACCESSORIES

Recirculation Kit	code 901271
--------------------------	-------------

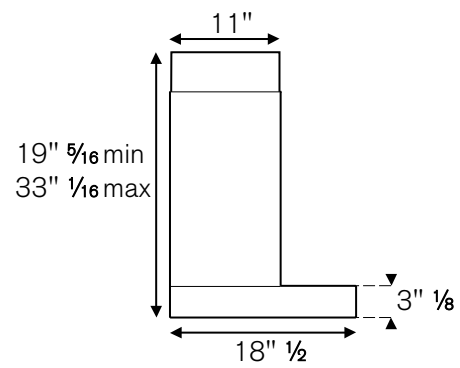
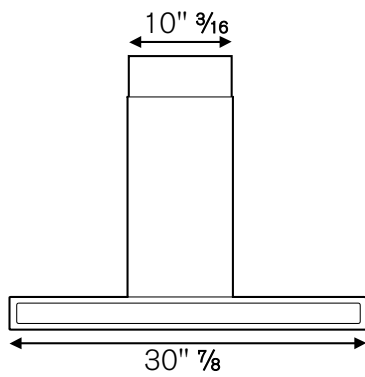
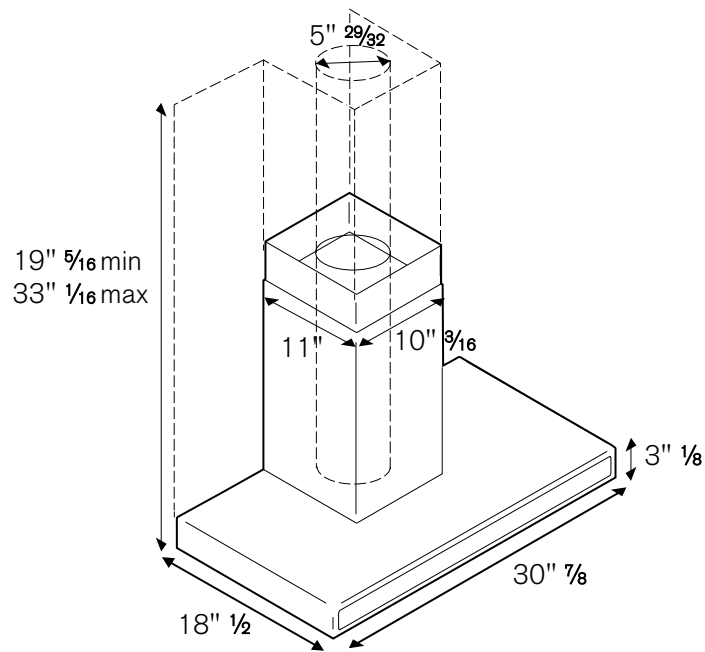
Duct cover included



TO COOK BEAUTIFULLY
WWW.BERTAZZONI.COM

INSTALLATION INSTRUCTIONS

KG30CONX



Bertazzoni recommends to operate the appliance after it has been properly installed. Please refer to the installation manual for further details.

Disclaimer: while every effort has been made to insure the accuracy of the information contained in this brochure, Fratelli Bertazzoni reserves the right to change any part of the information at any time without notice.

Fratelli Bertazzoni, Bertazzoni and the winged wheel brand icon are registered trademarks of Bertazzoni Spa.