

REF36FDFZXNT

REFRIGERATOR 36" FREESTANDING FRENCH DOOR
STAINLESS STEEL



Energy Star rated refrigerator with 21.6 cu.ft capacity to handle the preservation needs of a large family.

Precise temperature provided by 3 evaporators and dual air-cooling flow with independent no-frost system for refrigerator and freezer compartments.

Individual Quattro Temp Zone drawer featuring customizable settings for meat & fish, delicacies, beverages or wine.

Dual humidity-controlled crispers to store and preserve separately fruit, vegetables and other produce. Gallon-size door bins for practical organization of jars, cans, bottles and other quick reach items. Foldable top shelf for storage of taller items in the refrigerator compartment.

Automatic ice-maker with delivery through the door and 4.4 lbs/daily production.

Internal water dispenser with inline filter for hygienically clean drinking water and ice.

Super Freeze cycle option for 20% faster freezing performance.

Digital LED touch interface with user-friendly controls for temperature, super cool, super freeze, ice maker and eco mode.

Overhead and sidewall LED lighting for clearer illumination.

Flat front stainless steel doors for maximum durability.

Choose Professional, Master or Heritage Series handle kit to match your other Bertazzoni kitchen appliances. Purchase Décor Sets to personalize your Heritage Series handles (2 units per set needed).

ADA compliant.
2 years parts & labor warranty.

PRODUCT FEATURES

Size	W 36"
Volume	Ref 15.0 cu.ft / Frz 6.6 cu.ft
Door finish	Stainless steel
User interface	Internal digital LED touch interface
Lighting	Top and sidewall LED lights
Refrigerator shelves	1 fixed and 4 height-adjustable, of which 1 retractable
Refrigerator crispers	2 large size with adjustable humidity
Freezer compartment	2 large full width drawers with separate temperature control
Door storage	6 gallon sized bins
Ice maker	Automatic ice maker 4.4 lbs/24hrs
Settings	Super cool, Super freeze, Quattro temp zone selector, Ice type selector (crushed/cubed), Water filter replacement alarm, Water dispenser, Eco mode

TECHNICAL SPECIFICATIONS

Electrical supply	115 V 60 HZ - 280 W - 3 Amp
Power connection	NEMA 5-15P with 67" power cord
Sound rating	43 dbA
Water connection	1/4" waterline with shut-off valve
Water supply pressure	30-100 PSI (2.1-6.9 BAR)
Energy consumption	658.0 kwh/yr
Certification	ADA Compliant,CEC,UL
Warranty	2 years parts & labor
Packaging dimensions	W 38 3/4" H 72 5/8" D 30 11/16"
Weight	370.0 lbs

ACCESSORIES

Z300357	Replacement Water Filter
HK36PROFDX	Handle Kit - Professional Series
HK36MASFDX	Handle Kit - Master Series
HK36HERFDX	Handle Kit - Heritage Series
DS2HERTSB	Décor Set 2 - Matt Satin Black finish
DS2HERTPC	Décor Set 2 - Polished Copper finish
DS2HERTGO	Décor Set 2 - Gold finish



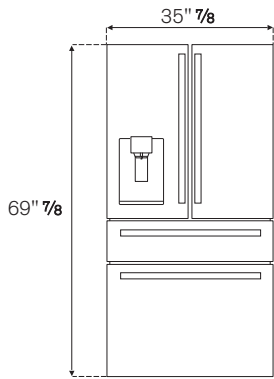
AIM YOUR CAMERA HERE

REF36FDFZXNT

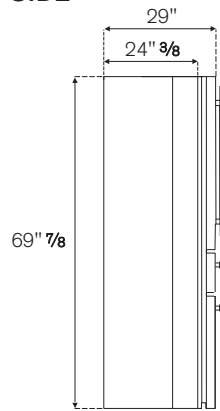
REFRIGERATOR 36" FREESTANDING FRENCH DOOR
STAINLESS STEEL



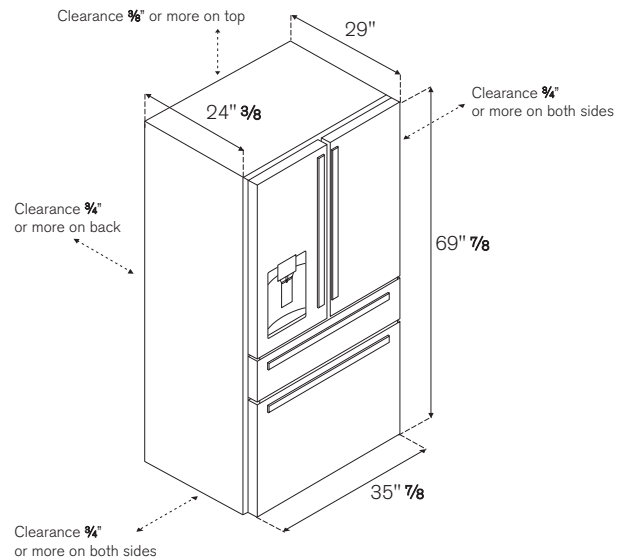
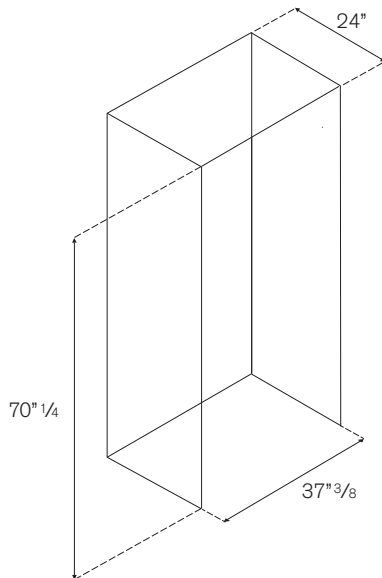
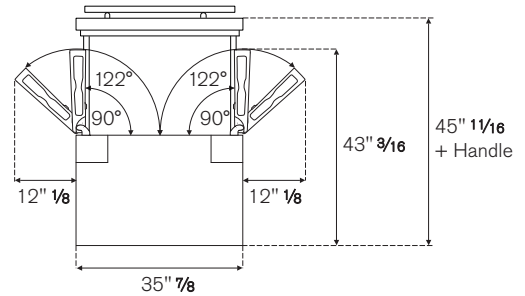
FRONT



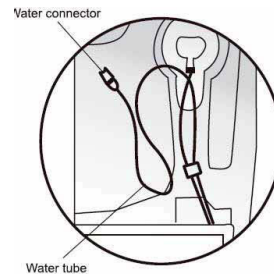
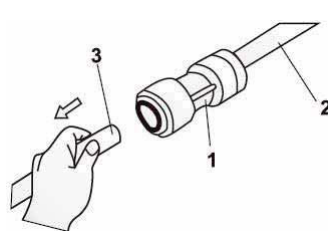
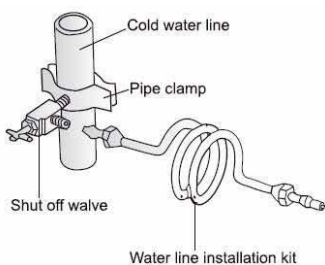
SIDE



TOP



WATER LINE INSTALLATION KITS: Available at extra cost from your dealer



ELECTRICAL CONNECTION:

A properly-grounded, electrical receptacle should be installed. A separate circuit breaker servicing only this appliance is recommended. Do not use a multi-purpose socket with other electrical appliances.

CONNECT WATER VALVE: Connect water supply line to water valve with accessible shutoff valve. Connect water line to refrigerator using installation kit. Kit includes one water tube and connector. Second water tube not supplied. Connect first water tube [2] into corresponding hole of water connector[1].