

BRIZO®

PRESSURE BALANCE SHOWER TRIM

- Frank Lloyd Wright® Bath Collection by Brizo®
- Trim Only


STANDARD SPECIFICATIONS:

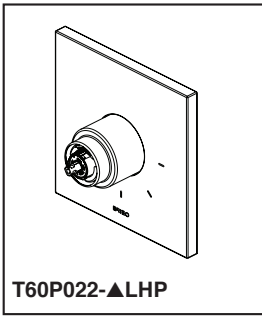
- Maintains a balanced pressure of hot and cold water even when a valve is turned on or off elsewhere in the system
- For use with MultiChoice® Universal rough valve body (R60000 Series)
- Back-to-back installation capability
- Solid brass fabricated body
- Temperature only controlled with handle
- Field adjustable to limit handle rotation into hot water zone
- 120° maximum handle rotation
- All parts replaceable from the front of the valve
- Extension kit (RP81665) extends rough installation for up to 1 3/4" (optional, not included)
- Must order handles separately. See handle HL60P22 below.

WARRANTY

- Parts and Finish - Lifetime limited warranty; or for commercial purchasers, 10 years for multi-family residential (apartments and condominiums) and 5 years for all other commercial uses, in each case from the date of purchase.
- Electronic Parts and Batteries (if applicable) - 5 years from the date of purchase; or for commercial purchasers, 1 year from the date of purchase. No warranty is provided on batteries.

COMPLIES WITH:

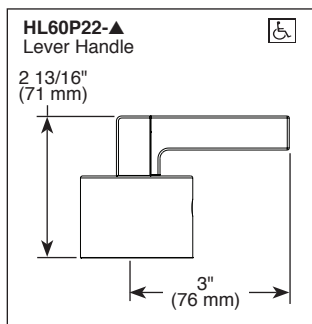
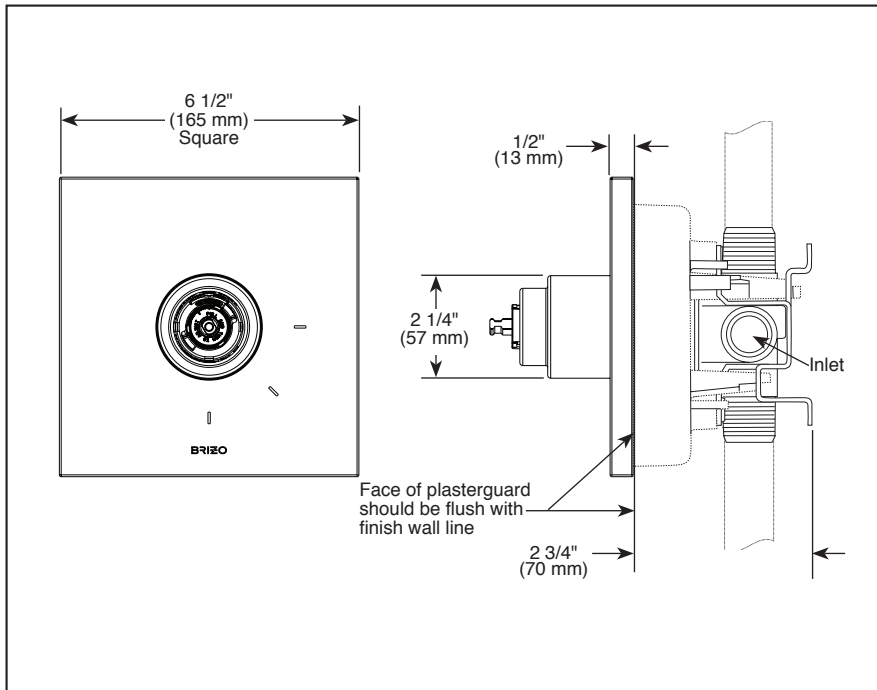
- ASME A112.18.1 / CSA B125.1
- ASSE 1016
-  Indicates compliance to ICC/ANSI A117.1



T60P022-▲LHP

Submitted Model No.: _____

Specific Features: _____



▲ Designate proper finish suffix

