

BRIZO[®]

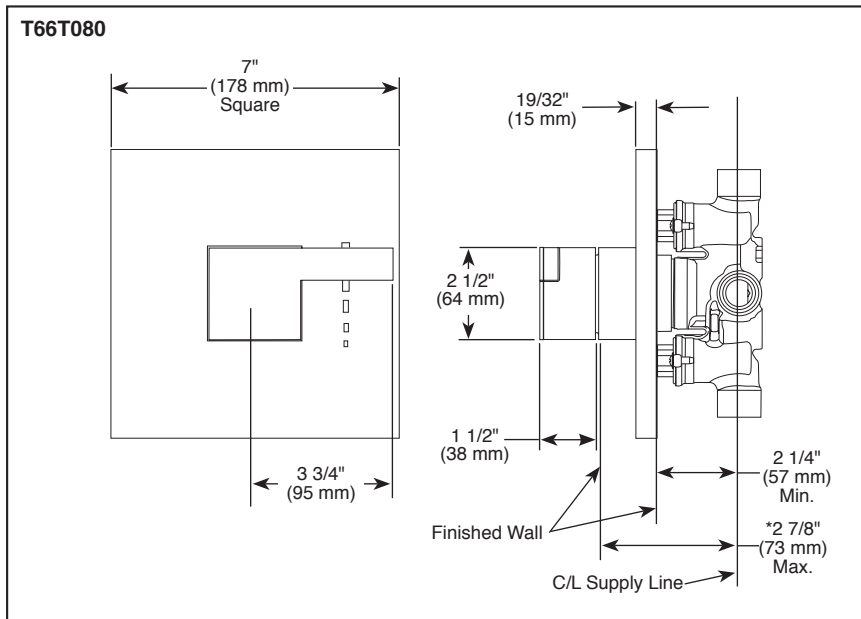
SENSORI[®]

CUSTOM SHOWER TRIM

- Siderna[®] Collection
- Thermostatic Control Trim

Submitted Model No.: _____

Specific Features: _____



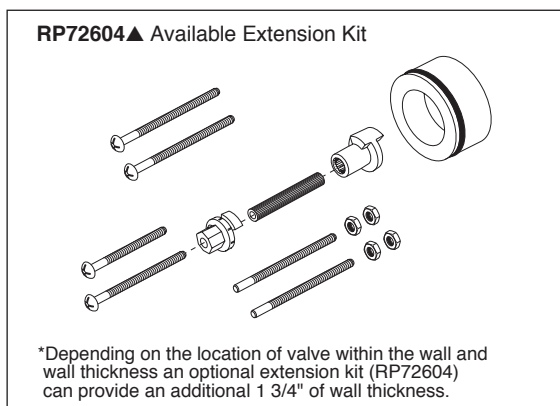
▲ Designate proper finish suffix

STANDARD SPECIFICATIONS


- Sensori[®] thermostatic control.
- Must also order R66000-WS rough valve body.
- Includes Sensori[®] thermostatic cartridge.
- Thermostatic wax element maintains the outlet temp to +/- 3.6° F.
- Handle controls temperature only; must be used with one or more Sensori[®] volume controls.
- Field adjustable to limit rotation into hot water zone.
- All parts are replaceable from the front of the valve.
- Adjusts for up to 5/8" wall thickness. RP72604 extension kits extends rough installation up to 1 3/4".
- Escutcheon is held in place with magnets. No exposed screws.

WARRANTY

- Lifetime limited warranty on parts (other than electronic parts and batteries) and finishes: or, for commercial users, for 5 years from date of purchase.
- 5 year limited warranty on electronic parts (other than batteries); or, for commercial users, for 1 year from the date of purchase. No warranty is provided on batteries.



COMPLETE VALVE COMPLIES WITH:

- ASME A112.18.1 / CSA B125.1
-  Indicates compliance to ICC/ANSI A117.1
- ASSE 1016 Type T