

# BRIZO®

## PRESSURE BALANCE VALVE TRIM

- Kintsu™ & Allaria™ Bath Collections
- Valve Only (T60P006)

### STANDARD SPECIFICATIONS:

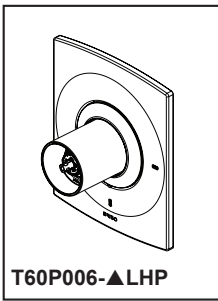
- Maintains a balanced pressure of hot and cold water even when a valve is turned on or off elsewhere in the system
- For use with MultiChoice® Universal rough valve body (R60000 Series)
- Max flow rate 6.3 gpm at 60 psi with R60000-UNBXHF
- Back-to-back installation capability
- Solid brass fabricated body
- Handle controls on/off and temperature
- Red/Blue temperature indicator markings
- Field adjustable to limit handle rotation into hot water zone
- 120° maximum handle rotation
- All parts replaceable from the front of the valve
- Adjusts for up to 1" wall thickness. Optional extension kit (RP101595) extends rough installation up to 1 3/4"

### WARRANTY

- Parts and Finish - Lifetime limited warranty; or for commercial purchasers, 10 years for multi-family residential (apartments and condominiums) and 5 years for all other commercial uses, in each case from the date of purchase.
- Electronic Parts and Batteries (if applicable) - 5 years from the date of purchase; or for commercial purchasers, 1 year from the date of purchase. No warranty is provided on batteries.

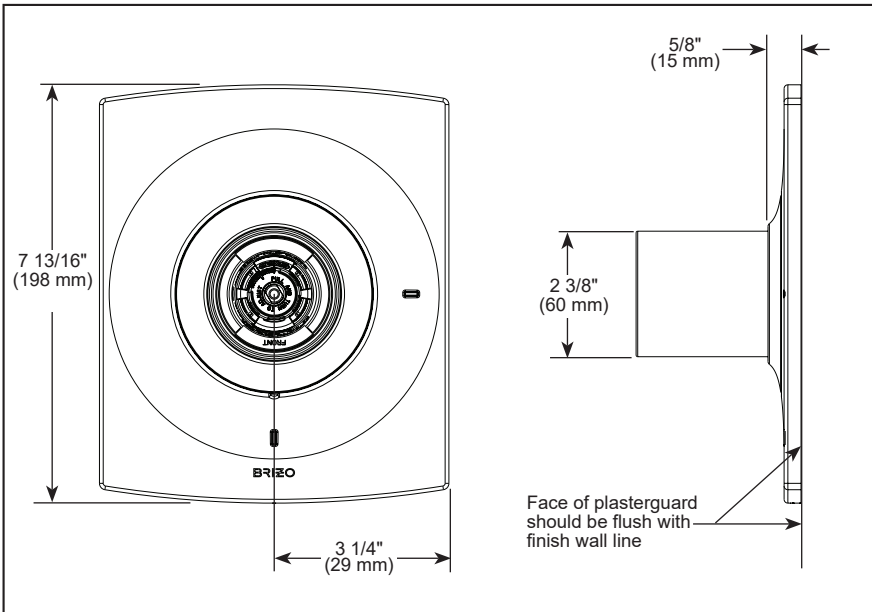
### COMPLIES WITH:

- ASME A112.18.1 / CSA B125.1
- ASSE 1016
- ☑ Indicates compliance to ICC/ANSI A117.1

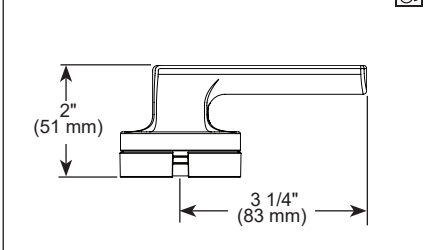


Submitted Model No.: \_\_\_\_\_

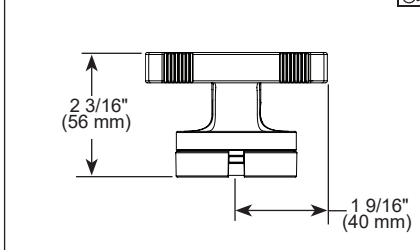
Specific Features: \_\_\_\_\_



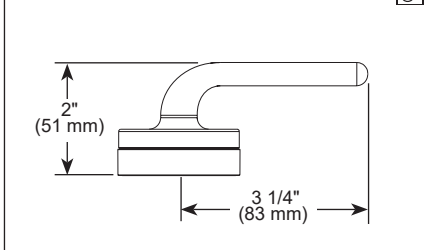
HL60P06-▲ Lever Handle - Kintsu™



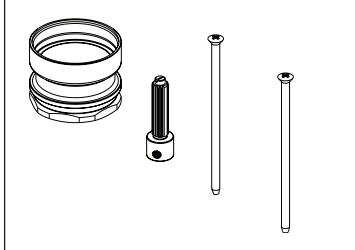
HK60P06-▲ Cross Handle - Kintsu™



HL60P67-▲ Lever Handle - Allaria™



RP101595 Available Extension Kit



▲ Designate proper finish suffix