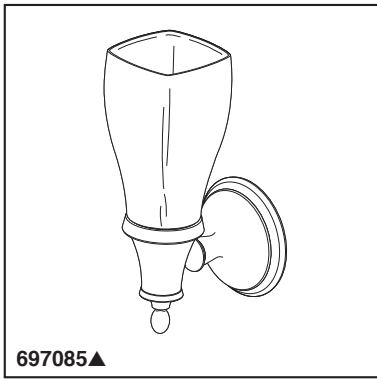


BRIZO®

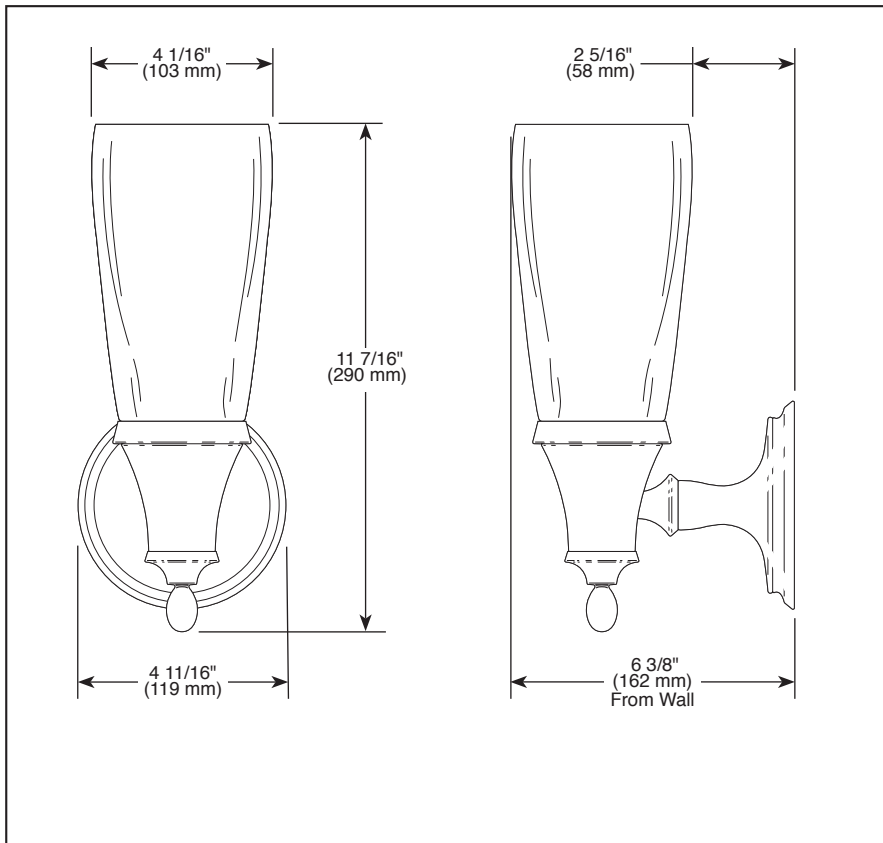
ACCESSORIES

- Charlotte™ Bath Collection
- Single Light Sconce



Submitted Model No.: _____

Specific Features: _____



▲ Designate proper finish suffix

STANDARD SPECIFICATIONS:

- Mounting hardware and mounting instructions included with product
- Glass dome is satin etched
- UL approved up to 60 watts
- Uses C7 60 watt max. bulb
- Mounts on standard electrical box
- Wire nuts and mounting screws are included with product

WARRANTY

- Lifetime limited warranty on parts (other than electronic parts and batteries) and finishes: or, for commercial users, for 5 years from date of purchase.
- 5 year limited warranty on electronic parts (other than batteries); or, for commercial users, for 1 year from the date of purchase. No warranty is provided on batteries.