

Add a special layer of high-performance, commercial quality to your home kitchen with a BlueStar Salamander Broiler. The four-position, adjustable grilling rack delivers perfect results, from “Pittsburgh-rare” steaks, to crispy chicken, to delicately broiled crab cakes, with cooking time virtually cut in half.



PRODUCT FEATURES

- Heavy-duty, commercial stainless steel construction
- Two independently controlled infrared ceramic burners
- Powerful 18,500 BTUs
- 215 square inches of cooking space
- Large removable heavy-duty grilling rack
- Automatic electric ignition and re-ignition system
- Available in Natural or LP gas

SPECIFICATIONS

Product Dimensions: 25”W x 15”D x 14.625”H
 Front Burner Rating: 11,000 BTUs
 Rear Burner Rating: 7,500 BTUs
 Electrical Requirements: 120V, 60Hz, 15 AMPS, 1 PH
 (Unit must be on a Non-GFI, dedicated outlet)
 Operating Gas Pressure: NAT: 5.0” WC, LP: 10” WC
 Gas Line Size: 1/2”
 Installation Clearance: See installation manual

MODEL CONFIGURATION

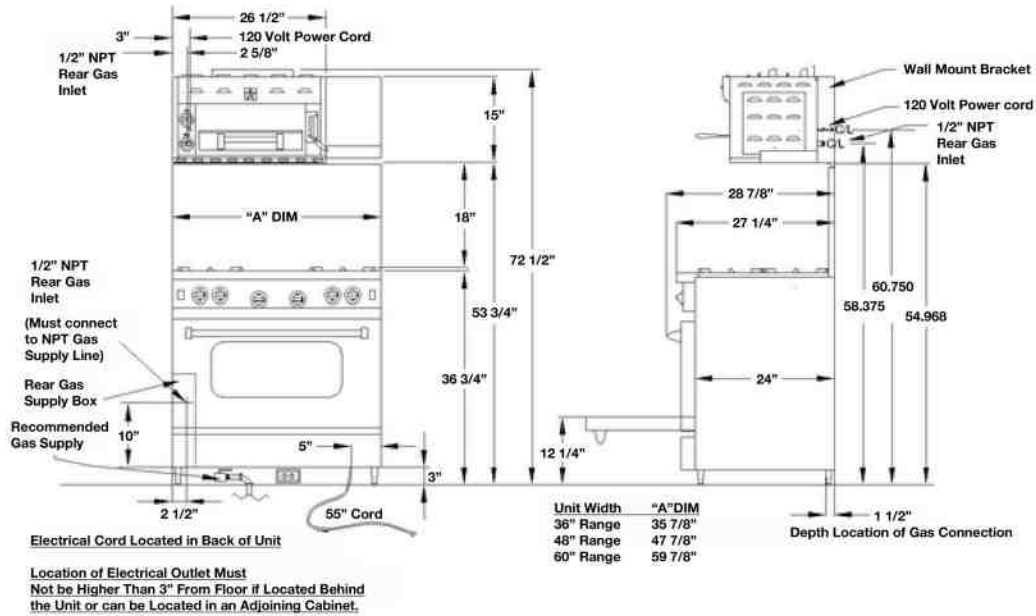
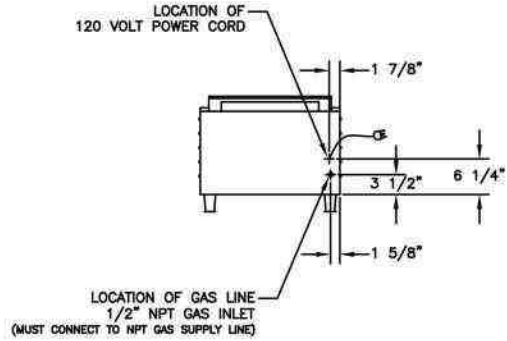
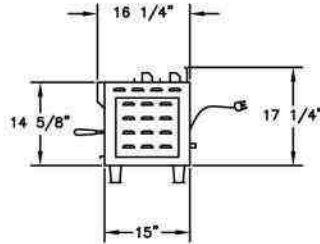
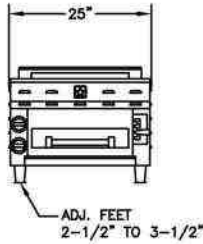
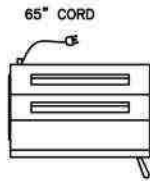
Salamander Broiler	PRZSAL24V2
Wall Mount Accessories:	
24” Wall Mount without shelf	PRZSALWM
36” Wall Mount with shelf	PRZSAL36WM
48” Wall Mount with shelf	PRZSAL48WM
60” Wall Mount with shelf	PRZSAL60WM

ADDITIONAL CUSTOMIZATION OPTIONS

- Knob colors
- Trim options

*All specifications subject to change without notice.
 Contact BlueStar Customer Service at (800) 449 - 8691
 prior to installation or site preparation.*

BLUESTAR SALAMANDER BROILER SERIES



SPECIFICATIONS:

- TWO INDEPENDENTLY CONTROLLED INFRARED BURNERS:
RATING FOR EACH BURNER _ _ _ _ 11,000 BTU.
- ELECTRICAL REQUIREMENTS _ _ _ _ 120V, 60Hz, 15 AMPS, 1 PH
(UNIT MUST BE ON A NON-GFI, DEDICATED OUTLET)
- OPERATING GAS PRESSURE _ _ _ _ NAT: 5.0" WC
LP: 10.0" WC

INSTALLATION NOTES:

- THIS UNIT MUST BE INSTALLED WITH A HOOD.
- HOOD SIZE AND CFM WILL VARY DEPENDING ON SIZE OF RANGE.
- FOR A COUNTER TO MODEL A MINIMUM SHOULD BE A 36" 900 CFM IS RECOMMENDED.
- MINIMUM COUNTER TOP HEIGHT INSTALLATION IS 48".
- COUNTER TOP UNITS MUST BE INSTALLED WITH FACTORY SUPPLIED LEGS.
- INSTALLATION CLEARANCE:
 - 6" SIDE WALL OR TOP CABINETS
 - 0" REAR WALL (REAR WALL MUST BE NON-COMBUSTIBLE AND UNIT MUST BE INSTALLED USING OUR WALL MOUNT BRACKET)