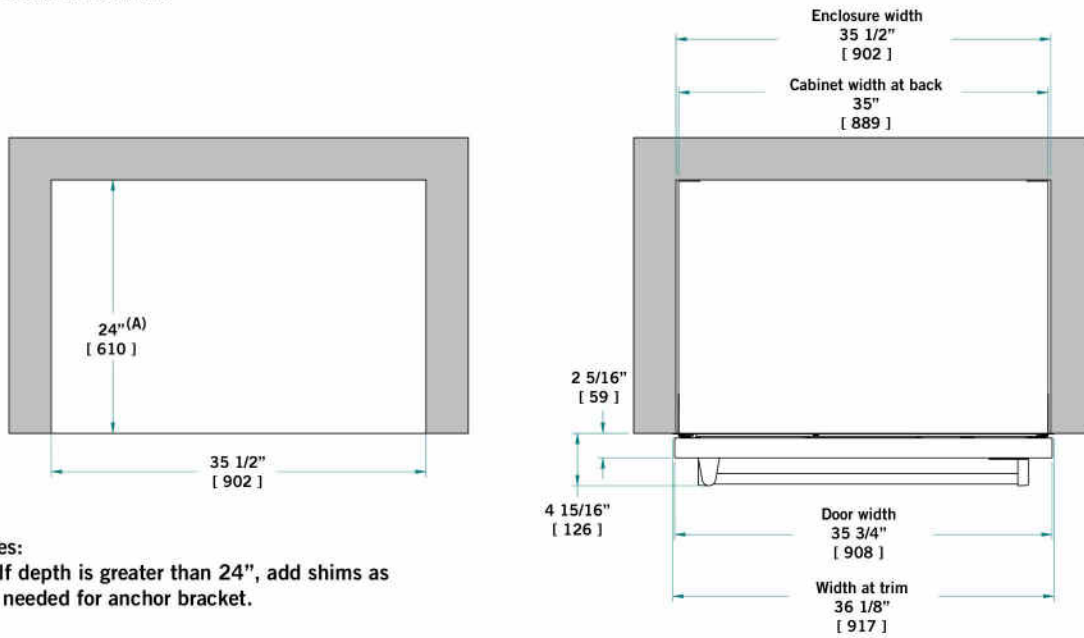
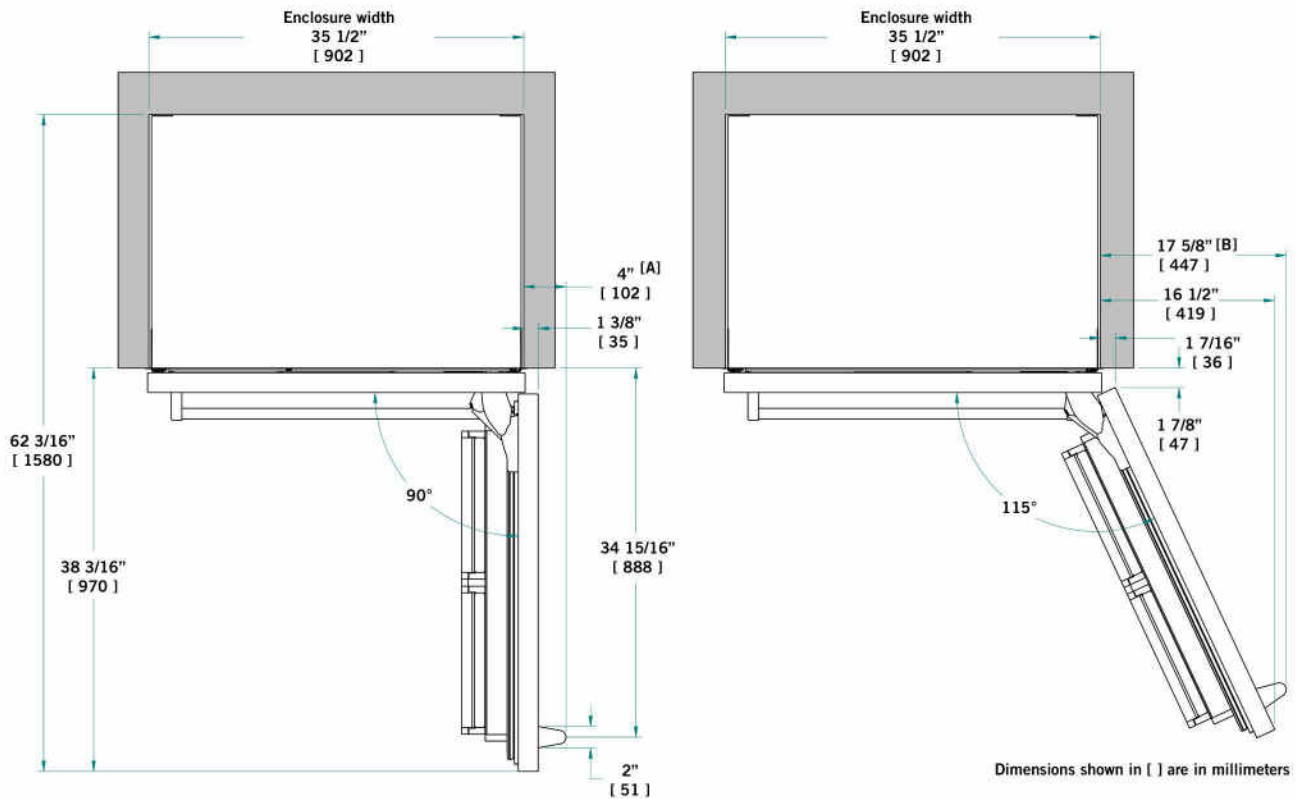


Enclosure Dimensions



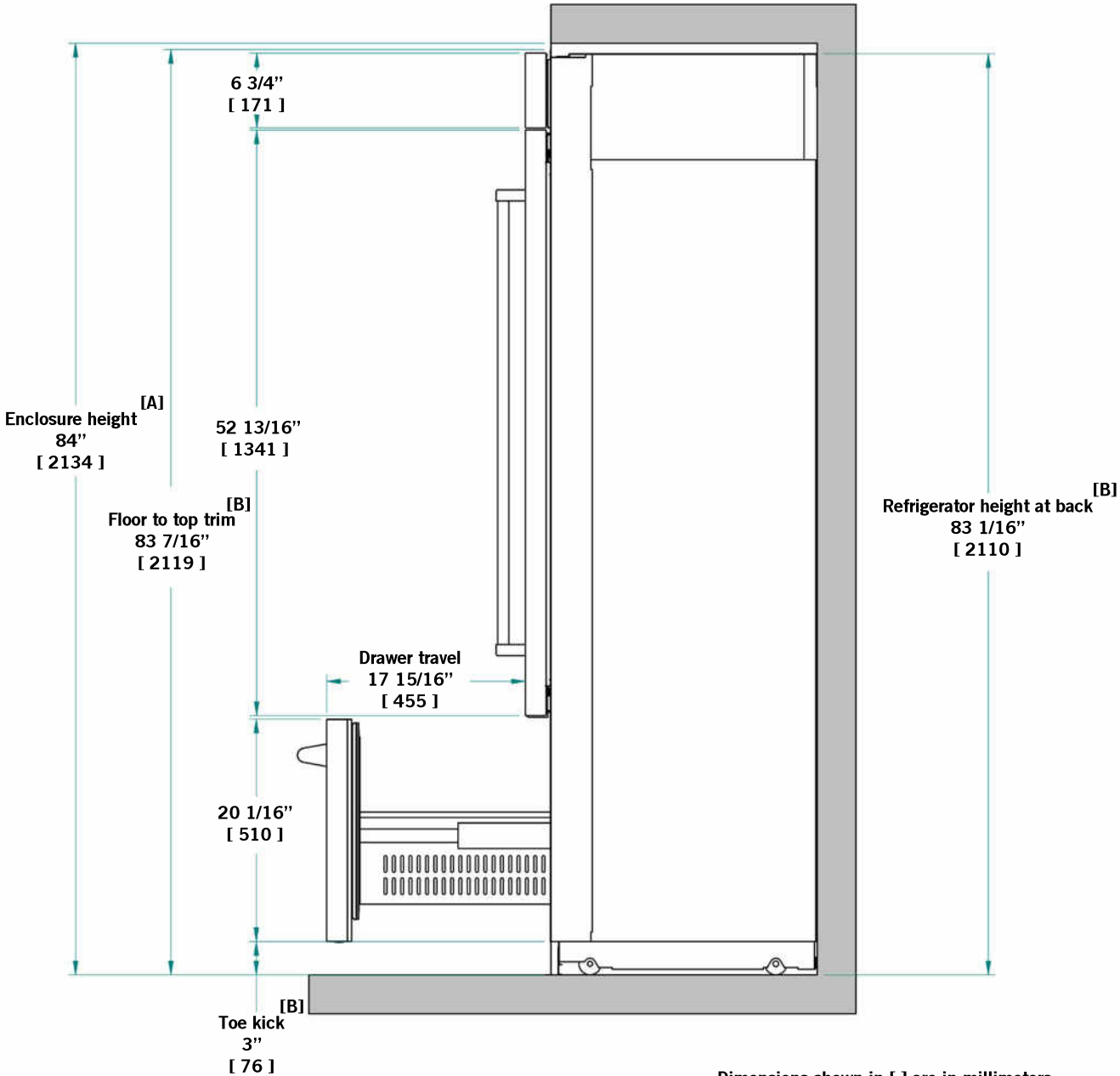
Notes:
(A) If depth is greater than 24", add shims as needed for anchor bracket.



Notes: Except where noted, dimensions shown are from enclosure to refrigerator

- (A) Recommended minimum side wall clearance of 5" for 90° door opening
- (B) Recommended minimum side wall clearance of 18 5/8" for 115° door opening

INSTALLATION DIMENSIONS STANDARD BUILT-IN INSTALL



Notes:

- (A) Recommended enclosure height based on installation method:
 - Standard built-in: 83 1/4" - 84"
- (B) Dimensions shown are with rollers in minimum position as shipped. Unit can be raised 1" max.