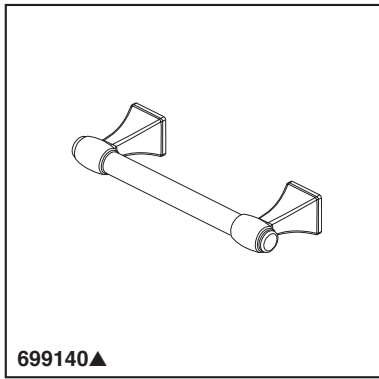


BRIZO®

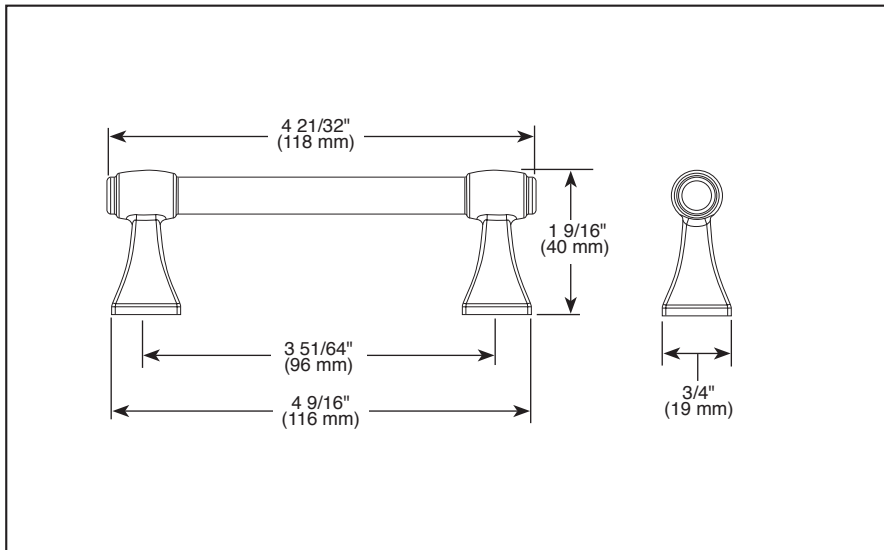
ACCESSORIES

- Vesi® Bath Collection
- Drawer Pull



Submitted Model No.: _____

Specific Features: _____



▲ Designate proper finish suffix

STANDARD SPECIFICATIONS:

- Mounting hardware included with product.
- All metal construction.

WARRANTY

- Lifetime Faucet and Finish Limited Warranty to the original consumer purchaser to be free from defects in material and workmanship.
- 5 Year Limited Warranty for usage in all industrial, commercial and business applications.