

BRIZO®

INTEGRATED SHOWER DIVERTER TRIM

- Roccesco™ Bath Collection
- MultiChoice® Valve Trim with Three Function Diverter (T755110-LHP)
- MultiChoice® Valve Trim with Six Function Diverter (T756110-LHP)

FEATURES:

- TempAssure® thermostatic valve cartridge

STANDARD SPECIFICATIONS:

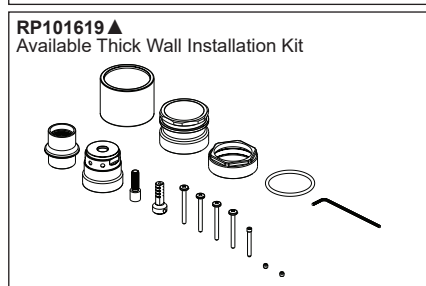
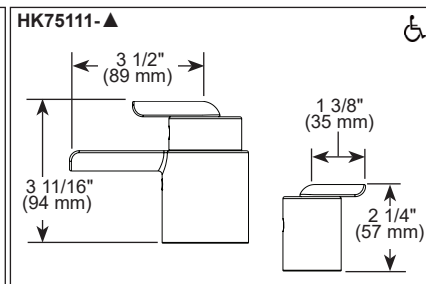
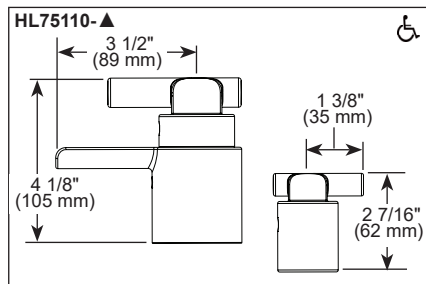
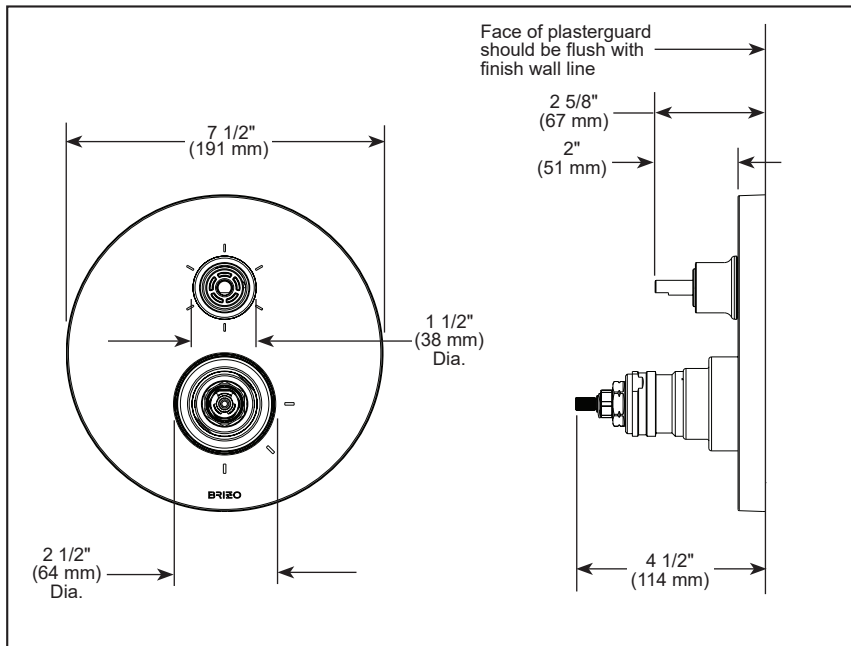
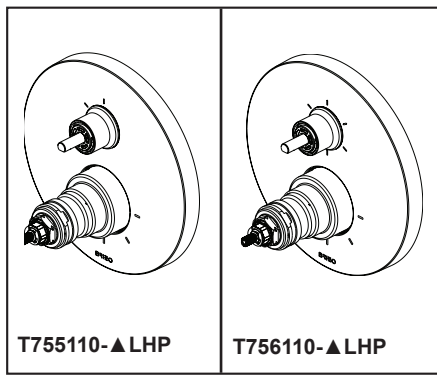
- Main control utilizes thermostatic valve cartridge
- Thermostatic wax element maintains the outlet temperature to $\pm 3.6^\circ\text{F}$
- Back-to-back installation capability
- For use with MultiChoice® Universal Integrated Shower Diverter Rough (R75000 Series)
- Max. system flow rate 7.2 gpm @ 60 psi with R75000
- Top handle controls diverter functions
- Bottom (2) handles control on/off and temperature
- Field adjustable to limit handle rotation into hot water zone
- Bottom handle 90° Maximum rotation
- Hot/cold indicator markings
- Three function diverter (T755110-▲LHP) has 2 individual positions and 1 shared position
- For two individual functions, no shared functions, order additional RP72123
- Six function diverter (T756110-▲LHP) has 3 individual positions and 3 shared positions
- For three individual functions, no shared functions, order additional RP72124
- 1/2" rough-in
- Cartridges included
- Standard installation allows up to 1 1/8" finished wall thickness
- Thick wall installation kit RP101619 ▲ can be ordered to allow for up to 2 1/8" finished wall thickness
- LHP - Less Handle Product. See handle options below

WARRANTY

- Parts and Finish - Lifetime limited warranty; or for commercial purchasers, 10 years for multi-family residential (apartments and condominiums) and 5 years for all other commercial uses, in each case from the date the product is received by the original purchaser or their authorized representative (installation contractor, etc.).
- Please go to www.brizo.com for the complete details of our limited warranty.

COMPLIES WITH:

- ASME A112.18.1/CSA B125.1
- ICC/ANSI A117.1



▲ Designate Proper Finish Suffix