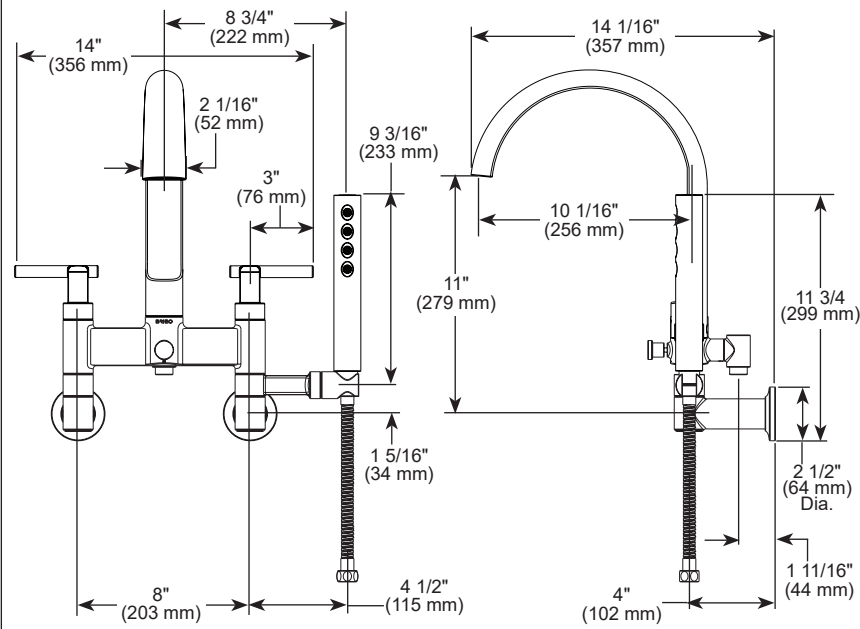


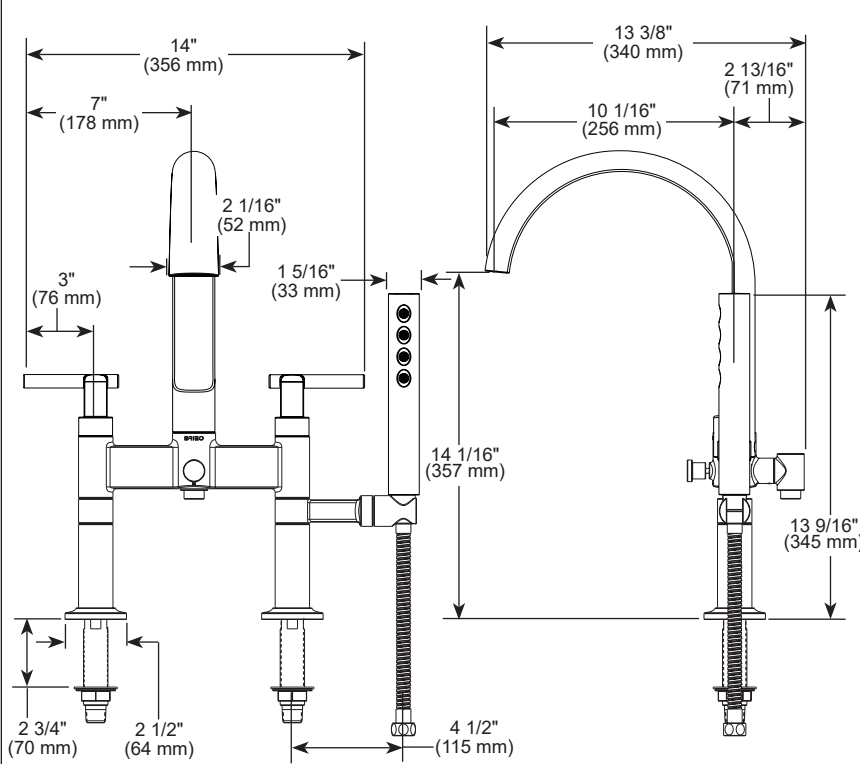
T703110-▲

T70310-▲LHP

**Wall Mount Configuration**



**Deck Mount Configuration**



**▲ Designate Proper Finish Suffix**

Brizo Kitchen & Bath Company reserves the right (1) to make changes in specifications and materials, and (2) to change or discontinue models, both without notice or obligation. Dimensions are for reference only. See current full-line price book or [www.brizo.com](http://www.brizo.com) for finish options and product availability.

# BRIZO®

## TWO HANDLE WALL, DECK, AND FLOOR MOUNT TUB FILLER

- Roccesco™ Bath Collection
- Wall, Deck or Floor Mount

**STANDARD SPECIFICATIONS:**

- Solid brass construction
- Indexing hand shower holder with 90° rotation
- 60"-82" stretchable finished metal hose
- High flow ceramic control valves
- Solid metal lever handles (90° max. rotation)
- Certified dual check valves in hand shower, 1.75 gpm @ 80 psi, 6.6 L/min @ 550 kPa
- Spout flow up to 11 gpm @ 60 psi, 45.4 L/min @ 410 kPa
- Auto resetting diverter
- Dual column design on 8" center-to-center
- Drain not included
- Insulated floor risers available to control surface condensation and heat
- Requires mounting hardware:
  - T71764-▲ wall mount unions
  - T71765-▲ deck mount risers
  - T71766-▲ floor mount risers
- Floor mount configuration requires rough-in to complete installation:
  - R70200-WS with integrated stops
  - R70200 without stops, provides maximum flow
- Optional accessory kit 695506-▲

**WARRANTY**

- Parts and Finish - Lifetime limited warranty; or for commercial purchasers, 10 years for multi-family residential (apartments and condominiums) and 5 years for all other commercial uses, in each case from the date the product is received by the original purchaser or their authorized representative (installation contractor, etc.).
- Please go to [www.brizo.com](http://www.brizo.com) for the complete details of our limited warranty.

**WARNING: Risk of personal injury.** Do not use the tub filler as a grab bar or support bar. Install this product according to the installation guide.



**COMPLIES WITH:**

- ASME A112.18.1/ CSA B125.1
- EPA WaterSense - Applies to T703110▲ only
- ICC/ANSI A117.1 - Valve control only

**Brizo Kitchen & Bath Company**

55 E. 111th Street, Carmel, Indiana 46280  
 350 South Edgeware Road, St. Thomas, ON N5P 4L1  
 © 2025 Brizo Kitchen & Bath Company

Floor Mount Configuration

