

# BRIZO®

## SENSORI® CUSTOM SHOWER TRIM

- Frank Lloyd Wright® Bath Collection by Brizo®
- Volume Control Trim

### STANDARD SPECIFICATIONS

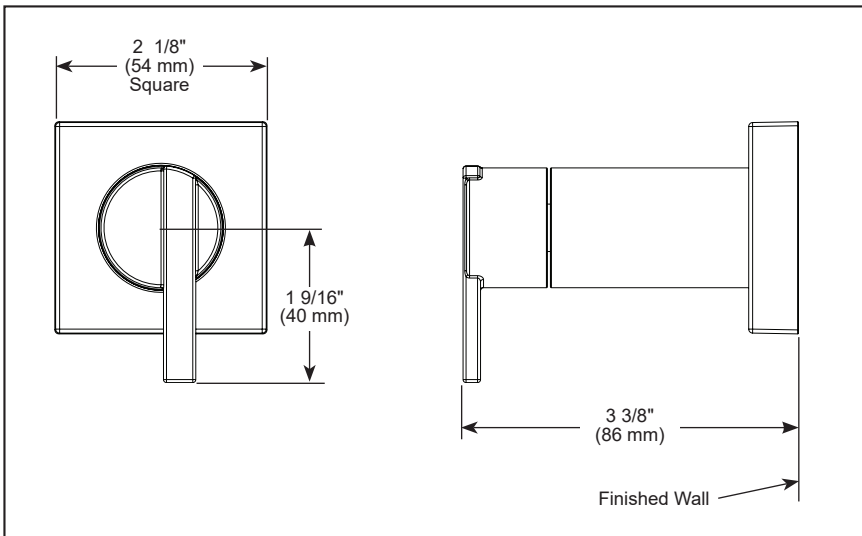
- Must also order R35600 Rough-In
- 90° handle rotation controls volume only
- Volume control flows up to 16.2 gpm @ 60 psi
- Maximum flow 8.2 gpm @ 60 psi per volume control when paired with Sensori Thermostatic trim
- Volume controls are required for every outlet and every set of body sprays (up to max flow)
- All parts are replaceable from the front
- Recommended working pressure of 45-80 psi
- Volume control only; must be used with temperature control device
- Rough can accommodate up to 3 1/4" wall thickness.  
NOTE: some applications may require stem extender RP100304.

### WARRANTY

- Parts and Finish - Lifetime limited warranty; or for commercial purchasers, 10 years for multi-family residential (apartments and condominiums) and 5 years for all other commercial uses, in each case from the date the product is received by the original purchaser or their authorized representative (installation contractor, etc.).
- Please go to [www.brizo.com](http://www.brizo.com) for the complete details of our limited warranty.

### COMPLIES WITH:

- ASME A112.18.1 / CSA B125.1
- ICC/ANSI A117.1



▲ Designate proper finish suffix