

# BRIZO®

## PRESSURE BALANCE SHOWER TRIM

- Roccesco™ Bath Collection
- Valve Trim Only

### STANDARD SPECIFICATIONS:

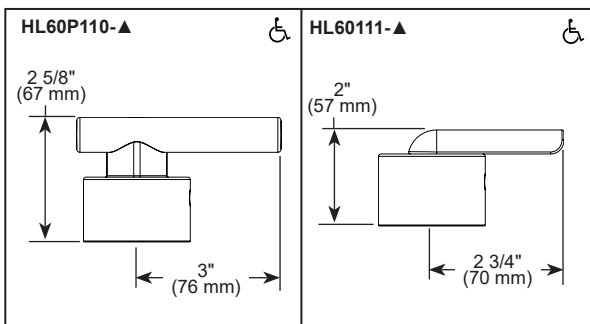
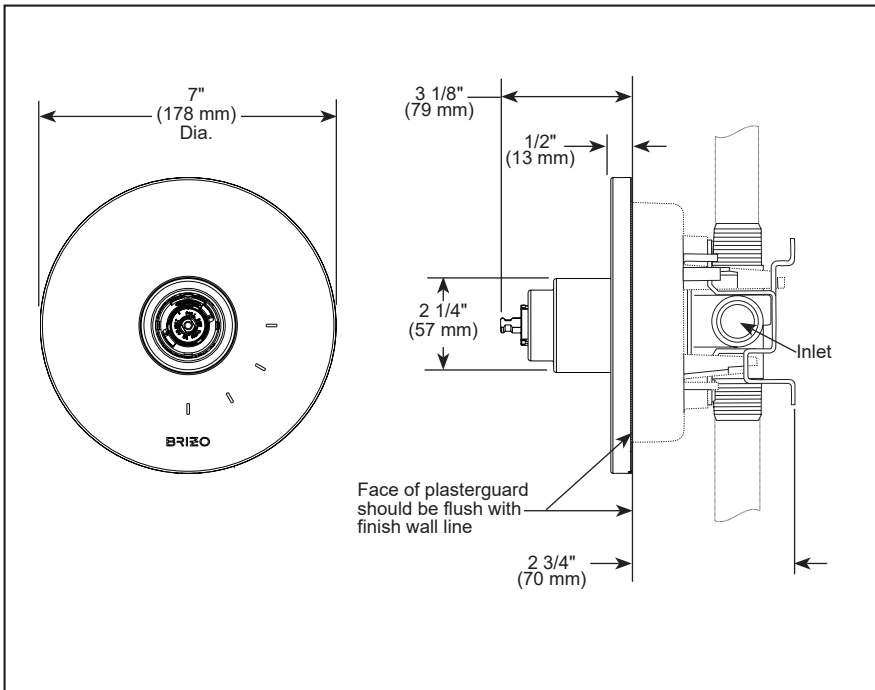
- Maintains a balanced pressure of hot and cold water even when a valve is turned on or off elsewhere in the system
- For use with MultiChoice® Universal rough valve body (R60000 Series)
- Back-to-back installation capability
- Solid brass fabricated body
- Handle controls on/off and temperature
- Field adjustable to limit handle rotation into hot water zone
- 120° maximum handle rotation
- All parts replaceable from the front of the valve
- Extension kit (RP81665) extends rough installation for up to 1 3/4" (optional, not included)
- LHP - Less Handle Product. See handle options below

### WARRANTY

- Parts and Finish - Lifetime limited warranty; or for commercial purchasers, 10 years for multi-family residential (apartments and condominiums) and 5 years for all other commercial uses, in each case from the date the product is received by the original purchaser or their authorized representative (installation contractor, etc.).
- Please go to [www.brizo.com](http://www.brizo.com) for the complete details of our limited warranty.

### COMPLIES WITH:

- ASME A112.18.1 / CSA B125.1
- ASSE 1016 / ASME A112.1016 / CSA B125.16
- ICC/ANSI A117.1



▲ Designate proper finish suffix

Brizo Kitchen & Bath Company reserves the right (1) to make changes in specifications and materials, and (2) to change or discontinue models, both without notice or obligation. Dimensions are for reference only. See current full-line price book or [www.brizo.com](http://www.brizo.com) for finish options and product availability.

BSP-B-T60P0110-LHP Rev. A

### Brizo Kitchen & Bath Company

55 E. 111th Street, Carmel, Indiana 46280  
 350 South Edgeware Road, St. Thomas, ON N5P 4L1  
 © 2025 Brizo Kitchen & Bath Company