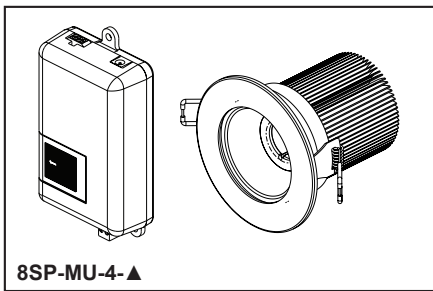
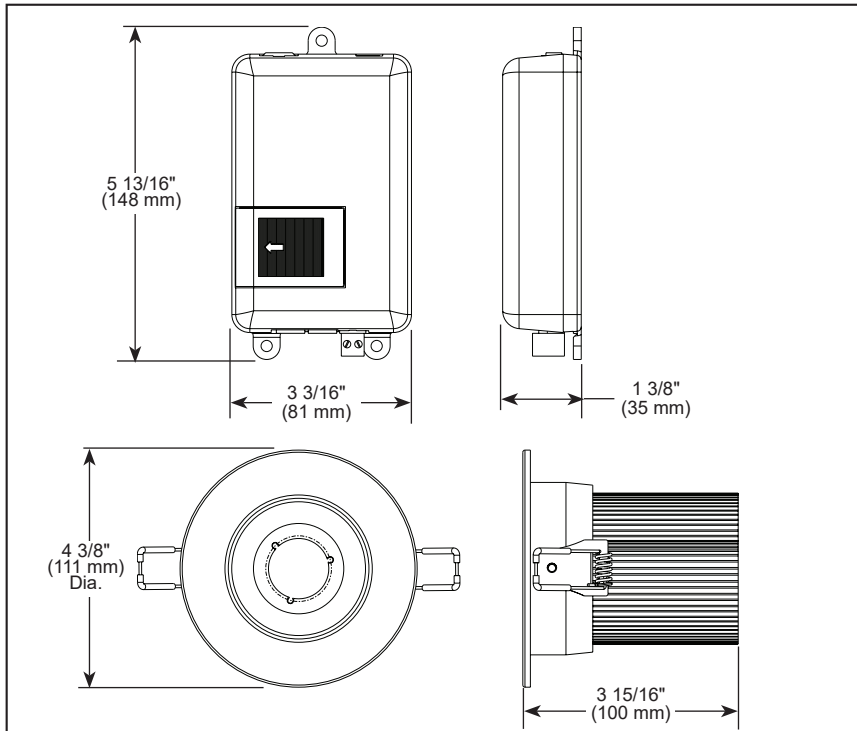


BRIZO®

CHROMATHERAPY MODULE AND TRIM RING



8SP-MU-4-▲



STANDARD SPECIFICATIONS:

- Includes chromatherapy module and light fixture with finished trim ring
- High-powered recessed LED light fixture
- System provides natural white light, equivalent to a 60-watt incandescent bulb
- System can be controlled only by the Digital Interface
- Choose from colors blue, green, pink, yellow, red, violet and white
- Fully programmable with the 8CB-600, 8CH-600 and 8CN-600 control

NOTE: This device is not compatible with the 8CH-250 model control

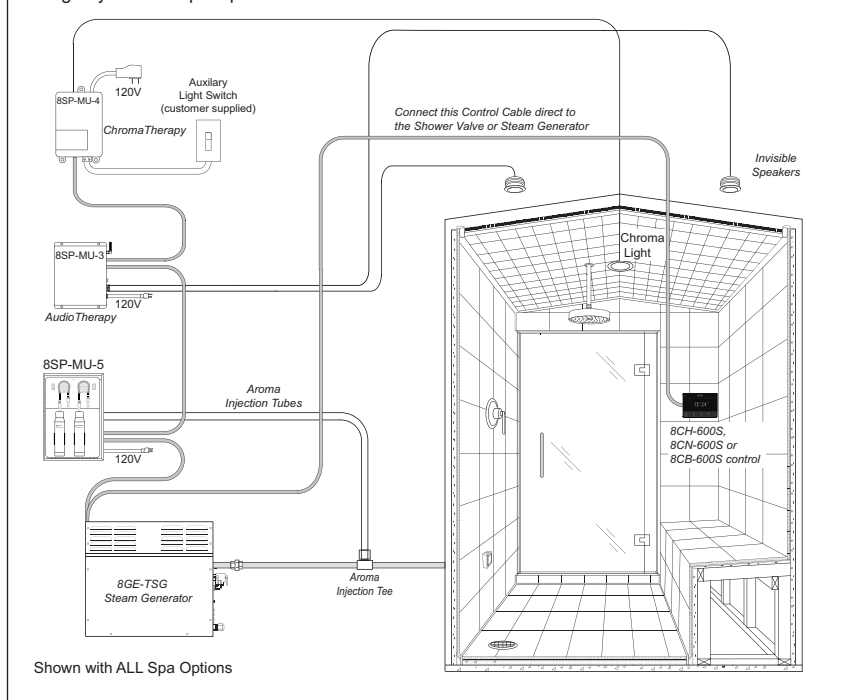
WARRANTY

- Please see separate warranty documentation

COMPLIES WITH:

- cUL Listed

Wiring Layout with Spa Options



Shown with ALL Spa Options

▲ Designate Proper Finish Suffix

Brizo Kitchen & Bath Company reserves the right (1) to make changes in specifications and materials, and (2) to change or discontinue models, both without notice or obligation. Dimensions are for reference only. See current full-line price book or www.brizo.com for finish options and product availability.

BSP-S-8SP-MU-4 Rev. A

Brizo Kitchen & Bath Company

55 E. 111th Street, Indianapolis, IN 46280
350 South Edgeware Road, St. Thomas, ON N5P 4L1
© 2023 Brizo Kitchen & Bath Company