

BRIZO®

BATHROOM FAUCET

- Odin® Collection
- Single Handle Deck Mount

FEATURES:

- SmartTouchPlus® Technology
- TempIQ® Temperature Sensing Technology

STANDARD SPECIFICATIONS

- Max flow rate 1.5 gpm @ 60 psi, 5.7 L/min @ 414 kPa, with two flow options for cold water
- Max flow rate (ECO models only) 1.2 gpm @ 60 psi, 4.5 L/min @ 414 kPa with two flow options for cold water
- One hole mount
- Spout features hidden water-efficient laminar flow aerator
- Temperature indicator LED visually indicates the temperature of the water (blue=cold, magenta=warm, red=hot)
- Electronic proportioning valve for controlling water flow and temperature
- Optional (included) insulator base required for metallic sinks
- Must order drain separately and use included plastic tailpiece

WARRANTY

- Parts and Finish - Lifetime limited warranty; or for commercial purchasers, 10 years for multi-family residential (apartments and condominiums) and 5 years for all other commercial uses, in each case from the date of purchase.
- Electronic Parts and Batteries (if applicable) - 5 years from the date of purchase; or for commercial purchasers, 1 year from the date of purchase. No warranty is provided on batteries.

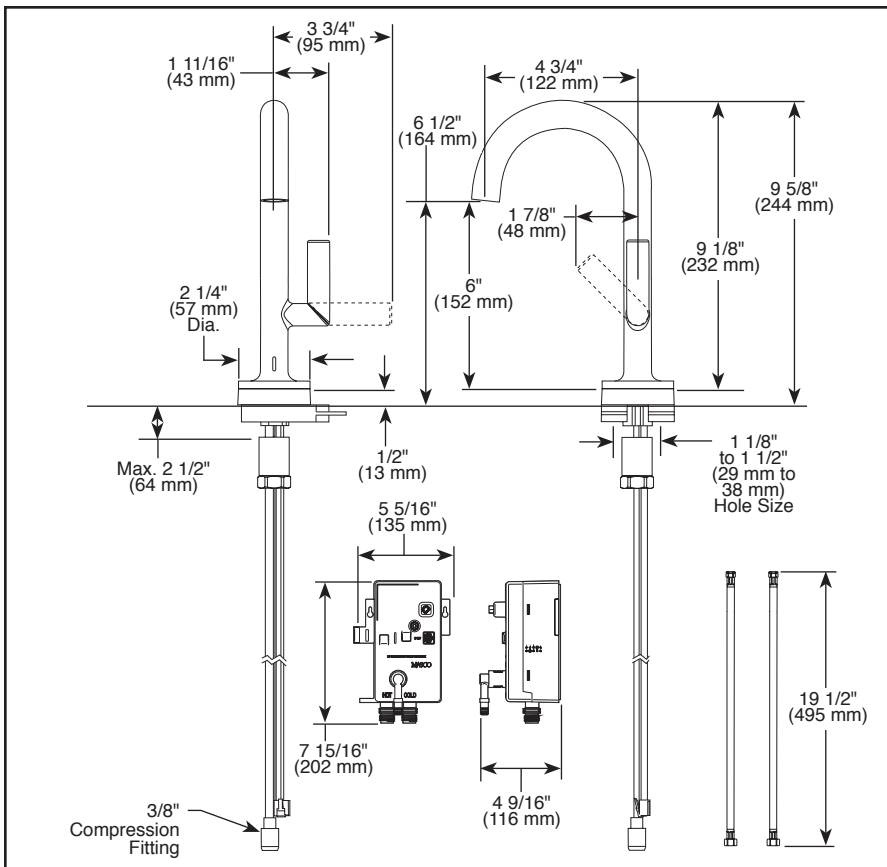


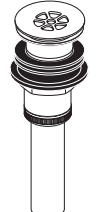


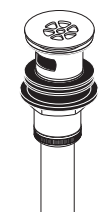

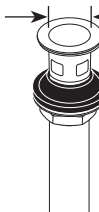
COMPLIES WITH:

- ASME A112.18.1 / CSA B125.1
- ASME A112.18.2 / CSA B125.2
- Indicates compliance to ICC/ANSI A117.1
- EPA WaterSense®
- Verified compliant with 0.25% weighted average Pb content regulations.
- ASSE 1070 temperature limiting

Submitted Model No.: _____

Specific Features: _____



<p>RP72411▲ Grid Strainer Drain less overflow holes</p> 	<p>RP72413▲ Push Button Drain less overflow holes</p> <p>← 2 3/4" (70 mm) Dia.</p> 	<p>RP81627▲ Push Button Drain less overflow holes</p> <p>← 1 5/8" (41 mm) Dia.</p> 
<p>RP72412▲ Grid Strainer Drain with overflow holes</p> 	<p>RP72414▲ Push Button Drain with overflow holes</p> <p>← 2 3/4" (70 mm) Dia.</p> 	<p>RP81628▲ Push Button Drain with overflow holes</p> <p>← 1 5/8" (41 mm) Dia.</p> 

▲ Designate proper finish suffix

Brizo Kitchen & Bath Company reserves the right (1) to make changes in specifications and materials, and (2) to change or discontinue models, both without notice or obligation. Dimensions are for reference only. See current full-line price book or www.brizo.com for finish options and product availability.
BSP-L-65675LF Rev. I

Brizo Kitchen & Bath Company
55 E. 111th Street, Indianapolis, IN 46280
350 South Edgeware Road, St. Thomas, ON N5P 4L1
© 2019 Brizo Kitchen & Bath Company