

# BRIZO®

## SINGLE HANDLE FREESTANDING TUB FILLER

- Beauclere™ Collection
- Single Handle Floor Mount

### STANDARD SPECIFICATIONS:

- Hand shower max. flow rate 1.75 gpm @ 80 psi, 6.6 L/min @ 550 kPa
- Spout flow up to 15.5 gpm @ 60 psi, 58.7 L/min @ 410 kPa
- Indexing hand shower holder
- 60"-82" stretchable finished metal hose
- High flow ceramic mixing cartridge
- Single lever handle with hot and cold indicators
- Auto resetting diverter
- Certified dual check valves in hand shower
- Floor mounted single column design
- Drain not included
- Handle sold separately
- Requires rough-in to complete installation:
  - R70100-WS with integrated stops
  - R70100 without stops, provides maximum flow

### WARRANTY

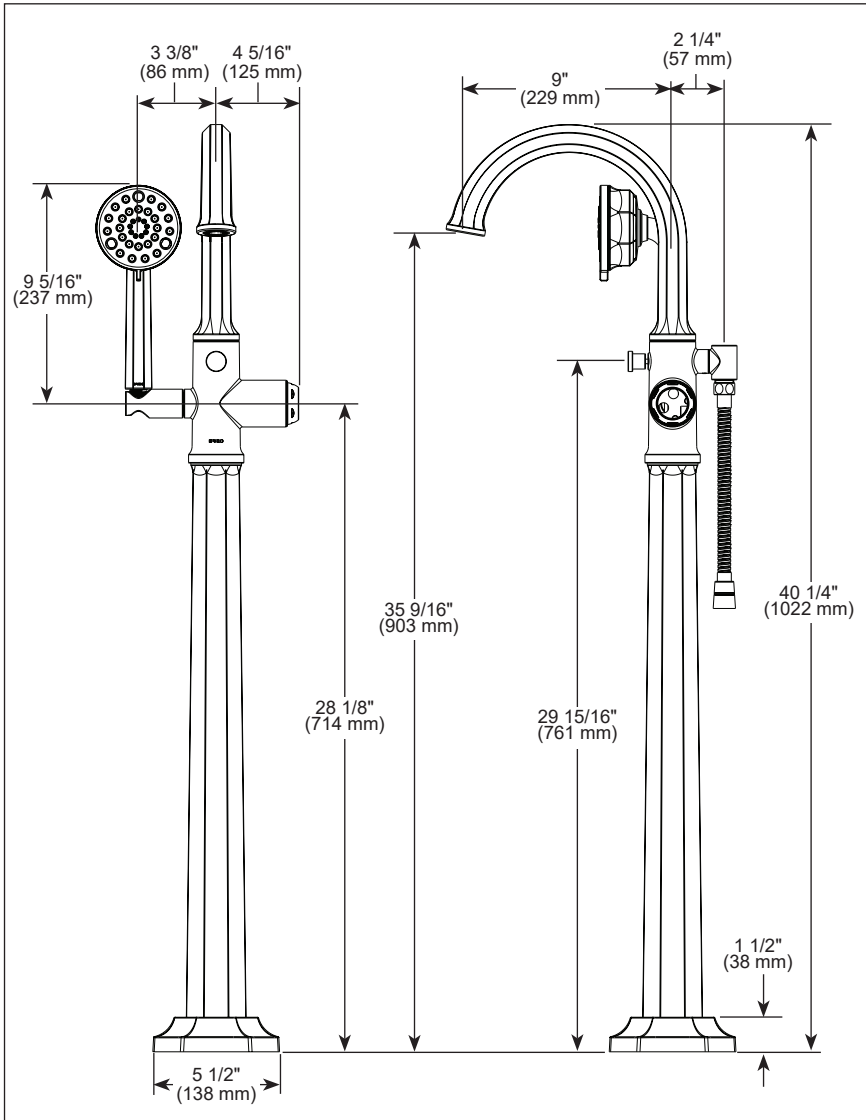
- Parts and Finish - Lifetime limited warranty; or for commercial purchasers, 10 years for multi-family residential (apartments and condominiums) and 5 years for all other commercial uses, in each case from the date the product is received by the original purchaser or their authorized representative (installation contractor, etc.).
- Please go to [www.brizo.com](http://www.brizo.com) for the complete details of our limited warranty.

**⚠ WARNING: Risk of personal injury.** Do not use the tub filler as a grab bar or support bar. Install this product according to the installation guide.

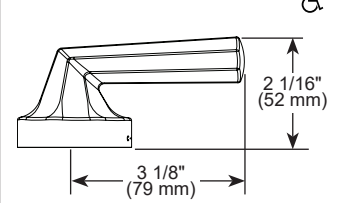


### COMPLIES WITH:

- ASME A112.18.1 / CSA B125.1
- EPA WaterSense®
- ICC/ANSI A117.1 - Valve control only



HL7065-▲ Lever Handle



▲Designate Proper Finish Suffix

Brizo Kitchen & Bath Company reserves the right (1) to make changes in specifications and materials, and (2) to change or discontinue models, both without notice or obligation. Dimensions are for reference only. See current full-line price book or [www.brizo.com](http://www.brizo.com) for finish options and product availability.

BSP-B-T70165-LHP Rev. A

### Brizo Kitchen & Bath Faucet Company

55 E. 111th Street, Carmel, IN 46280  
350 South Edgeware Road, St. Thomas, ON N5P 4L1  
© 2025 Brizo Kitchen & Bath Faucet Company