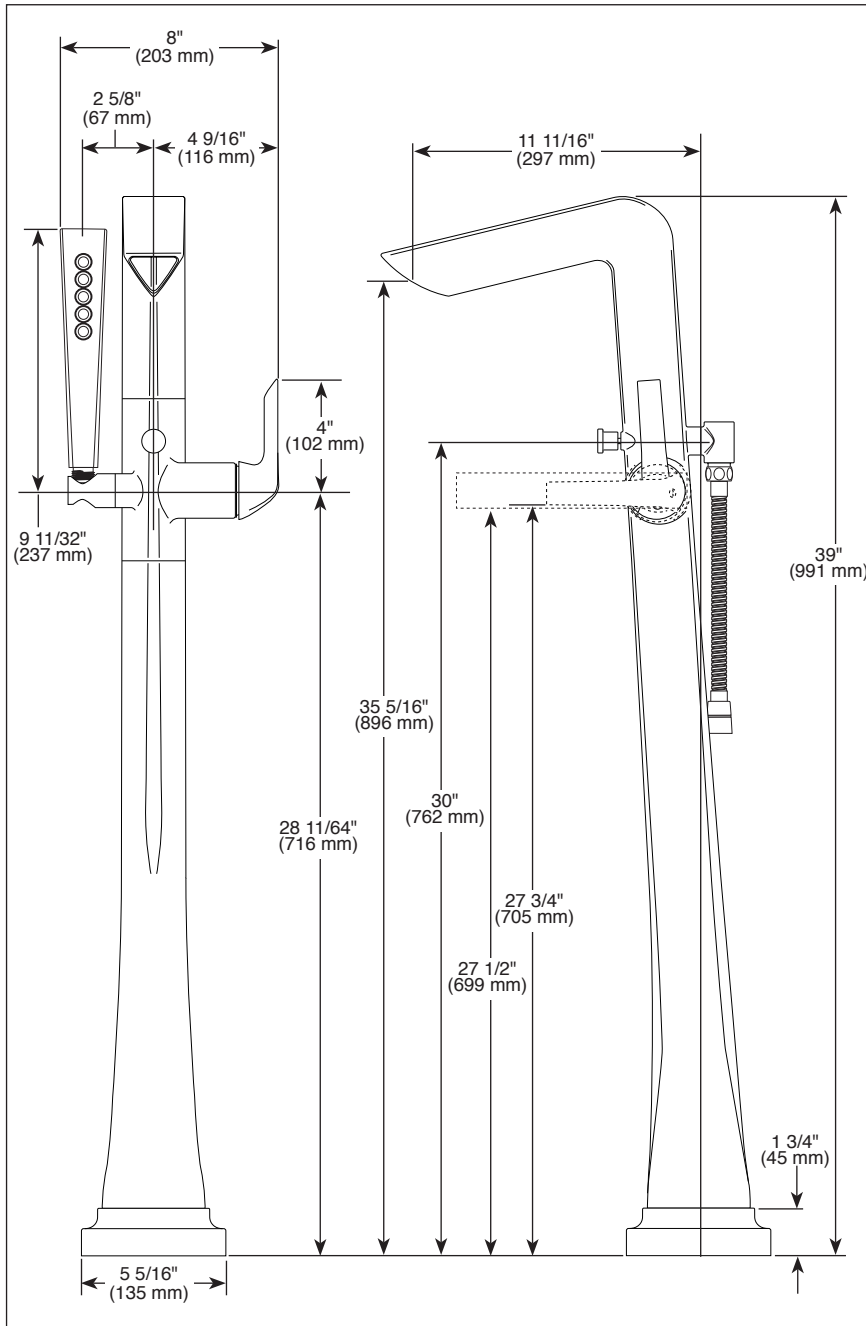


Submitted Model No.: _____

Specific Features: _____



▲ Designate Proper Finish Suffix

BRIZO®

SINGLE HANDLE FLOOR MOUNT TUB FILLER TRIM ONLY

- Sotria® Collection
- Floor Mount

FEATURES:

- H₂Okinetic Technology®

STANDARD SPECIFICATIONS:

- Maximum handshower flow rate 1.75 gpm @ 80 psi, 6.6 L/min @ 550 kPa
- Spout flow up to 15 gpm @ 60 psi, 56.7 L/min @ 410 kPa
- Indexing handshower holder
- 60"-82" stretchable finished metal hose
- High flow ceramic mixing cartridge
- Single lever handle with hot and cold indicators
- Auto resetting diverter
- Certified dual check valves in handshower
- Floor mounted single column design
- Drain not included
- Requires rough-in to complete installation:
 - R70100-WS with integrated stops
 - R70100 without stops, provides maximum flow

WARRANTY

- Parts and Finish - Lifetime limited warranty; or for commercial purchasers, 10 years for multi-family residential (apartments and condominiums) and 5 years for all other commercial uses, in each case from the date of purchase.
- Electronic Parts and Batteries (if applicable) - 5 years from the date of purchase; or for commercial purchasers, 1 year from the date of purchase. No warranty is provided on batteries.

⚠ WARNING: Risk of personal injury. Do not use the tub filler as a grab bar or support bar. Install this product according to the installation guide.



COMPLIES WITH:

- ASME A112.18.1 / CSA B125.1
- Indicates compliance to ICC/ANSI A117.1 - Valve control only
- EPA WaterSense®