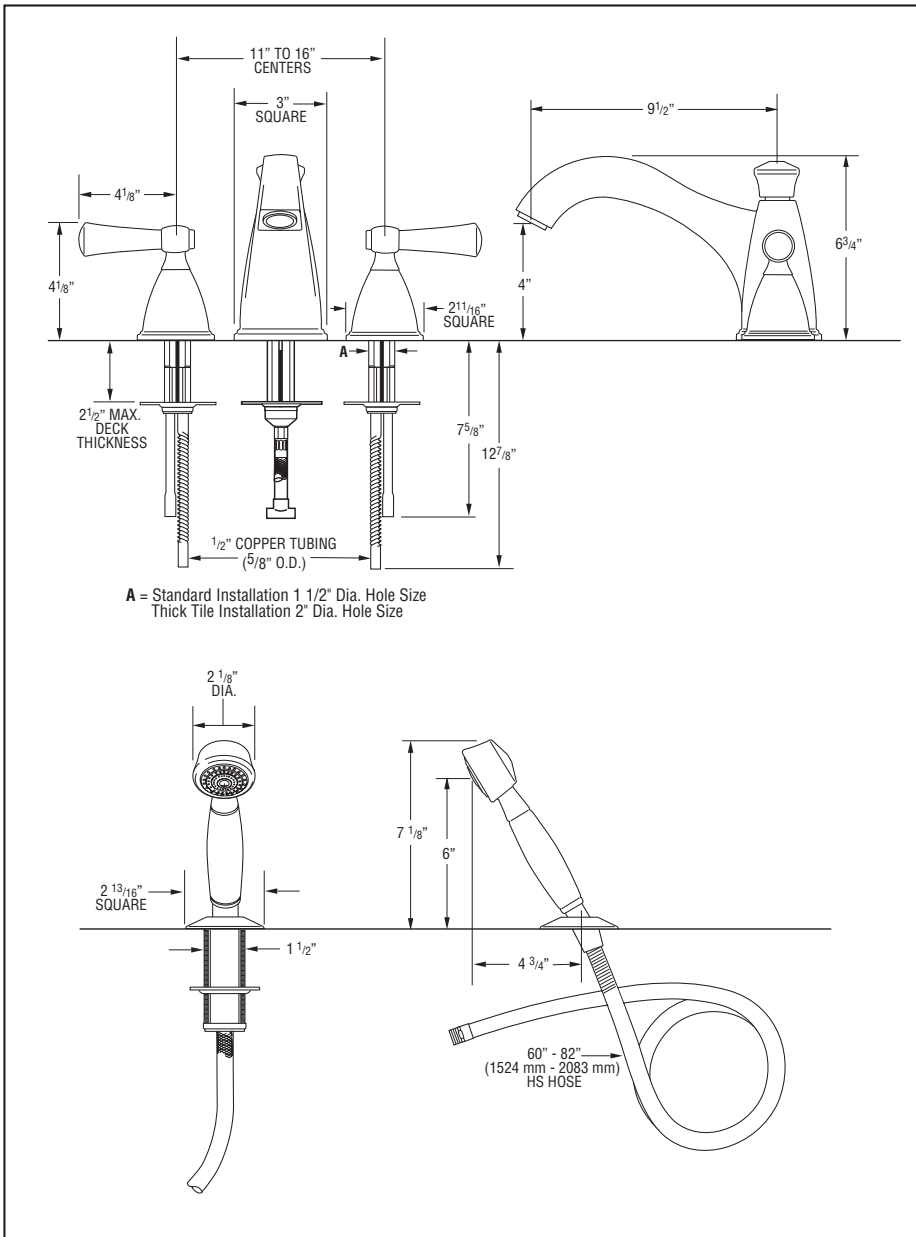


Submitted Model No.: \_\_\_\_\_

Specific Features: \_\_\_\_\_



A = Standard Installation 1 1/2" Dia. Hole Size  
Thick Tile Installation 2" Dia. Hole Size

▲ Designate Proper Finish Suffix

# BRIZO®

## BATH VALVES

- Vesi® Collection Curved Spout
- Two-Handle Roman Tub Valve Trim
- Flexible Deck or Ledge Mount
- Ceramic Disc Valving
- Adjustable Rough-In (R64707) for Thin or Thick Deck Installations Must be Ordered Separately

### STANDARD SPECIFICATIONS:

- Four hole mount
- Roman tub valve
- Valve mechanism shall be of the rotating cylinder type with 180° rotation
- Ceramic disc valving
- Adjustable rough-in for thick and thin deck installations
- Handshower has two integral check valves for backflow protection
- Handshower max flow rate 1.75 gpm @ 80 psi, 6.6 L/min @ 550 kPa
- Rough-in kit (R64707) must be ordered to complete installation

### WARRANTY

- Parts and Finish - Lifetime limited warranty; or for commercial purchasers, 10 years for multi-family residential (apartments and condominiums) and 5 years for all other commercial uses, in each case from the date of purchase.
- Electronic Parts and Batteries (if applicable) - 5 years from the date of purchase; or for commercial purchasers, 1 year from the date of purchase. No warranty is provided on batteries.



### COMPLIES WITH:

- ASME A112.18.1 / CSA B125.1
- Indicates compliance to ICC/ANSI A117.1- Valve control only
- EPA WaterSense®