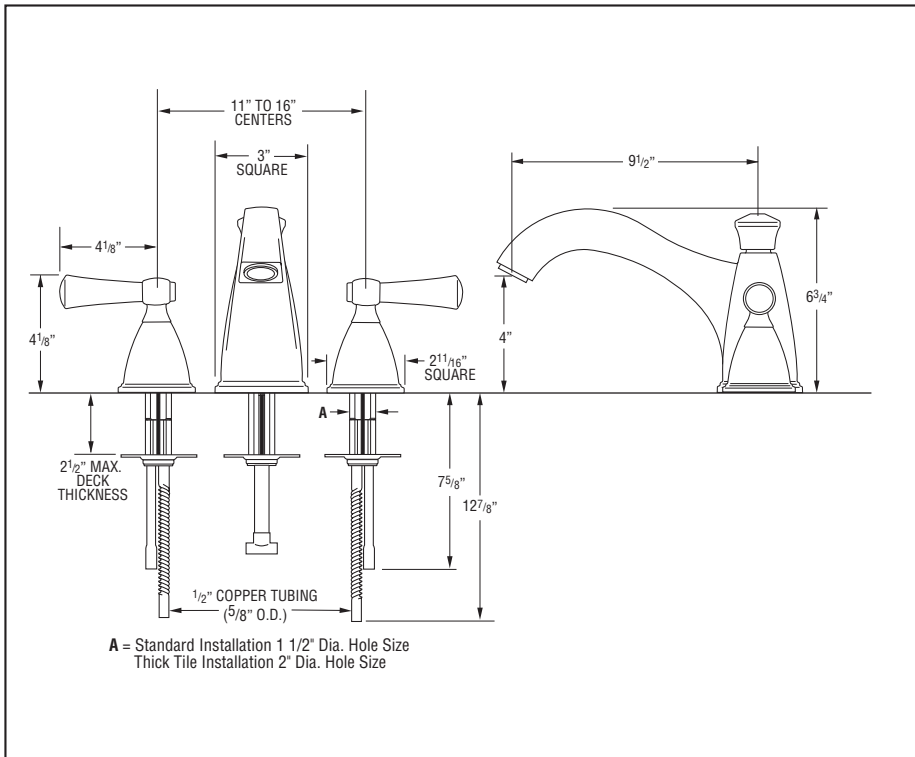


T6740▲

Submitted Model No.: _____

Specific Features: _____



▲ Designate proper finish suffix

BRIZO®

BATH VALVES

- Vesi® Collection Curved Spout
- Two-Handle Roman Tub Valve Trim
- Flexible Deck or Ledge Mount

STANDARD SPECIFICATIONS:

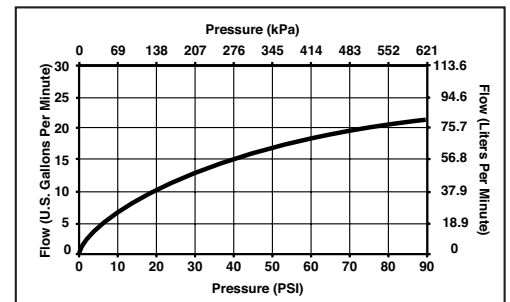
- Three hole installation
- Valve mechanism shall be of the rotating cylinder type with 180° rotation
- Ceramic disc valving
- Hot and cold stem units shall be interchangeable
- All operating parts shall be replaceable from the top
- Adjustable rough-in for thick and thin deck installations (R62707) must be ordered separately

WARRANTY

- Lifetime limited warranty on parts (other than electronic parts and batteries) and finishes: or, for commercial users, for 5 years from date of purchase.
- 5 year limited warranty on electronic parts (other than batteries); or, for commercial users, for 1 year from the date of purchase. No warranty is provided on batteries.

COMPLIES WITH:

- ASME A112.18.1 / CSA B125.1
- ☐ Indicates compliance to ICC/ANSI A117.1



Brizo Kitchen & Bath Company reserves the right (1) to make changes in specifications and materials, and (2) to change or discontinue models, both without notice or obligation. Dimensions are for reference only. See current full-line price book or www.brizo.com for finish options and product availability.

Brizo Kitchen & Bath Company

Indianapolis, Indiana 46280
A Division of Masco Corporation of Indiana
© 2015 Brizo Kitchen & Bath Company