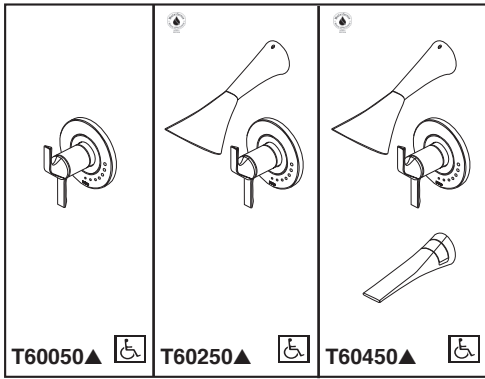


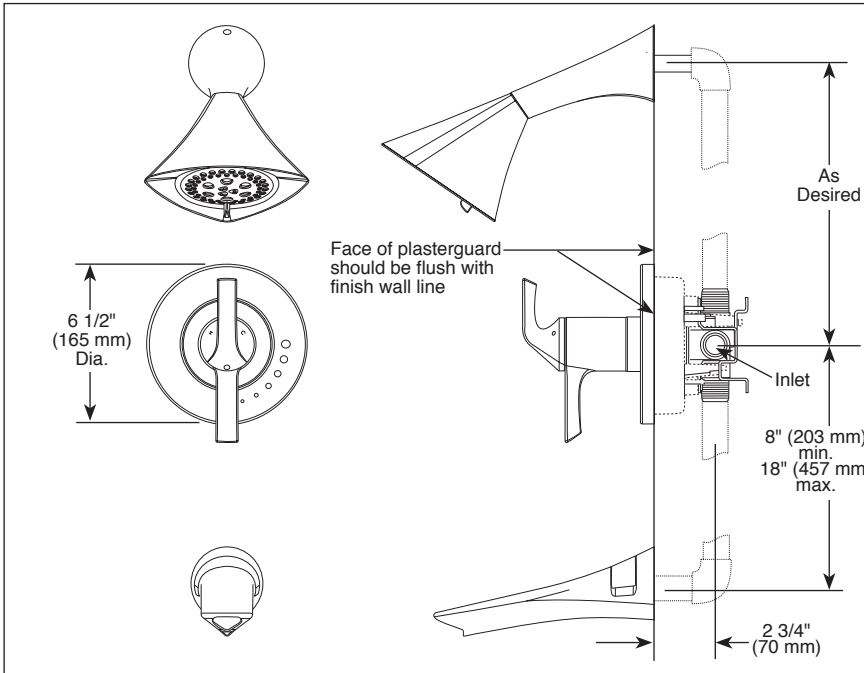
BRIZO®

TUB AND SHOWER FAUCET TRIM



Submitted Model No.: _____

Specific Features: _____



- Sotria™ Bath Collection
- TempAssure® Thermostatic
- Valve Only (T60050)
- Shower Only (T60250)
- Tub/Shower (T60450)

FEATURES:

- TempAssure® thermostatic valve cartridge

STANDARD SPECIFICATIONS:

- Thermostatic wax element maintains the outlet temperature to $\pm 3.6^{\circ}\text{F}$
- Must also order MultiChoice® Universal rough valve body (R60000 Series)
- Back-to-back installation capability
- Lever volume control handle; temperature adjustment lever
- Graphics indicate hot/cold temperature adjustment
- Field adjustable to limit handle rotation into hot water zone
- All parts replaceable from the front of the valve
- Adjusts for up to 1" wall thickness. Optional extension kit (RP74785) extends rough installation up to 1 3/4"
- Tool for showerhead to showerarm assembly provided
- Decorative, cast brass showerarm and tub spout with integrated pull-up diverter
- Multi-function showerhead featuring H₂Okinetic Technology; 1.75 gpm @ 80 psi, 6.6 L/min @ 550 kPa

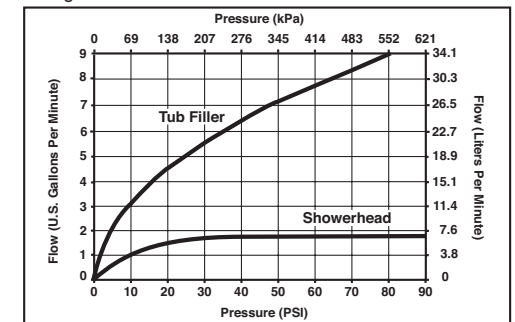
WARRANTY

- Lifetime limited warranty on parts (other than electronic parts and batteries) and finishes: or, for commercial users, for 5 years from date of purchase.
- 5 year limited warranty on electronic parts (other than batteries); or, for commercial users, for 1 year from the date of purchase. No warranty is provided on batteries.

COMPLIES WITH:

- ASME A112.18.1 / CSA B125.1
- ICC/ANSI A117.1 - Valve control only
- EPA WaterSense®

Using R60000-UNBX:



For additional flow rate information reference the Brizo price book.

87450▲ 1.75 GPM Showerhead

Full Spray

Full Spray w/Massage

Massaging Spray

Pause

H₂Okinetic Technology®

RP75722▲ Shower Arm

RP74785 Available Extension Kit

RP74644▲ (Pull-Up Diverter)

RP74646▲ (Non-Diverter)

▲ Designate proper finish suffix

Brizo Kitchen & Bath Company reserves the right (1) to make changes in specifications and materials, and (2) to change or discontinue models, both without notice or obligation. Dimensions are for reference only. See current full-line price book or www.brizo.com for finish options and product availability.