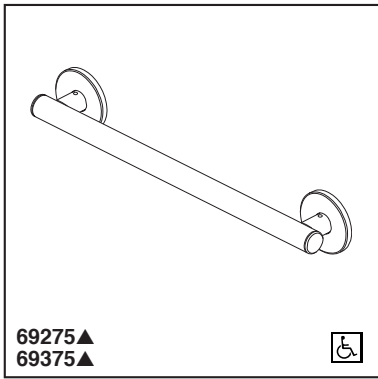


BRIZO®

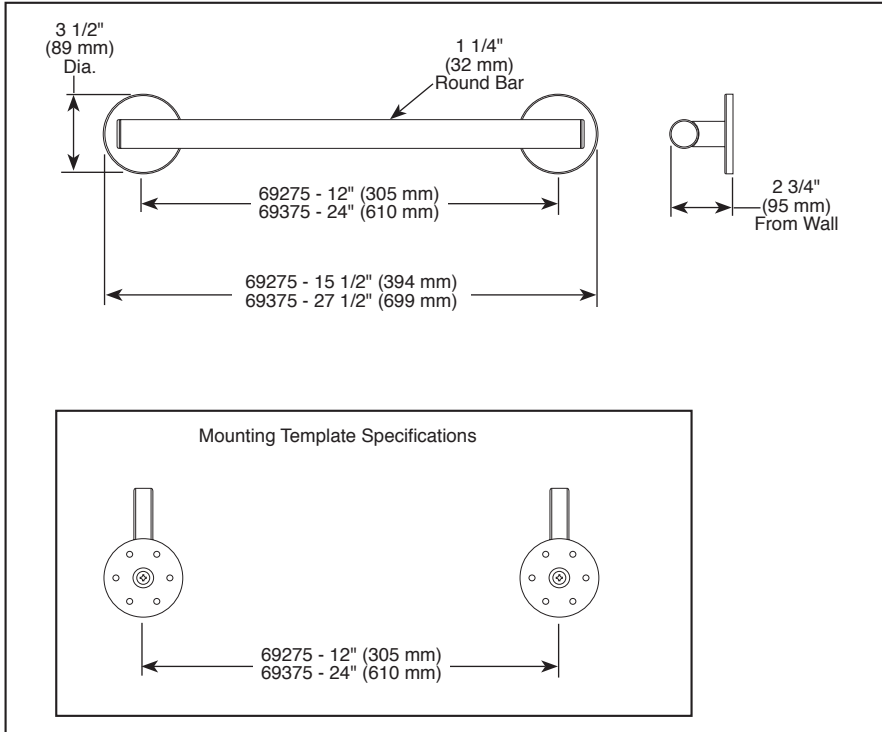
ACCESSORIES

- Contemporary Design
- Meets ADA Standards
- 12" Grab Bar
- 24" Grab Bar



Submitted Model No.: _____

Specific Features: _____



▲ Designate Proper Finish Suffix

STANDARD SPECIFICATIONS:

- Wood blocking is preferable behind all wall surfaces. If wood blocking is not available, the supplied fasteners are recommended.
- Mounting hardware and mounting template included with product.
- Decorative ADA compliant grab bar.

WARRANTY

- Lifetime Faucet and Finish Limited Warranty to the original consumer purchaser to be free from defects in material and workmanship.
- 5 Year Limited Warranty for usage in all industrial, commercial and business applications.

COMPLIES WITH:

 Indicates compliance to ICC/ANSI A117.1