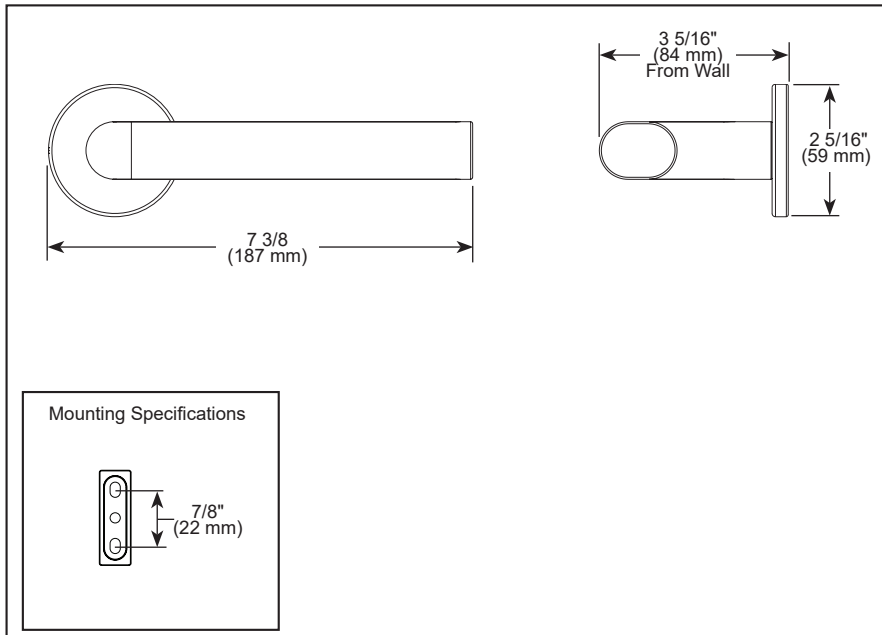
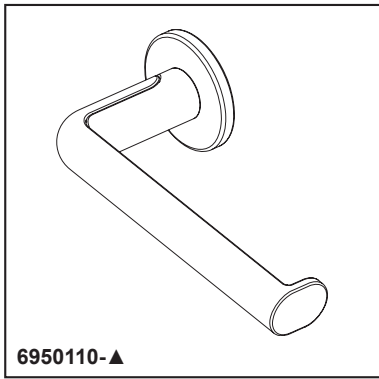


BRIZO®

ACCESSORIES

- Roccesco™ Bath Collection
- Tissue Holder

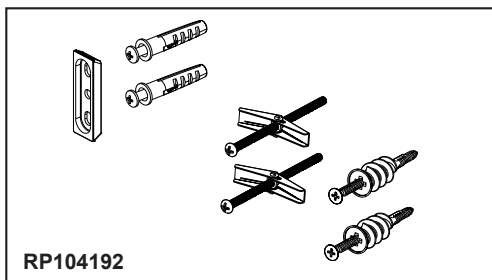


STANDARD SPECIFICATIONS:

- Wood blocking is preferable behind all wall surfaces. If wood blocking is not available, try finding a wood stud to anchor this accessory.
- Mounting hardware and mounting instructions included with product.
- Note: Plastic anchors, screw, toggle bolts, and mounting brackets are included with the mounting hardware.
- All metal construction
- Can be adapted for right, left or vertical installation

WARRANTY

- Parts and Finish – Lifetime limited warranty; or for commercial purchasers, 10 years for multi-family residential (apartments and condominiums) and 5 years for all other commercial uses, in each case from the date the product is received by the original purchaser or their authorized representative (installation contractor, etc.).
- Please go to www.brizo.com for the complete details of our limited warranty.



▲ Designate proper finish suffix

