



Series/Series/Seria
Roccesco™

Model Number: _____
Número del modelo
Numéro de modèle

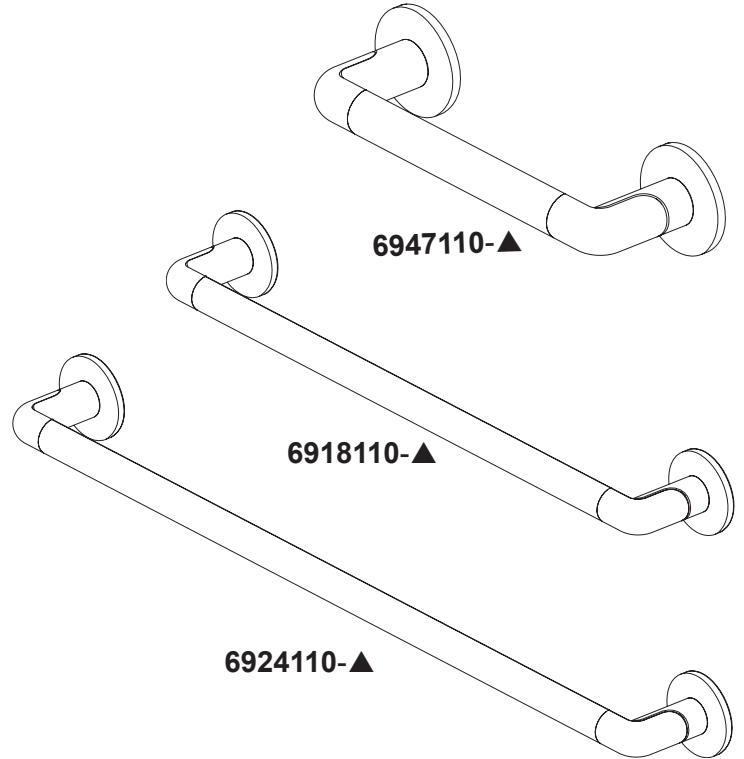
Date of Purchase: _____
Fecha de compra
Date d'achat

Register Online
Regístrese en línea
S'enregistrer en ligne
www.brizo.com/customer-support/product-registration

To reference replacement parts and access additional technical documents and product info, visit www.brizo.com

Para referencia sobre las piezas de repuesto y acceder a documentos técnicos adicionales e información del producto, visite www.brizo.com

Pour obtenir la référence des pièces de rechange ainsi que pour avoir accès à d'autres documents techniques et renseignements sur le produit, allez à www.brizo.com



1-877-345-BRIZO (2749)
www.brizo.com/customer-support

Read all instructions prior to installation.

⚠ CAUTION

Failure to read these instructions prior to installation may result in personal injury, property damage, or product failure. Manufacturer assumes no responsibility for product failure due to improper installation.

Lea todas las instrucciones antes de hacer la instalación.

⚠ ADVERTENCIA

El no leer estas instrucciones de instalación puede resultar en lesiones personales, daños a la propiedad, o falla en el funcionamiento del producto. El fabricante no asume ninguna responsabilidad por la falla del producto debido a una instalación incorrecta.

Veuillez lire toutes les instructions avant l'installation.

⚠ AVERTISSEMENT

L'omission de lire les présentes instructions avant l'installation peut entraîner des blessures, des dommages matériels ou le bris du produit. Le fabricant se dégage de toute responsabilité à l'égard d'un bris du produit causé par une mauvaise installation.

⚠ WARNING

This item not designed for use as a grab bar. Do not mount in locations where product is likely to be used as a grab bar. Use caution when drilling into walls to avoid drilling into electrical and plumbing lines hidden within wall.

⚠ ADVERTENCIA

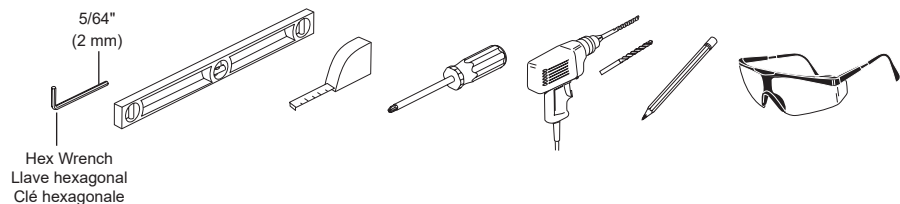
Este item não foi desenhado para ser utilizado como barra de elevações. Não monte em locais onde o produto possa ser utilizado como barra de elevações. Tenha cuidado quando perfurar em paredes de modo a evitar furar as linhas eléctricas e canalizações dentro das paredes.

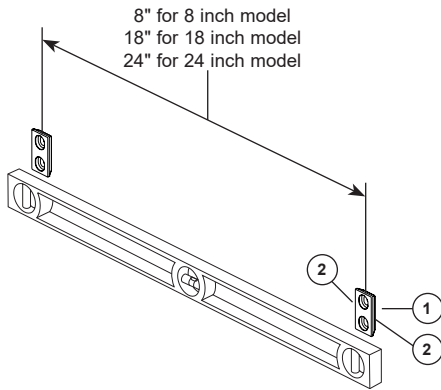
⚠ MISE EN GARDE

Ce produit ne convient pas aux mains courantes. Ne pas installer là où le produit peut être utilisé comme une main courante. Lorsque vous percez des trous dans le mur, faites attention de ne pas entrer dans les fils et les tuyaux cachés dans le mur.

▲ Specify Finish / Especificar el Acabado / Précisez le Fini

You may need:
Usted puede necesitar:
Articles dont vous pouvez avoir besoin :



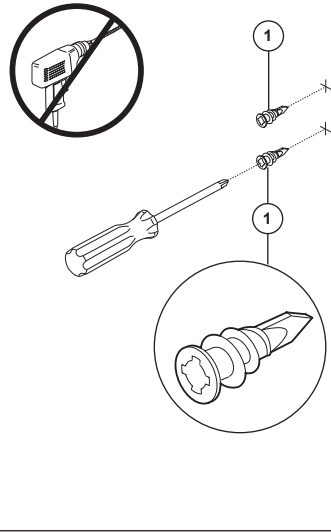
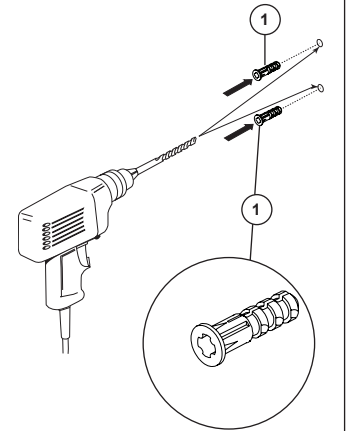
1

NOTE: If possible, it is best to mount at least one end of your towel bar into a wall stud or blocking. Try to locate a wall stud with a stud finder or by tapping on the wall.

Place mounting bracket (1) in the desired location. Ensure the mounting bracket is level; then, mark the position of the holes (2) on the wall. Repeat for 2nd mounting bracket, spaced as noted above.

NOTA: Si es posible, es mejor montar al menos un extremo de su toallero en un montante o bloque de pared. Trate de ubicar un entramado con un detector de entramados o golpeando la pared. Coloque el abrazadera de montaje (1) en el sitio deseado. Asegúrese que el abrazadera de montaje está nivelado; luego, marque la posición de los agujeros (2) en la pared. Repita con el segundo perno e instalación, separados como se indica arriba.

REMARQUE : Si possible, il est préférable d'en monter au moins une extrémité de votre porte-serviettes dans un montant mural ou un blocage. Essayez de trouver un montant à l'aide d'un localisateur de montants ou en tapotant sur le mur. Placez le support de montage (1) à l'endroit voulu. Assurez-vous qu'il est de niveau, puis marquez la position des trous (2) sur le mur. Répétez les étapes pour l'installation du 2e abrazadera de fixation en respectant l'espacement indiqué ci-dessus.

2**For Drywall****For Tile or Solid Walls**

If you were able to locate a wall stud or blocking for one or both ends to mount your towel bar, drill 1/8" (3mm) holes and mount the mounting bracket with the two screws provided. (Skip to step 4 if both mounting brackets were mounted into wall studs or blocking.)

For drywall - Use a crosshead screwdriver to insert the anchors (1). Push and turn the anchors in a clock-wise direction until flush with the wall surface. Do Not Drill.

For tile or solid walls - Try to locate the mounting hole locations on a grout line. If mounting into ceramic tile or solid surface, place masking tape on the mounting area before marking the location to prevent the drill bit from sliding. To drill through ceramic tile, obtain a 1/4" diameter carbide drill bit. Drill 1/4" diameter holes where indicated. Push in anchors (1) until flush with walls.

Note: Hollow doors may require molly or toggle bolts, which are included with this product.

Si pudo ubicar un montante de pared o un bloqueo para uno o ambos extremos para montar la barra de toalla, taladre agujeros de 1/8" (3mm) e instale el abrazadera de instalación con los dos tornillos incluidos. (Continúe con el paso 4 si ambos soportes de montaje se montaron en los montantes de la pared).

Para muros en seco - Use un destornillador cruceta para introducir los soportes (1). Empuje y gire los soportes en dirección de las manecillas del reloj hasta que queden al ras con la superficie de la pared. No taladre.

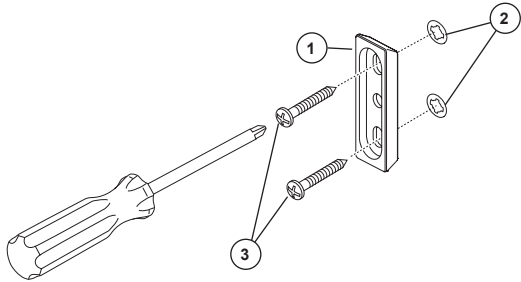
Para losas y paredes sólidas - Trate de ubicar los sitios para los agujeros de instalación/montaje en la línea del enluchado. Si va a instalar en losa de cerámica o una superficie sólida, coloque cinta adhesiva en el área donde va a hacer la instalación antes de marcar la ubicación para prevenir que la broca de la perforadora no se resbale. Para perforar en losa de cerámica, obtenga una broca de perforar con punta de carburo de 1/4". Perfore agujeros de 1/4" donde indicado. Presione las anclas (1) hacia adentro hasta que queden al ras con las paredes. **Nota: Huecas podrán requerir sujetador o pernos de palanca, que se incluyen con este producto.**

Si vous avez réussi à localiser un montant mural ou un blocage pour une ou les deux extrémités pour monter votre porte-serviettes, percez des trous de 1/8 po (3mm) et montez support de fixation à l'aide des deux vis no fournies. (Passez à l'étape 4, si les deux éléments de fixation sont ancrés dans des montants).

Dans le placoplâtre - À l'aide d'un tournevis traverse, introduisez les ancrages (1). Enfoncez les ancrages et tournez-les dans le sens horaire jusqu'à ce qu'ils se trouvent à égalité de la surface du mur. Ne faites pas de trous à la perceuse.

Dans les carreaux ou les murs pleins - Trouvez l'emplacement des trous de montage dans la mesure du possible. Si vous installez votre accessoire sur un carreau de céramique ou sur une surface dure, placez du ruban cache sur la zone où sera fixé l'accessoire avant de marquer l'emplacement des trous pour éviter que le foret ne glisse. Pour percer des trous dans un carreau de céramique, utilisez un foret au carbure de 1/4 po. Percez des trous de 1/4 po aux endroits indiqués. Insérez les ancrages de plastique (1) en poussant jusqu'à ce qu'ils soient bien appuyés contre le mur.

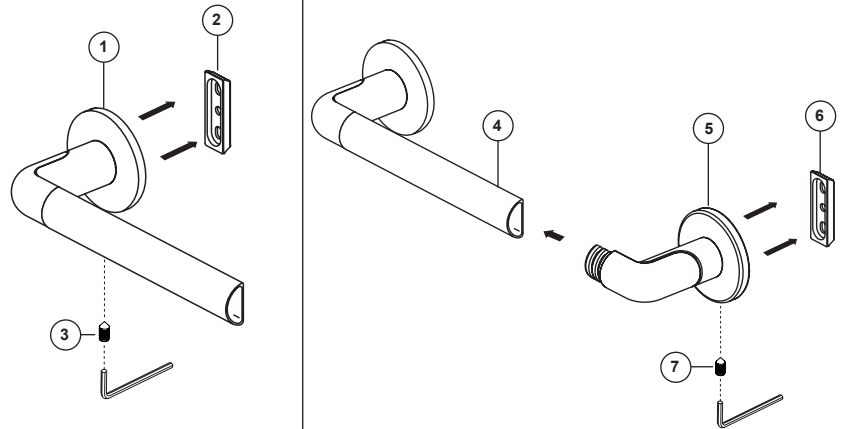
Note : Les portes creuses, il peut être nécessaire d'utiliser les boulons Molly ou les boulons à ailettes fournis avec ce produit.

3

With the mounting bracket (1) oriented as shown, place it over the installed anchors (2) and attach with two screws (3). Repeat for second mounting bracket.

Con el abrazadera de fijación (1) orientado como se muestra, colóquelo sobre las anclas instaladas (2) y los tornillos (3). Repita el procedimiento para el segundo abrazadera de montaje.

Orientez le support (1) comme le montre la figure et placez-le sur les ancrages installés (2) et montez les vis (3). Montez le deuxième support de la même manière.

4

Position body (1) over mounting bracket (2) and tighten set screw (3). (Set screw should be on the bottom of body.) Place one end of the towel bar (4) into the second body (5), and place the other end of the bar into the first body (1). Slide the second body over the other mounting bracket (6) and tighten set screw (7).

Coloque el cuerpo (1) en el abrazadera roscado (2) y apriete el tornillo de ajuste (3). (Un tornillo fijo debe estar en la parte inferior del cuerpo). Coloque un extremo de la barra para toallas (4) en el segundo cuerpo (5), y coloque el otro extremo de la barra en el primer cuerpo (1). Deslice el segundo cuerpo sobre el otro abrazadera de montaje (6) y apriete el tornillo (7).

Placez le corps (1) sur le support de montage (2) et serrez la vis de calage (3). (La vis de calage doit se trouver en dessous du corps.). Placez une extrémité du porte-serviette (4) dans le deuxième corps (5) et l'autre extrémité de celui-ci dans le premier corps (1). Glissez le deuxième corps sur l'autre support de montage (6) et serrez la vis de calage (7).

CLEANING AND CARE

Care should be given to the cleaning of this product. Although its finish is extremely durable, it can be damaged by harsh abrasives or polish. To clean, simply wipe gently with a damp cloth and blot dry with a soft towel.

LIMPIEZA Y CUIDADO DE SU LLAVE

Tenga cuidado al ir a limpiar este producto. Aunque su acabado es sumamente durable, puede ser afectado por agentes de limpieza o para pulir abrasivos. Para limpiar su llave, simplemente frótelas con un trapo húmedo y luego séquela con una toalla suave.

INSTRUCTIONS DE NETTOYAGE

Il faut le nettoyer avec soin. Même si son fini est extrêmement durable, il peut être abîmé par des produits fortement abrasifs ou des produits de polissage. Il faut simplement le frotter doucement avec un chiffon humide et le sécher à l'aide d'un chiffon doux.

Limited Warranty on Brizo® Faucets

Parts and Finish: All parts (other than electronic parts, air switch power modules, batteries, and parts not supplied by Brizo Kitchen and Bath Company) and finishes (other than uncoated and living finishes) of Brizo® faucets purchased from authorized Brizo sellers are warranted to the original consumer purchaser to be free from defects in material and workmanship for as long as the original consumer purchaser owns the home in which the faucet was first installed. For commercial purchasers, (a) the warranty period is ten (10) years for multi-family residential applications and (b) five (5) years for all other commercial uses, in each case from the date that the product is received by the original purchaser or their authorized representative (installation contractor, etc.). For purposes of this warranty, the term "multi-family residential application" refers to the purchase of the faucet from an authorized Brizo seller by a purchaser who owns but does not live in the residential dwelling in which the faucet is initially installed, such as in a rented or leased single unit or multi-unit detached home (duplex or townhome), or a condominium, apartment building or community living center. The following installations are not considered multi-family residential applications, are excluded from the 10-year warranty, and are subject to the 5-year warranty: industrial, institutional or other business premises, such as a dormitory, hospitality premises (hotel, motel, or extended stay location), airport, educational facility, long- or short-term healthcare facility (hospital, rehabilitation center, nursing, assisted or staged-care living unit), public space or common area.

Uncoated and Living Finishes: Uncoated and Living Finishes will naturally change over time. Living and uncoated finishes are not warranted.

Electronic Parts and Batteries (if applicable): Electronic parts (other than air switch power modules and batteries), if any, in Brizo® faucets purchased from authorized Brizo sellers are warranted to the original consumer purchaser to be free from defects in material and workmanship for five (5) years from the date that the product is received by the original consumer purchaser or their authorized representative (installation contractor, etc.) or, for commercial users, for one (1) year from the date that the product is received by the original commercial purchaser or their authorized representative (installation contractor, etc.). No warranty is provided on batteries.

Air Switch Power Module: The electronic power module of Brizo® air switches purchased from authorized Brizo sellers is warranted to the original consumer purchaser to be free from defects in material and workmanship for two (2) years from the date that the product is received by the original consumer purchaser or their authorized representative (installation contractor, etc.) or, for commercial users, for one (1) year from the date that the product is received by the original commercial purchaser or their authorized representative (installation contractor, etc.).

What We Will Do: Brizo Kitchen & Bath Company will repair or replace, free of charge, during the applicable warranty period (as described above), any part or finish that proves defective in material and/or workmanship under normal installation, use, and service. Brizo Kitchen & Bath Company may, in its sole discretion, use new, refurbished or recertified parts or products for such repair or replacement. If repair or replacement is not practical, Brizo Kitchen & Bath Company may elect to refund the purchase price in exchange for the return of the product. **These are your exclusive remedies.**

What Is Not Covered: Because Brizo Kitchen and Bath Company is unable to control the quality of Brizo products sold by unauthorized sellers, unless otherwise prohibited by law, this warranty does not cover Brizo products purchased from unauthorized sellers (visit Brizo.com to see a list of our Authorized Online Resellers).

Any labor charges incurred by the purchaser to repair, replace, install or remove this product are not covered by this warranty. Brizo Kitchen & Bath Company shall not be liable for any damage to the product resulting from reasonable wear and tear, outdoor use (with the exception of products that are specified for outdoor use), misuse (including use of the product for an unintended application), freezing water, abuse, neglect, or improper or incorrectly performed assembly, installation, maintenance or repair, including failure to follow the applicable care and cleaning instructions. Customized components purchased by the consumer or commercial user and installed into a Brizo product, and any damage resulting from removal or improper installation of such components, are not covered by this warranty.

Brizo Kitchen & Bath Company recommends using a professional plumber for all installation and repair of faucets. We also recommend that you use only genuine Brizo® replacement parts.

What You Must Do To Obtain Warranty Service or Replacement Parts: A warranty claim may be made, and replacement parts may be obtained by calling 1-877-345-BRIZO (2749) or by contacting us by mail or online as follows (please include your model number, date of purchase and documentation of the date of receipt of the product by the original purchaser or their authorized representative (installation contractor, etc.)):

In the United States and Mexico:

Brizo Kitchen & Bath Company
55 E. 111th Street
Carmel, IN 46280
Attention: Warranty Service
<https://www.brizo.com/customer-support/contact-us>

In Canada:

Masco Canada Limited, Plumbing Group
Technical Service Centre
350 South Edgeware Road
St. Thomas, Ontario, Canada N5P 4L1
<https://www.brizo.com/customer-support/contact-us>

Proof of purchase (original sales receipt showing purchase date) and documentation of the date of receipt of the product by the original purchaser or their authorized representative (installation contractor, etc.) must be made available to Brizo Kitchen & Bath Company for all warranty claims unless the purchaser has registered the product with Brizo Kitchen & Bath Company. This warranty applies only to Brizo® faucets installed in the United States of America, Canada, and Mexico.

Limitation on Duration of Implied Warranties: Please note that some states/provinces (including Quebec) do not allow limitations on how long an implied warranty lasts, so the below limitations may not apply to you. TO THE MAXIMUM EXTENT PERMITTED BY APPLICABLE LAW, ANY IMPLIED WARRANTY, INCLUDING THE IMPLIED WARRANTIES OF MERCHANTABILITY AND OF FITNESS FOR A PARTICULAR PURPOSE, IS LIMITED TO THE STATUTORY PERIOD OR THE DURATION OF THIS WARRANTY, WHICHEVER IS SHORTER.

Limitation of Special, Incidental or Consequential Damages: Please note that some states/provinces (including Quebec) do not allow the exclusion or limitation of special, incidental, or consequential damages, so the below limitations and exclusions may not apply to you. TO THE MAXIMUM EXTENT PERMITTED BY APPLICABLE LAW, THIS WARRANTY DOES NOT COVER, AND BRIZO KITCHEN & BATH COMPANY SHALL NOT BE LIABLE FOR ANY SPECIAL, INCIDENTAL, OR CONSEQUENTIAL DAMAGES (INCLUDING LABOR CHARGES TO REPAIR, REPLACE, INSTALL OR REMOVE THIS PRODUCT), WHETHER ARISING OUT OF BREACH OF ANY EXPRESS OR IMPLIED WARRANTY, BREACH OF CONTRACT, TORT, OR OTHERWISE. BRIZO KITCHEN & BATH COMPANY SHALL NOT BE LIABLE FOR ANY DAMAGE TO THE FAUCET RESULTING FROM REASONABLE WEAR AND TEAR, OUTDOOR USE (WITH THE EXCEPTION OF PRODUCTS SPECIFIED FOR OUTDOOR USE), MISUSE (INCLUDING USE OF THE PRODUCT FOR AN UNINTENDED APPLICATION, FREEZING WATER, ABUSE, NEGLIGENCE OR IMPROPER OR INCORRECTLY PERFORMED ASSEMBLY, INSTALLATION, MAINTENANCE OR REPAIR, INCLUDING FAILURE TO FOLLOW THE APPLICABLE INSTALLATION, CARE AND CLEANING INSTRUCTIONS. Notice to residents of the State of New Jersey: The provisions of this warranty, including its limitations, are intended to apply to the fullest extent permitted by the laws of the State of New Jersey.

Additional Rights: This warranty gives you specific legal rights, and you may also have other rights which vary from state/province to state/province.

This is Brizo Kitchen & Bath Company's exclusive written warranty, and the warranty is not transferable.

If you have any questions or concerns regarding our warranty, please contact us as provided above or visit our website at www.brizo.com.

Garantía limitada de las llaves de agua/grifos Brizo®

Piezas y acabado: Todas las piezas (excepto las piezas electrónicas, los módulos de alimentación por interruptor de aire, las baterías y las piezas no suministradas por Brizo Kitchen & Bath Company) y los acabados (excepto los acabados sin recubrimiento y los acabados vivos) de los grifos Brizo® comprados a vendedores autorizados de Brizo están garantizados al comprador consumidor original contra defectos de material y mano de obra durante el tiempo que el comprador consumidor original sea propietario de la casa en la que se instaló el grifo por primera vez. Para los compradores comerciales, (a) el período de garantía es de diez (10) años para aplicaciones residenciales multifamiliares y (b) de cinco (5) años para todos los demás usos comerciales, en cada caso a partir de la fecha en que el producto es recibido por el comprador original o su representante autorizado (contratista de instalación, etc.). A efectos de esta garantía, el término "aplicación residencial multifamiliar" hace referencia a la compra del grifo a un vendedor autorizado de Brizo por parte de un comprador que posee pero no vive en la vivienda residencial en la que está instalado originalmente el grifo; por ejemplo, en una unidad individual alquilada o arrendada, o una casa independiente de varias unidades (dúplex o casa adosada), o un condominio, edificio de apartamentos o centro de viviendas comunitarias. Las siguientes instalaciones no se consideran aplicaciones residenciales multifamiliares, están excluidas de la garantía de 10 años y están sujetas a la garantía de 5 años: establecimientos industriales, institucionales o comerciales de otro tipo, como una residencia; establecimientos de hotelería (hotel, motel o lugares para estadios prolongadas), aeropuertos, establecimientos educativos, establecimientos de atención médica a corto o largo plazo (hospital, centro de rehabilitación, centro de enfermería, unidad de vivienda con atención escalonada o asistida), espacios públicos o áreas comunes.

Acabados sin recubrimiento y vivos: Por naturaleza, los acabados sin recubrimiento y vivos cambiarán con el tiempo. Los acabados sin recubrimiento y vivos no tienen garantía.

Piezas electrónicas y baterías (si corresponde): Las piezas electrónicas (excepto los módulos de alimentación por interruptor de aire y las baterías), si las hay, en los grifos Brizo® comprados a vendedores autorizados de Brizo están garantizadas al comprador consumidor original contra defectos de material y mano de obra durante cinco (5) años a partir de la fecha en que el producto es recibido por el comprador consumidor original o su representante autorizado (contratista de instalación, etc.) o, a los usuarios comerciales, durante un (1) año a partir de la fecha en que el producto es recibido por el comprador comercial original o su representante autorizado (contratista de instalación, etc.). No se ofrece garantía por las baterías.

Módulo de alimentación por interruptor de aire: El módulo de alimentación electrónica de los interruptores de aire de Brizo® comprados a vendedores autorizados de Brizo está garantizado al comprador consumidor original contra defectos de material y mano de obra durante dos (2) años a partir de la fecha en que el producto es recibido por el comprador consumidor original o su representante autorizado (contratista de instalación, etc.) o, a los usuarios comerciales, durante un (1) año a partir de la fecha en que el producto es recibido por el comprador comercial original o su representante autorizado (contratista de instalación, etc.).

Lo que haremos: Brizo Kitchen & Bath Company reparará o reemplazará, sin cargo, durante el período de garantía correspondiente (como se describió anteriormente), toda pieza o acabado que resulte defectuoso en material o mano de obra en condiciones normales de instalación, uso y servicio. Brizo Kitchen & Bath Company puede, a su exclusivo criterio, utilizar piezas o productos nuevos, reacondicionados o recertificados para dicha reparación o reemplazo. Si la reparación o el reemplazo no es práctico, Brizo Kitchen & Bath Company puede optar por reembolsar el precio de compra a cambio de la devolución del producto. **Estas son las acciones que le corresponden.**

Lo que no cubre la garantía: Debido a que Brizo Kitchen & Bath Company no puede controlar la calidad de los productos Brizo vendidos por vendedores no autorizados, a menos que la ley lo prohíba, esta garantía no cubre los productos Brizo comprados a vendedores no autorizados (visite Brizo.com para ver una lista de nuestros revendedores autorizados en línea). Cualquier cargo de mano de obra incurrido por el comprador para reparar, reemplazar, instalar o retirar este producto no está cubierto por esta garantía. Brizo Kitchen & Bath Company no será responsable de los daños ocasionados en el producto a causa del desgaste razonable, el uso en exteriores (a excepción de los productos especificados para usarse en exteriores); el uso indebido (incluido el uso del producto para una aplicación no prevista), agua congelada, abuso, negligencia, montaje, instalación, mantenimiento o reparación realizados de manera inadecuada o incorrecta, incluido el incumplimiento de las instrucciones correspondientes de cuidado y limpieza. Los componentes personalizados comprados por el consumidor o un usuario comercial e instalados en un producto Brizo, y todo daño causado por la extracción o la instalación incorrecta de dichos componentes no están cubiertos por esta garantía.

Brizo Kitchen & Bath Company recomienda recurrir a un plomero profesional para todas las instalaciones y reparaciones de los grifos. También le recomendamos que utilice únicamente piezas de repuesto originales Brizo®.

Qué debe hacer para obtener servicio de garantía o piezas de repuesto: Se puede realizar un reclamo de garantía y obtener piezas de repuesto llamando al 1-877-345-BRIZO (2749) o comunicándose con nosotros por correo o en línea de la siguiente manera (incluya su número de modelo, la fecha de compra y la documentación de la fecha de recepción del producto por el comprador original o su representante autorizado [contratista de instalación, etc.]):

En los Estados Unidos y México:

Brizo Kitchen & Bath Company
55 E. 111th Street
Carmel, IN 46280
Attention: Warranty Service
<https://www.brizo.com/customer-support/contact-us>

En Canadá:

Masco Canada Limited, Plumbing Group
Technical Service Centre
350 South Edgeware Road
St. Thomas, Ontario, Canadá N5P 4L1
<https://www.brizo.com/customer-support/contact-us>

El comprobante de compra (recibo de venta original que muestra la fecha de compra) y la documentación de la fecha de recepción del producto por parte del comprador original o su representante autorizado (contratista de instalación, etc.) se deben poner a disposición de Brizo Kitchen & Bath Company para todos los reclamos de garantía, a menos que el comprador haya registrado el producto con Brizo Kitchen & Bath Company. Esta garantía se aplica únicamente a los grifos Brizo® instalados en los Estados Unidos de América, Canadá y México.

Limitación de la duración de las garantías implícitas: Tenga en cuenta que algunos estados o provincias (incluido Quebec) no permiten limitaciones en cuanto a la duración de una garantía implícita, por lo que es posible que las limitaciones que se indican a continuación no se apliquen en su caso. EN LA MEDIDA MÁXIMA QUE PERMITA LA LEY VIGENTE, CUALQUIER GARANTÍA IMPLÍCITA, INCLUIDAS LAS GARANTÍAS IMPLÍCITAS DE COMERCIABILIDAD E IDONEIDAD PARA UN FIN DETERMINADO, SE LIMITA AL PERÍODO LEGAL O A LA DURACIÓN DE ESTA GARANTÍA, EL QUE SEA MENOR.

Limitación de daños especiales, incidentales o consecuentes: Tenga en cuenta que algunos estados o provincias (incluido Quebec) no permiten la exclusión o limitación de daños especiales, incidentales o consecuentes, por lo que es posible que las limitaciones y exclusiones que figuran a continuación no se apliquen en su caso. EN LA MEDIDA MÁXIMA PERMITIDA POR LA LEY VIGENTE, ESTA GARANTÍA NO CUBRE, Y BRIZO KITCHEN & BATH COMPANY NO SERÁ RESPONSABLE DE NINGÚN DAÑO ESPECIAL, INCIDENTAL O CONSECUENTE (INCLUIDOS LOS GASTOS DE MANO DE OBRA PARA REPARAR, REEMPLAZAR, INSTALAR O RETIRAR ESTE PRODUCTO), YA SEA QUE SURJA DEL INCUMPLIMIENTO DE CUALQUIER GARANTÍA EXPRESA O IMPLÍCITA, EL INCUMPLIMIENTO DE CONTRATO, AGRAVIO O DE OTRA MANERA. BRIZO KITCHEN & BATH COMPANY NO SERÁ RESPONSABLE DE LOS DAÑOS OCASIONADOS EN EL GRIFO A CAUSA DEL DESGASTE RAZONABLE, EL USO EN EXTERIORES (A EXCEPCIÓN DE LOS PRODUCTOS ESPECIFICADOS PARA USARSE EN EXTERIORES), EL USO INDEBIDO (INCLUIDO EL USO DEL PRODUCTO PARA UNA APLICACIÓN NO PREVISTA), AGUA CONGELADA, ABUSO, NEGLIGENCIA O MONTAJE, INSTALACIÓN, MANTENIMIENTO O REPARACIÓN REALIZADOS DE MANERA INADECUADA O INCORRECTA, INCLUIDO EL INCUMPLIMIENTO DE LAS INSTRUCCIONES CORRESPONDIENTES DE INSTALACIÓN, CUIDADO Y LIMPIEZA. Aviso a los residentes del estado de Nueva Jersey: Las disposiciones de esta garantía, incluidas sus limitaciones, deben aplicarse en la medida máxima que lo permitan las leyes del estado de Nueva Jersey.

Otros derechos: Esta garantía le otorga derechos legales específicos, y usted también puede tener otros derechos que varían de un estado o provincia a otro.

Esta es la garantía escrita exclusiva de Brizo Kitchen & Bath Company, y la garantía no es transferible.

Si tiene alguna pregunta o inquietud sobre nuestra garantía, comuníquese con nosotros como se indicó anteriormente o visite nuestro sitio web en www.brizo.com.

Garantie limitée des robinets Brizo®

Pièces et finitions: Toutes les pièces (autres que les pièces électroniques, les modules d'alimentation des commutateurs de débit d'air, les piles et les pièces non fournies par Brizo Kitchen and Bath Company) et les finitions (autres que les finitions non revêtues et les finitions vivantes) des robinets Brizo® achetés auprès de vendeurs Brizo autorisés sont garanties à l'acheteur d'origine comme étant exemptes de défauts de matériaux et de fabrication tant que l'acheteur d'origine est propriétaire de la maison dans laquelle le robinet a été installé initialement. Pour les acheteurs commerciaux, (a) la période de garantie est de dix (10) ans pour les applications résidentielles multifamiliales et (b) de cinq (5) ans pour toutes les autres utilisations commerciales, dans chaque cas à compter de la date de réception du produit par l'acheteur d'origine ou son représentant autorisé (entrepreneur chargé de l'installation, etc.). Aux fins de la présente garantie, le terme « application résidentielle multifamiliale » fait référence à l'achat du robinet auprès d'un vendeur Brizo autorisé par un acheteur qui possède mais ne vit pas dans l'habitation résidentielle dans laquelle le robinet est initialement installé, par exemple, dans une maison unifamiliale ou un immeuble individuel à logements multiples (duplex ou maison en rangée) en location avec ou sans bail, ou un condominium, un immeuble d'appartements ou un centre d'habitation communautaire. Les installations suivantes, qui ne sont pas considérées comme des applications résidentielles multifamiliales, sont exclues de la garantie de dix ans et sont soumises à la garantie de cinq ans : les locaux industriels, institutionnels ou autres locaux commerciaux, tels que les dortoirs, les centres d'accueil (hôtels, motels ou établissements de séjour prolongé), les aéroports, les établissements d'enseignement, les établissements de soins de santé de longue ou de courte durée (hôpitaux, centres de réadaptation, unités de soins infirmiers, unités de résidence assistée ou de soins échelonnés), les espaces publics ou les aires communes.

Finitions vivantes et non revêtues: Les finitions vivantes et non revêtues se dégradent naturellement avec le temps. Les finitions vivantes et non revêtues ne sont pas couvertes par la garantie.

Pièces électroniques et piles (le cas échéant): Les pièces électroniques (autres que les modules d'alimentation des commutateurs de débit d'air et les piles), le cas échéant, des robinets Brizo® achetés auprès de vendeurs Brizo autorisés sont garanties à l'acheteur d'origine contre les défauts de matériaux et de fabrication pendant cinq (5) ans à compter de la date de réception du produit par l'acheteur d'origine ou son représentant autorisé (entrepreneur chargé de l'installation, etc.) ou, pour les utilisateurs commerciaux, pendant un (1) an à compter de la date de réception du produit par l'acheteur commercial d'origine ou son représentant autorisé (entrepreneur chargé de l'installation, etc.). Aucune garantie n'est fournie sur les piles.

Modules d'alimentation des commutateurs de débit d'air: Le module d'alimentation électronique des commutateurs de débit d'air Brizo® achetés auprès de vendeurs Brizo autorisés est garanti à l'acheteur d'origine contre tout défaut de matériau et de fabrication pendant deux (2) ans à compter de la date de réception du produit par l'acheteur d'origine ou son représentant autorisé (entrepreneur chargé de l'installation, etc.) ou, pour les utilisateurs commerciaux, pendant un (1) an à compter de la date de réception du produit par l'acheteur commercial d'origine ou son représentant autorisé (entrepreneur chargé de l'installation, etc.).

Ce que nous ferons: Brizo Kitchen & Bath Company réparera ou remplacera gratuitement, pendant la période de garantie applicable (telle que décrite ci-dessus), toute pièce ou finition présentant un défaut de matériau et/ou de fabrication dans des conditions normales d'installation, d'utilisation et d'entretien. Brizo Kitchen & Bath Company peut, à sa seule discrétion, utiliser des pièces ou des produits neufs, remis à neuf ou recertifiés à des fins de réparation ou de remplacement. Si la réparation ou le remplacement n'est pas possible, Brizo Kitchen & Bath Company peut décider de rembourser le prix d'achat en échange du retour du produit. **Il s'agit de vos recours exclusifs.**

Ce qui n'est pas couvert: Brizo Kitchen and Bath Company étant dans l'impossibilité de contrôler la qualité des produits Brizo vendus par des vendeurs non autorisés, la présente garantie ne couvre pas les produits Brizo achetés auprès de vendeurs non autorisés, à moins que la loi ne l'interdise (visitez Brizo.com pour voir la liste de nos revendeurs en ligne autorisés)). Les frais de main-d'œuvre encourus par l'acheteur pour la réparation, le remplacement, l'installation ou le retrait de ce produit ne sont pas couverts par la présente garantie. Brizo Kitchen & Bath Company n'est pas responsable des dommages au produit résultant d'une usure raisonnable, d'une utilisation à l'extérieur (à l'exception des produits spécialement conçus pour une utilisation à l'extérieur), d'une mauvaise utilisation (y compris l'utilisation du produit pour une application non prévue), du gel de l'eau, d'un abus, d'une négligence ou d'un assemblage, d'une installation, d'un entretien ou d'une réparation incorrect ou mal effectué, y compris le non-respect des instructions d'entretien et de nettoyage applicables. Les composants personnalisés achetés par le consommateur ou l'utilisateur commercial et installés dans un produit Brizo, ainsi que tout dommage résultant du retrait ou de l'installation incorrecte de ces composants, ne sont pas couverts par la présente garantie.

Brizo Kitchen & Bath Company recommande de faire appel à un plombier professionnel pour l'installation et la réparation des robinets. Nous vous recommandons également de n'utiliser que des pièces de rechange Brizo® d'origine.

Ce que vous devez faire pour obtenir des pièces de rechange ou un service au titre de la garantie: Une réclamation au titre de la garantie peut être effectuée et des pièces de rechange peuvent être obtenues en appelant au 1-877-345-BRIZO (2749) ou en nous contactant par la poste ou en ligne comme suit (veuillez inclure le numéro de votre modèle, la date d'achat et un document montrant la date de réception du produit par l'acheteur d'origine ou son représentant autorisé (entrepreneur chargé de l'installation, etc.) :

Aux États-Unis et au Mexique :

Brizo Kitchen & Bath Company
55 E. 111th Street
Carmel, IN 46280
À l'attention de : Service de garantie
<https://www.brizo.com/customer-support/contact-us>

Au Canada :

Masco Canada Limited, Plumbing Group
Centre de service technique
350 South Edgeware Road
St. Thomas (Ontario) N5P 4L1 Canada
<https://www.brizo.com/customer-support/contact-us>

Une preuve d'achat (reçu de vente original indiquant la date d'achat) et un document montrant la date de réception du produit par l'acheteur d'origine ou son représentant autorisé (entrepreneur chargé de l'installation, etc.) doit être mis à la disposition de Brizo Kitchen & Bath Company pour toute réclamation au titre de la garantie, à moins que l'acheteur n'ait enregistré le produit auprès de Brizo Kitchen & Bath Company. La présente garantie s'applique uniquement aux robinets Brizo® installés au Canada, aux États-Unis d'Amérique et au Mexique.

Limitation de la durée des garanties implicites: Veuillez noter que certains États/provinces (y compris le Québec) n'autorisent pas de limitations sur la durée d'une garantie implicite, de sorte que les limitations ci-dessous peuvent ne pas s'appliquer à vous. DANS TOUTE LA MESURE PERMISE PAR LA LÉGISLATION APPLICABLE, TOUTE GARANTIE IMPLICITE, Y COMPRIS LES GARANTIES IMPLICITES DE QUALITÉ MARCHANDE ET D'ADÉQUATION À UN USAGE PARTICULIER, EST LIMITÉE À LA PÉRIODE LÉGALE OU À LA DURÉE DE LA PRÉSENTE GARANTIE, SELON LA PÉRIODE LA PLUS COURTE.

Limitation des dommages spéciaux, accessoires ou consécutifs: Veuillez noter que certains États/provinces (y compris le Québec) n'autorisent pas l'exclusion ou la limitation des dommages spéciaux, accessoires ou consécutifs, de sorte que les limitations et exclusions ci-dessous peuvent ne pas s'appliquer à vous. DANS TOUTE LA MESURE PERMISE PAR LA LÉGISLATION APPLICABLE, LA PRÉSENTE GARANTIE NE COUVRE PAS, ET BRIZO KITCHEN & BATH COMPANY NE SERA PAS RESPONSABLE DES DOMMAGES SPÉCIAUX, ACCESSOIRES OU CONSÉCUTIFS (Y COMPRIS LES FRAIS DE MAIN-D'ŒUVRE POUR RÉPARER, REMPLACER, INSTALLER OU RETIRER CE PRODUIT), QU'ILS DÉCOULENT D'UNE VIOLATION DE TOUTE GARANTIE EXPRESSE OU IMPLICITE, D'UNE RUPTURE DE CONTRAT, D'UN DÉLIT CIVIL OU AUTRE. BRIZO KITCHEN & BATH COMPANY NE SERA PAS RESPONSABLE DE TOUT DOMMAGE AU ROBINET RÉSULTANT D'UNE USURE RAISONNABLE, D'UNE UTILISATION À L'EXTÉRIEUR (À L'EXCEPTION DES PRODUITS SPÉCIALEMENT CONÇUS POUR UNE UTILISATION À L'EXTÉRIEUR), D'UNE MAUVAISE UTILISATION (Y COMPRIS L'UTILISATION DU PRODUIT POUR UNE APPLICATION NON PRÉVUE, DU GEL DE L'EAU, D'UN ABUS, D'UNE NÉGLIGENCE OU D'UN ASSEMBLAGE, D'UNE INSTALLATION, D'UN ENTRETIEN OU D'UNE RÉPARATION INCORRECT OU MAL EFFECTUÉ, Y COMPRIS LE NON-RESPECT DES INSTRUCTIONS D'INSTALLATION, D'ENTRETIEN ET DE NETTOYAGE APPLICABLES. Avis aux résidents de l'État du New Jersey : Les dispositions de la présente garantie, y compris ses limitations, sont destinées à s'appliquer dans toute la mesure permise par les lois de l'État du New Jersey.

Droits supplémentaires: La présente garantie vous confère des droits légaux spécifiques. En outre, vous pouvez bénéficier d'autres droits qui varient d'un État ou d'une province à l'autre.

Ceci est la garantie écrite exclusive de Brizo Kitchen & Bath Company. Cette garantie n'est pas transférable.

Si vous avez des questions ou des préoccupations concernant notre garantie, veuillez nous contacter comme indiqué ci-dessus ou visiter notre site Web à l'adresse suivante : www.brizo.com.