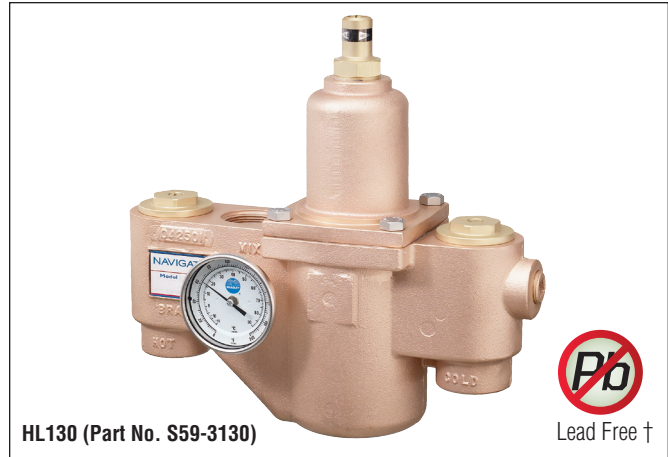




S59-3130 (HL130) Thermostatic High-Low Valves

- Lead-Free Brass Design †
- Reliable Liquid-Filled Thermostat with 10-Year Warranty
- Integral Strainer Checkstops on Inlets
- Adjustable Set Point within Temperature Range
- Accurate Temperature Control to within $\pm 3^\circ$ F
- Positive Shutoff of Flow in the Event of Cold Supply Line Failure or Thermostat Failure
- Easy Installation and Serviceability
- Dirt and Lime Resistant
- Factory Assembled and Tested
- Universal Mounting Capability
- Dial Thermometer
- Cabinet Features:
 - 18 Gauge Body & Door
 - Left-Hand Hinge
 - Cylinder Lock
 - Inlet/Outlet Knock-Out Holes for Mounting Flexibility
 - Stainless Steel or Baked White Enamel Finishes
 - Surface-Mounted or Recessed Style with Flange



HL130 (Part No. S59-3130)



Lead Free †

Valve Specifications

Maximum Operating Pressure

125 PSI (860 kPa)

Maximum Inlet Temperature

200° F (93° C)

Temperature Range

	Temperature Range	Set Point
Std.	90° F (32° C) to 120° F (49° C)	110° F (43° C)
High	110° F (43° C) to 140° F (60° C)	130° F (54° C)

Flow Capacities – GPM

Model	Min. Flow*	Pressure Drop – PSI						
		5	10	15	20	30	45	60
S59-3130	4.0	40.0	58.0	71.0	83.0	102.0	126.0	147.0

Flow Capacities – L/Min

Model	Min. Flow*	Pressure Drop – Bar						
		.5	1.0	1.5	2.0	2.5	3.0	4.0
S59-3130	15.0	184.5	265.0	327.0	380.0	427.0	470.0	546.0

*Recirculation system only (See diagram on Page 2). When properly installed near the hot water source with a **continuously operating** recirculation pump, the valve will maintain set temperature with a .5 GPM (2.0 L/Min) draw from the plumbing system.

Code Compliance and Certifications

ASSE 1017 & cUPC certified. Complies with California Lead Plumbing Law.



Certified to NSF/ANSI 372

† Wetted surface contains less than .25% lead

Engineer's Approval _____

Page 1 of 4 11/27/2018

This information is subject to change without notice.
Bradley_TMV_HighLow_HL130

Valve Model

Model	Description
<input type="checkbox"/> S59-3130	High-Low Thermostatic Mixing Valve

Configurable Valve Model (select one)

Model	Description
<input type="checkbox"/> HL130	HL130 Thermostatic Mixing Valve with Options
<input type="checkbox"/> CAB-HL130	HL130 Thermostatic Mixing Valve Cabinet Only

Optional Valve Selections

Finish	
<input type="checkbox"/> R	Rough Brass (standard)
<input type="checkbox"/> C	Chrome Plated
Thermostat	
<input type="checkbox"/> S	Standard Range Thermostat
<input type="checkbox"/> H	High Range Thermostat
Bracket	
<input type="checkbox"/> B	Wall Mounting Bracket
<input type="checkbox"/> 0	None
Piped Assembly	
<input type="checkbox"/> P	Piped Assembly with Inlet and Outlet Shutoff
<input type="checkbox"/> N	Piped Assembly with Outlet Shutoff
<input type="checkbox"/> 0	None
Optional Cabinet Selections	
Cabinets (includes bracket)	
<input type="checkbox"/> SS	Surface Mount Stainless Steel
<input type="checkbox"/> RS	Recessed Stainless Steel
<input type="checkbox"/> SE	Surface Mount White Enamel
<input type="checkbox"/> RE	Recessed White Enamel
<input type="checkbox"/> 0	None
Window	
<input type="checkbox"/> W	Plexi-Glass Window in Door
<input type="checkbox"/> 0	None

Standard product selections contained within this document are third party CERTIFIED to NSF/ANSI 372 meeting the Lead-Free content requirement. Any product configured with custom options will be COMPLIANT with NSF/ANSI 372 meeting the Lead-Free content requirement.

© 2018 Bradley

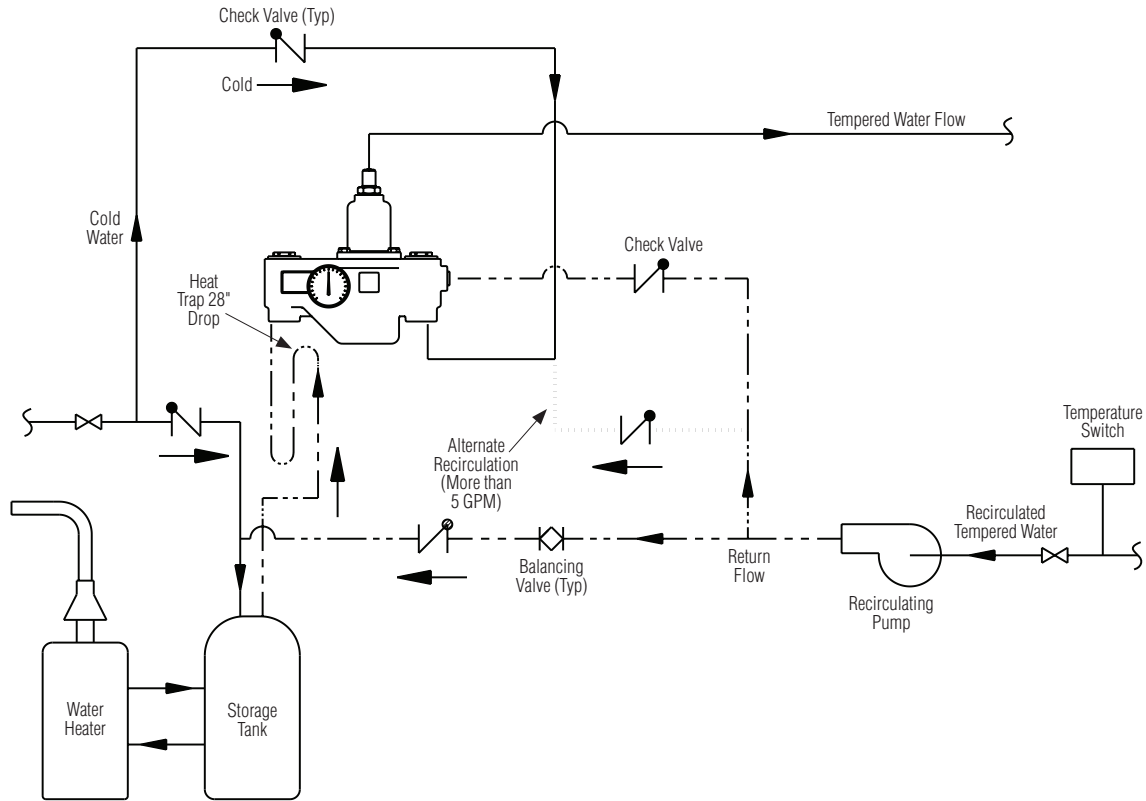
P.O. Box 309, Menomonee Falls, WI 53052-0309
800 BRADLEY (800 272 3539) +1 262 251 6000
bradleycorp.com



S59-3130 (HL130) Thermostatic High-Low Valves

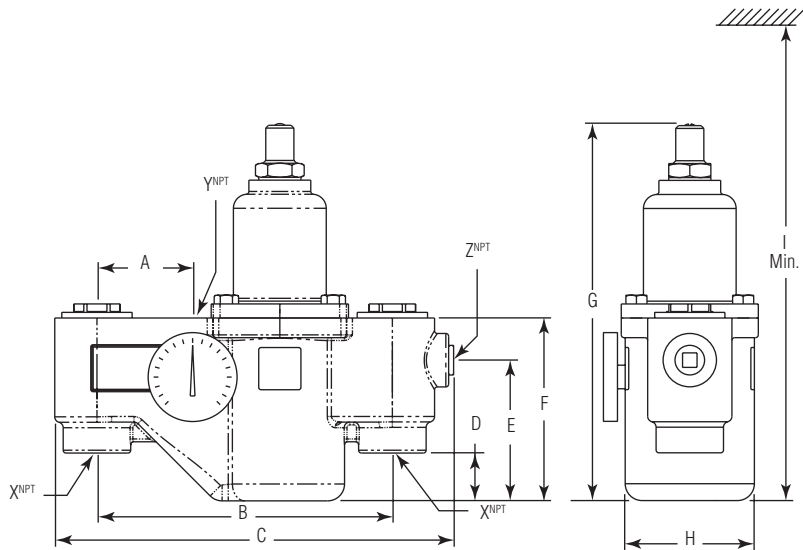
Recirculation Diagram

(mm)



Dimensions

Model	A	B	C	D	E	F	G	H	I	X ^{NPT}	Y ^{NPT}	Z ^{NPT}
S59-3130	2-3/4" (70)	10-1/2" (267)	14" (356)	1-3/4" (45)	5" (127)	6-5/8" (169)	13-1/2" (343)	4-7/8" (124)	22" (559)	1-1/4"	1-1/2"	3/4"



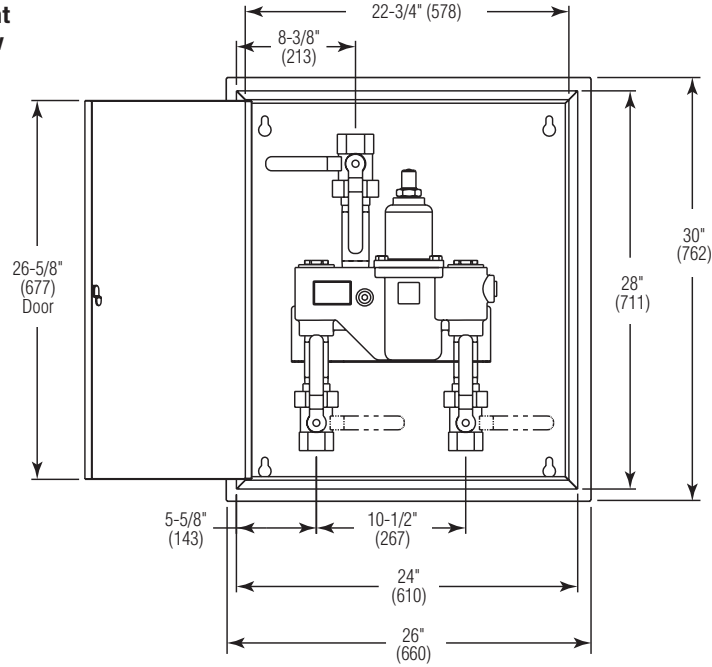


S59-3130 (HL130) Thermostatic High-Low Valves

Dimensions — HL130 Recessed Cabinet

(mm)

Front View



Side View

