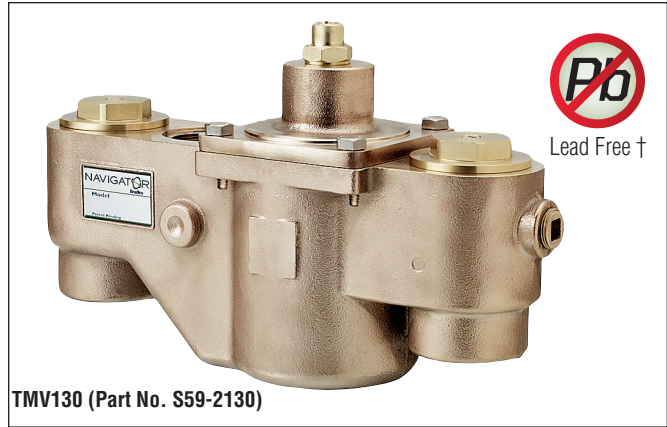




# S59-2130 (TMV130) Standard Thermostatic Mixing Valves

- Lead-Free Brass Design †
- Reliable Liquid-Filled Thermostat with 10-Year Warranty
- Integral Strainer Checkstops on Inlets
- Adjustable Set Point within Temperature Range
- Accurate Temperature Control
- Positive Shutoff of Hot Supply When Cold Supply is Lost
- Easy Installation and Serviceability
- Dirt and Lime Resistant
- Factory Assembled and Tested
- Universal Mounting Capability
- Cabinet Features:
  - 18 Gauge Body & Door
  - Inlet/Outlet Knock-Out Holes for Mounting Flexibility
  - Left-Hand Hinge
  - Stainless Steel or Baked White Enamel Finishes
  - Cylinder Lock
  - Surface-Mounted or Recessed Style with Flange



TMV130 (Part No. S59-2130)

## Valve Specifications

### Maximum Operating Pressure

125 PSI (860 kPa)

### Maximum Inlet Temperature

200° F (93° C)

### Temperature Range

	Temperature Range	Set Point
Std.	85° F (29° C) to 135° F (57° C)	110° F (43° C)
Low	50° F (10° C) to 100° F (38° C)	80° F (27° C)
High	100° F (38° C) to 150° F (66° C)	130° F (54° C)

† Wetted surface contains less than .25% lead

### Flow Capacities – GPM

Model	Min. Flow*	Pressure Drop – PSI						
		5	10	15	20	30	45	60
S59-2130	13.0	40.0	58.0	71.0	83.0	102.0	126.0	147.0

### Flow Capacities – L/Min

Model	Min. Flow*	Pressure Drop – Bar						
		.5	1.0	1.5	2.0	2.5	3.0	4.0
S59-2130	50.0	185.0	265.0	327.0	380.0	428.0	470.0	546.0

\*Recirculation system only (See diagram on Page 2). When properly installed near the hot water source with a **continuously operating** recirculation pump, the valve will maintain set temperature with a .5 GPM (2.0 L/Min) draw from the plumbing system.

## Code Compliance and Certifications

ASSE 1017 & cUPC certified. Complies with California Lead Plumbing Law.



Standard product selections contained within this document are third party CERTIFIED to NSF/ANSI 372 meeting the Lead-Free content requirement. Any product configured with custom options will be COMPLIANT with NSF/ANSI 372 meeting the Lead-Free content requirement.

Engineer's Approval \_\_\_\_\_

## Valve Model

Model	Description
<input type="checkbox"/> S59-2130	Standard Thermostatic Mixing Valve

## Configurable Valve Model (select one)

Model	Description
<input type="checkbox"/> TMV130	TMV130 Thermostatic Mixing Valve with Options
<input type="checkbox"/> CAB-TMV130	TMV130 Thermostatic Mixing Valve Cabinet Only

## Optional Valve Selections

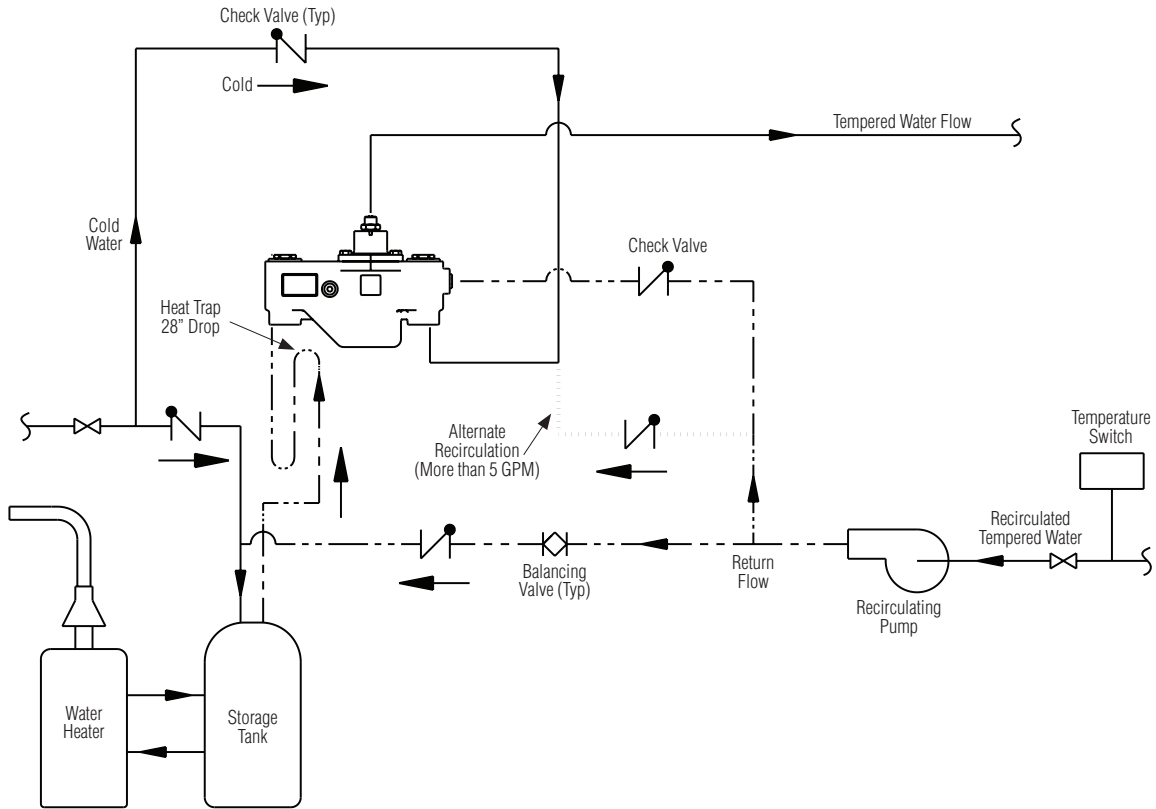
<b>Finish</b>	
<input type="checkbox"/> R	Rough Brass (standard)
<input type="checkbox"/> C	Chrome Plated
<b>Thermostat</b>	
<input type="checkbox"/> S	Standard Range Thermostat
<input type="checkbox"/> L	Low Range Thermostat
<input type="checkbox"/> H	High Range Thermostat
<b>Thermometer</b>	
<input type="checkbox"/> T	Dial Thermometer
<input type="checkbox"/> 0	None
<b>Bracket</b>	
<input type="checkbox"/> B	Wall Mounting Bracket
<input type="checkbox"/> 0	None
<b>Piped Assembly</b>	
<input type="checkbox"/> P	Piped Assembly with Inlet and Outlet Shutoff
<input type="checkbox"/> N	Piped Assembly with Outlet Shutoff
<input type="checkbox"/> 0	None
<b>Optional Cabinet Selections</b>	
<b>Cabinets (includes bracket)</b>	
<input type="checkbox"/> SS	Surface Mount Stainless Steel
<input type="checkbox"/> RS	Recessed Stainless Steel
<input type="checkbox"/> SE	Surface Mount White Enamel
<input type="checkbox"/> RE	Recessed White Enamel
<input type="checkbox"/> 0	None
<b>Window</b>	
<input type="checkbox"/> W	Plexi-Glass Window in Door
<input type="checkbox"/> 0	None



# S59-2130 (TMV130) Standard Thermostatic Mixing Valves

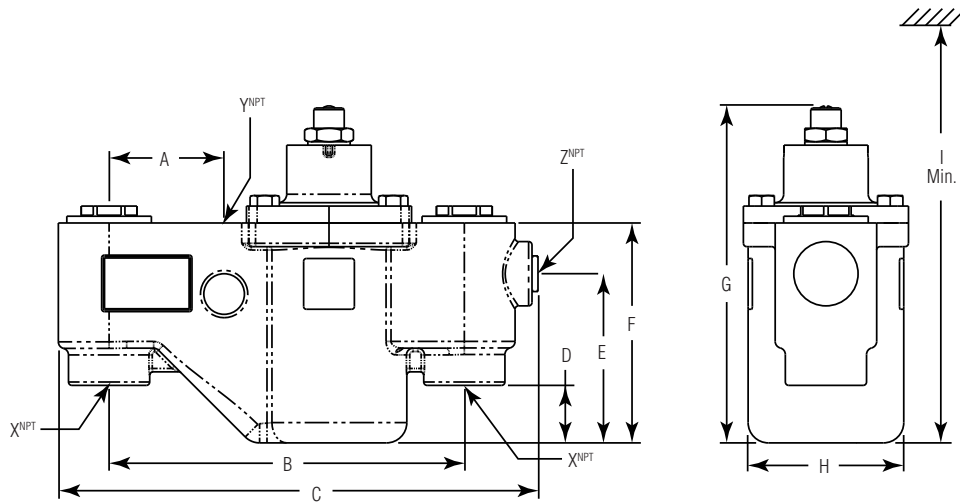
## Recirculation Diagram

(mm)



## Dimensions

Model	A	B	C	D	E	F	G	H	I	X <sup>NPT</sup>	Y <sup>NPT</sup>	Z <sup>NPT</sup>
S59-2130	2-3/4" (70)	10-1/2" (267)	14" (356)	1-3/4" (45)	5" (127)	6-5/8" (169)	10-1/4" (260)	4-7/8" (124)	17" (432)	1-1/4"	1-1/2"	3/4"

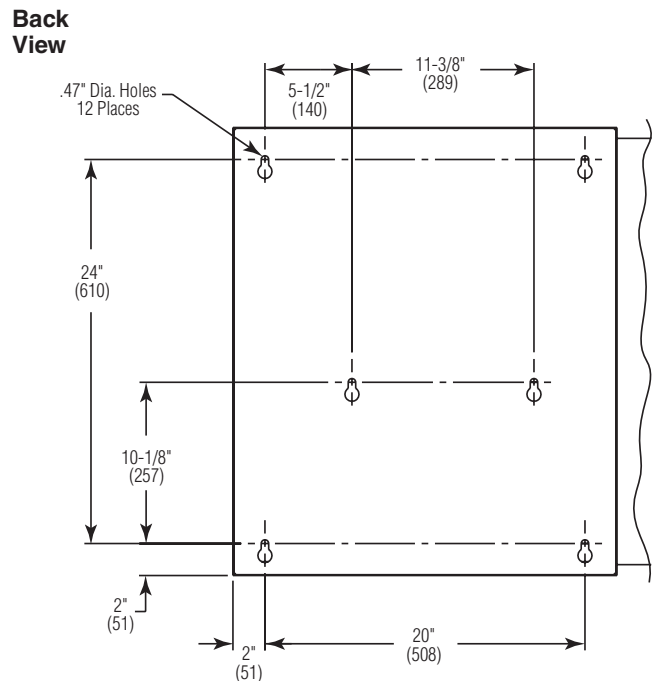
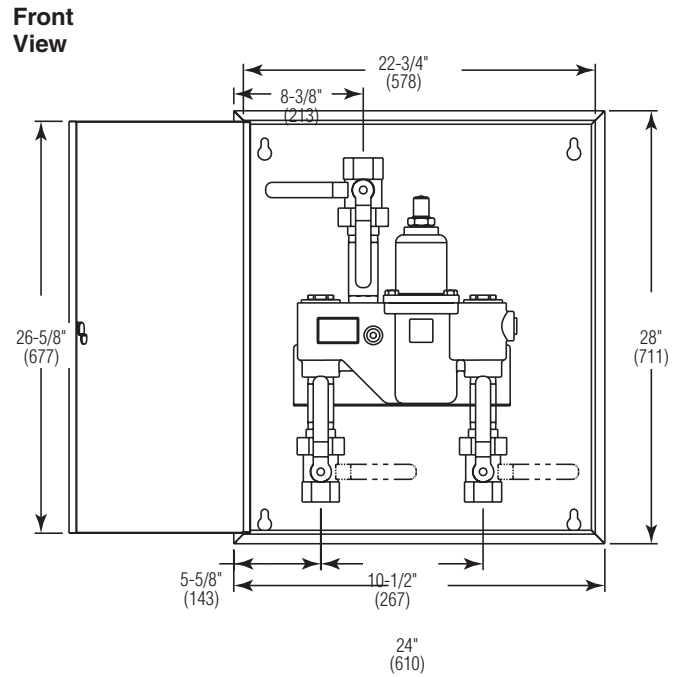
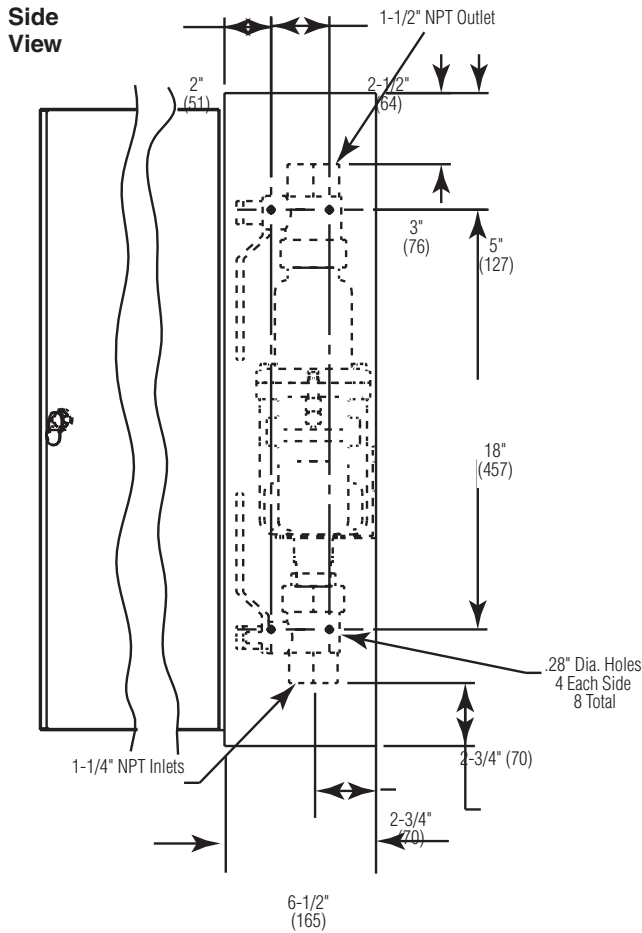




# S59-2130 (TMV130) Standard Thermostatic Mixing Valves

Dimensions — TMV130 Surface-Mounted Cabinet

(mm)



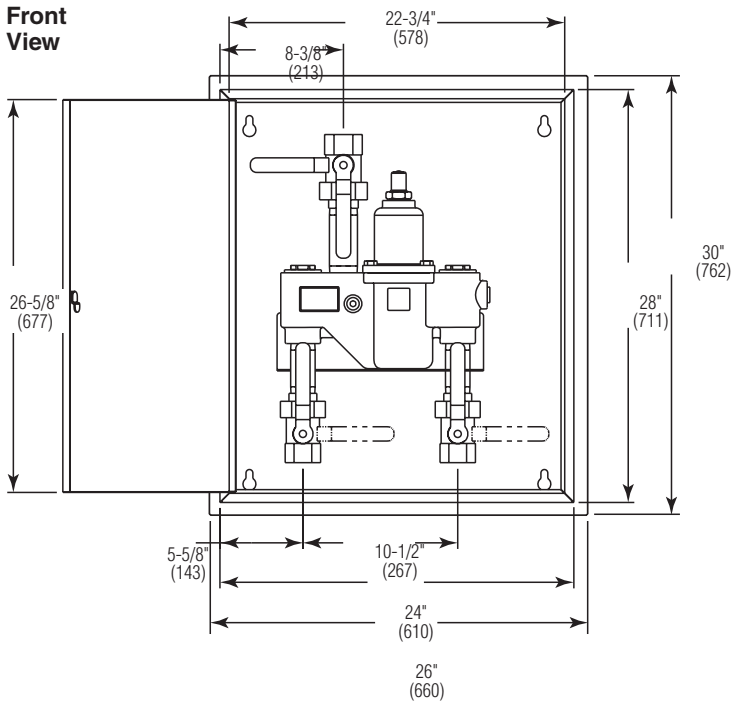


# S59-2130 (TMV130) Standard Thermostatic Mixing Valves

## Dimensions — TMV130 Recessed Cabinet

(mm)

**Front View**



**Side View**

