



S59-2080 (TMV80) Standard Thermostatic Mixing Valves

- Reliable liquid-filled thermostat
- Integral strainer checkstops on inlets
- Adjustable set point within temperature range
- Accurate temperature control
- Positive shutoff of hot supply when cold supply is lost
- Easy installation and serviceability
- Dirt and lime resistant
- Factory assembled and tested
- Universal mounting capability
- Cabinet Features
 - 18 gauge body & door
 - Left hand hinge
 - Cylinder Lock
 - Inlet/outlet knock out holes for mounting flexibility
 - Stainless steel or baked white enamel finishes
 - Surface mounted or recessed style with flange



TMV80 (Part No. S59-2080)

Valve Model

Model	Description
<input type="checkbox"/> S59-2080	Standard Thermostatic Mixing Valve

Valve Specifications

Maximum Operating Pressure
125 PSI (860 kPa)

Maximum Inlet Temperature
180° F (82° C)

Temperature Range		Set Point
Std.	85° F (29° C) to 135° F (57° C)	110° F (43° C)
Low	50° F (10° C) to 100° F (38° C)	80° F (27° C)
High	100° F (38° C) to 150° F (66° C)	130° F (54° C)

Flow Capacities – GPM

Model	Min. Flow*	Pressure Drop – PSI						
		5	10	15	20	30	45	60
S59-2080	8.0	24.0	34.0	44.0	48.0	60.0	74.0	85.0

Flow Capacities – L/Min

Model	Min. Flow*	Pressure Drop – Bar						
		.5	1.0	1.5	2.0	2.5	3.0	4.0
S59-2080	30.3	116.0	166.0	206.0	234.0	267.0	296.0	343.0

*Recirculation system only (See diagram on Page 2). When properly installed near the hot water source with a **continuously operating** recirculation pump, the valve will maintain set temperature with a .5 GPM (2.0 L/Min) draw from the plumbing system.

Code Compliance and Certifications

ASSE 1017 & cUPC certified.



Certified to NSF/ANSI 372

- Standard product selections contained within this document are third party CERTIFIED to NSF/ANSI 372 meeting the Lead-Free content requirement. Any product configured with custom options will be COMPLIANT with NSF/ANSI 372 meeting the Lead-Free content requirement.

Engineer's Approval _____

Configurable Valve Model (select one)

Model	Description
<input type="checkbox"/> TMV80	TMV80 Thermostatic Mixing Valve with Options
<input type="checkbox"/> CAB-TMV80	TMV80 Thermostatic Mixing Valve Cabinet Only

Optional Valve Selections

Finish	
<input type="checkbox"/> R	Rough Brass (standard)
<input type="checkbox"/> C	Chrome Plated

Thermostat	
<input type="checkbox"/> S	Standard Range Thermostat
<input type="checkbox"/> L	Low Range Thermostat
<input type="checkbox"/> H	High Range Thermostat

Thermometer	
<input type="checkbox"/> T	Dial Thermometer
<input type="checkbox"/> 0	None

Bracket	
<input type="checkbox"/> B	Wall Mounting Bracket
<input type="checkbox"/> 0	None

Piped Assembly	
<input type="checkbox"/> P	Piped Assembly with Inlet and Outlet Shutoff
<input type="checkbox"/> N	Piped Assembly with Outlet Shutoff
<input type="checkbox"/> 0	None

Optional Cabinet Selections

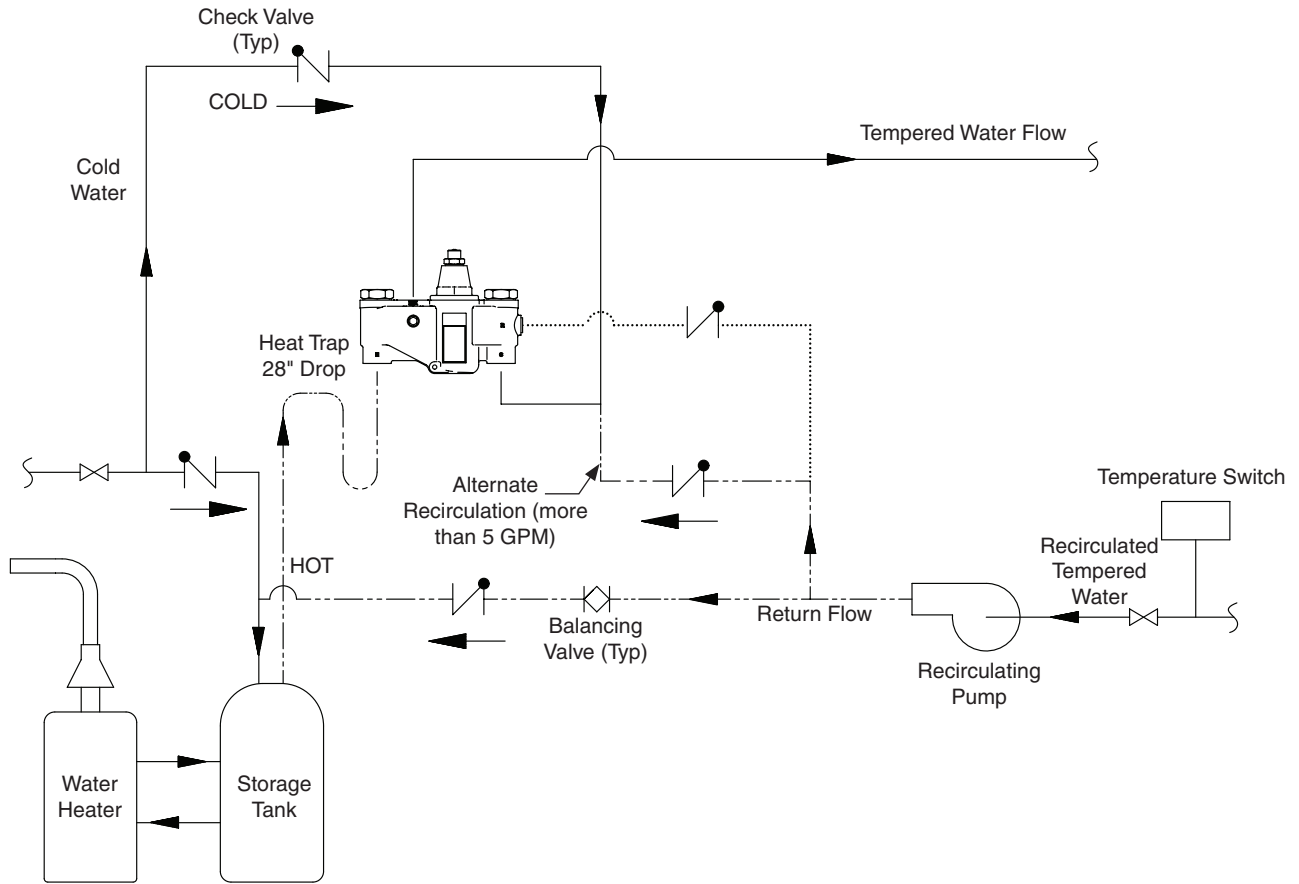
Cabinets (includes bracket)	
<input type="checkbox"/> SS	Surface Mount Stainless Steel
<input type="checkbox"/> RS	Recessed Stainless Steel
<input type="checkbox"/> SE	Surface Mount White Enamel
<input type="checkbox"/> RE	Recessed White Enamel
<input type="checkbox"/> 0	None

Window	
<input type="checkbox"/> W	Plexi-Glass Window in Door
<input type="checkbox"/> 0	None



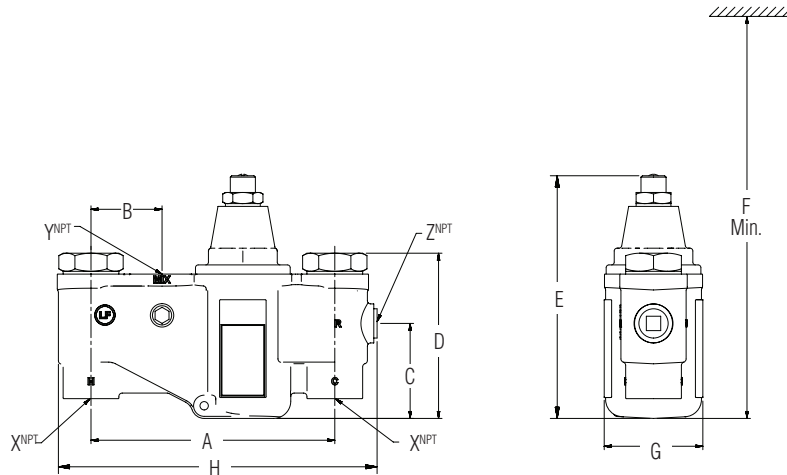
S59-2080 (TMV80) Standard Thermostatic Mixing Valves

Recirculation Diagram



Dimensions

Model	A	B	C	D	E	F	G	H	X ^{NPT}	Y ^{NPT}	Z ^{NPT}
S19-2080	8-3/4" (224)	2-1/2" (64)	3-3/8" (86)	5-7/8" (149)	8-3/4" (222)	19" (483)	3-1/2" (90)	11-1/2" (292)	1"	1-1/4"	3/4"

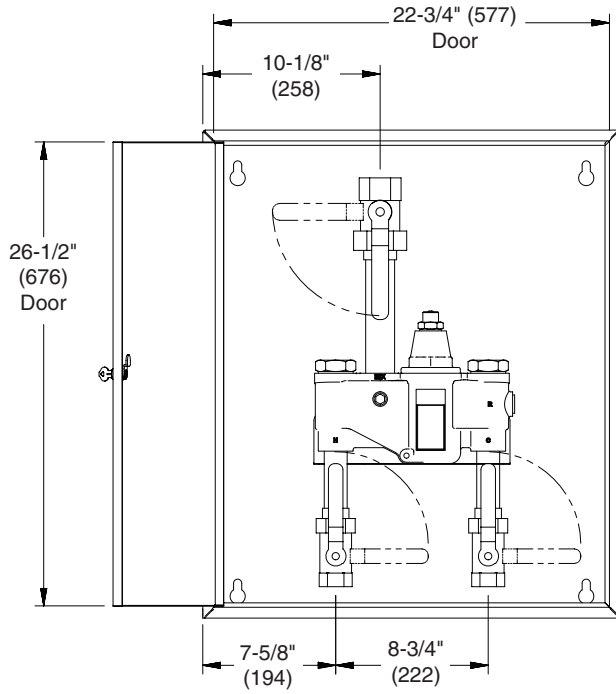




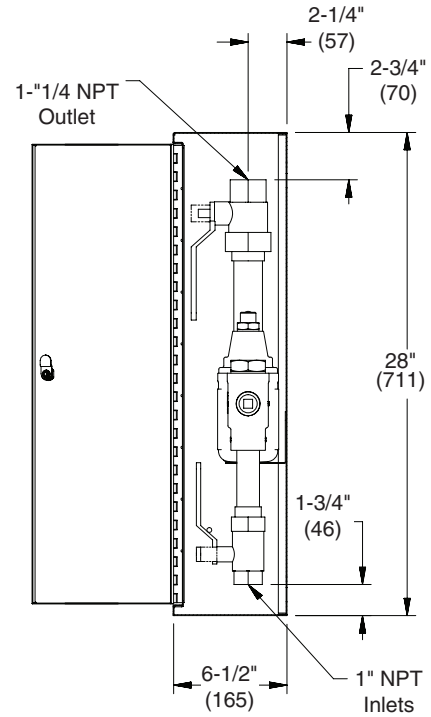
S59-2080 (TMV80) Standard Thermostatic Mixing Valves

Dimensions — TMV80 Surface Mounted

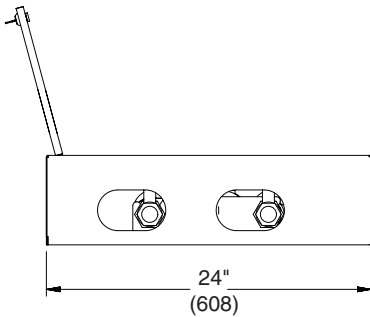
Front View



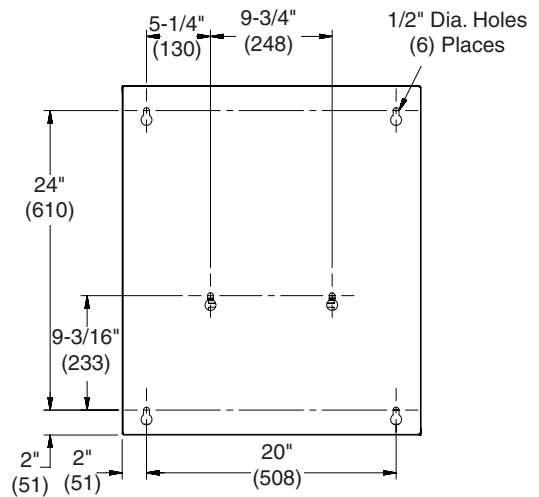
Side View



Bottom View



Mounting Hole Locations
for Surface Mount

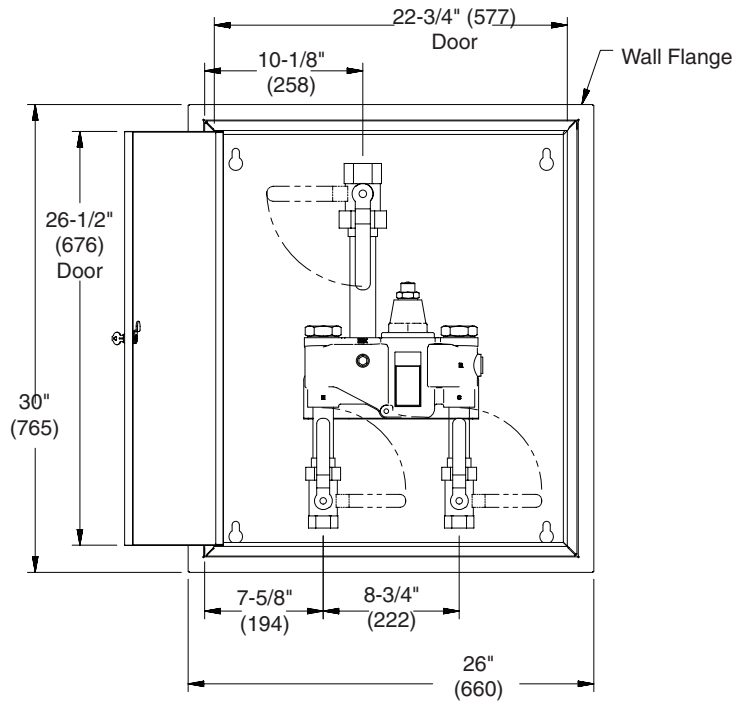




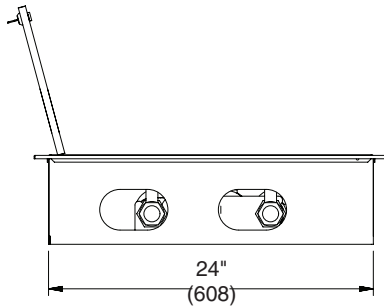
S59-2080 (TMV80) Standard Thermostatic Mixing Valves

Dimensions — TMV80 Recessed

Front View



Bottom View



Side View

