



# S59-2045 (TMV45) Standard Thermostatic Mixing Valves

- Reliable liquid-filled thermostat
- Integral strainer checkstops on inlets
- Adjustable set point within temperature range
- Accurate temperature control
- Positive shutoff of hot supply when cold supply is lost
- Easy installation and serviceability
- Dirt and lime resistant
- Factory assembled and tested
- Universal mounting capability
- Cabinet Features
  - 18 gauge body & door
  - Left hand hinge
  - Cylinder Lock
  - Inlet/outlet knock out holes for mounting flexibility
  - Stainless steel or baked white enamel finishes
  - Surface mounted or recessed style with flange



TMV45 (Part No. S59-2045)

## Valve Model

Model	Description
<input type="checkbox"/> S59-2045	Standard Thermostatic Mixing Valve

## Valve Specifications

**Maximum Operating Pressure**  
125 PSI (860 kPa)

**Maximum Inlet Temperature**  
180° F (82° C)

Temperature Range		Set Point
<b>Std.</b>	85° F (29° C) to 135° F (57° C)	110° F (43° C)
<b>Low</b>	50° F (10° C) to 100° F (38° C)	80° F (27° C)
<b>High</b>	100° F (38° C) to 150° F (66° C)	130° F (54° C)

## Flow Capacities – GPM

Model	Min. Flow*	Pressure Drop – PSI						
		5	10	15	20	30	45	60
S59-2045	5.0	12.0	17.0	21.0	25.0	31.0	37.0	42.0

## Flow Capacities – L/Min

Model	Min. Flow*	Pressure Drop – Bar						
		.5	1.0	1.5	2.0	2.5	3.0	4.0
S59-2045	18.9	60.0	91.0	115.0	135.0	153.0	170.0	200.0

\*Recirculation system only (See diagram on Page 2). When properly installed near the hot water source with a **continuously operating** recirculation pump, the valve will maintain set temperature with a .5 GPM (2.0 L/Min) draw from the plumbing system.

## Code Compliance and Certifications

ASSE 1017 & cUPC certified.



Certified to NSF/ANSI 372

- Standard product selections contained within this document are third party CERTIFIED to NSF/ANSI 372 meeting the Lead-Free content requirement. Any product configured with custom options will be COMPLIANT with NSF/ANSI 372 meeting the Lead-Free content requirement.

## Configurable Valve Model (select one)

Model	Description
<input type="checkbox"/> TMV45	TMV45 Thermostatic Mixing Valve with Options
<input type="checkbox"/> CAB-TMV45	TMV45 Thermostatic Mixing Valve <b>Cabinet Only</b>

## Optional Valve Selections

Finish	
<input type="checkbox"/> R	Rough Brass (standard)
<input type="checkbox"/> C	Chrome Plated

Thermostat	
<input type="checkbox"/> S	Standard Range Thermostat
<input type="checkbox"/> L	Low Range Thermostat
<input type="checkbox"/> H	High Range Thermostat

Thermometer	
<input type="checkbox"/> T	Dial Thermometer
<input type="checkbox"/> 0	None

Bracket	
<input type="checkbox"/> B	Wall Mounting Bracket
<input type="checkbox"/> 0	None

Piped Assembly	
<input type="checkbox"/> P	Piped Assembly with Inlet and Outlet Shutoff
<input type="checkbox"/> N	Piped Assembly with Outlet Shutoff
<input type="checkbox"/> 0	None

## Optional Cabinet Selections

Cabinets (includes bracket)	
<input type="checkbox"/> SS	Surface Mount Stainless Steel
<input type="checkbox"/> RS	Recessed Stainless Steel
<input type="checkbox"/> SE	Surface Mount White Enamel
<input type="checkbox"/> RE	Recessed White Enamel
<input type="checkbox"/> 0	None

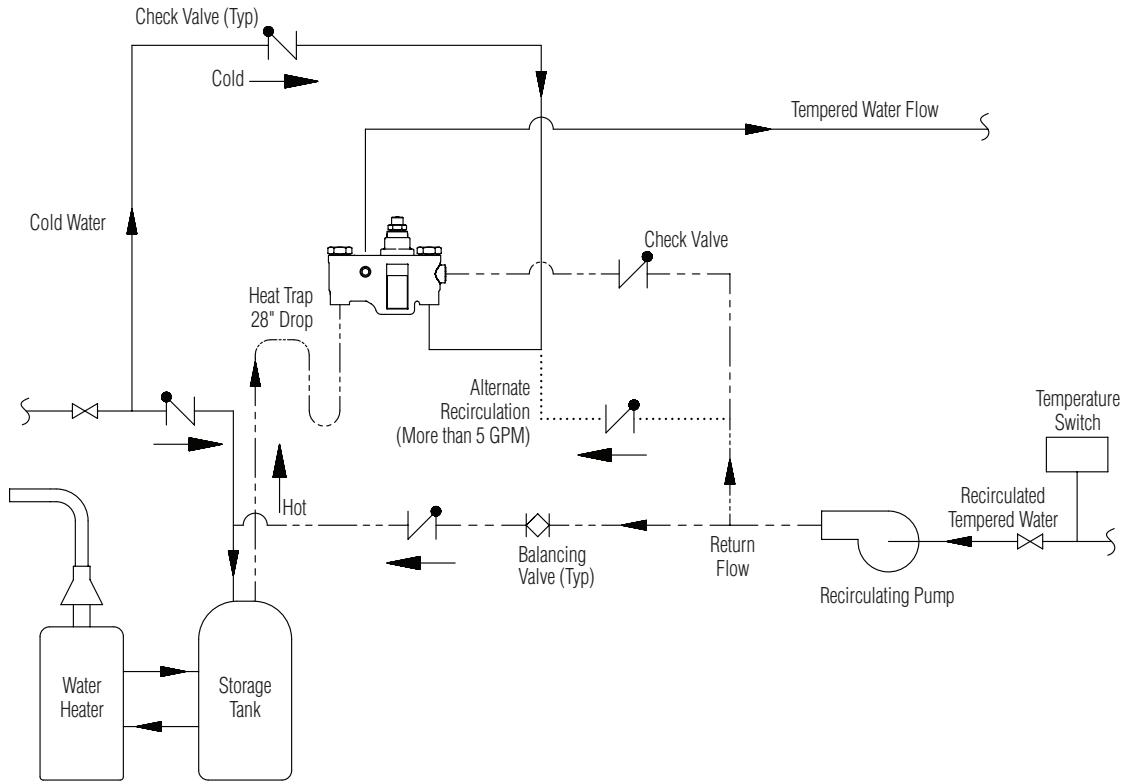
Window	
<input type="checkbox"/> W	Plexi-Glass Window in Door
<input type="checkbox"/> 0	None

Engineer's Approval \_\_\_\_\_



# S59-2045 (TMV45) Standard Thermostatic Mixing Valves

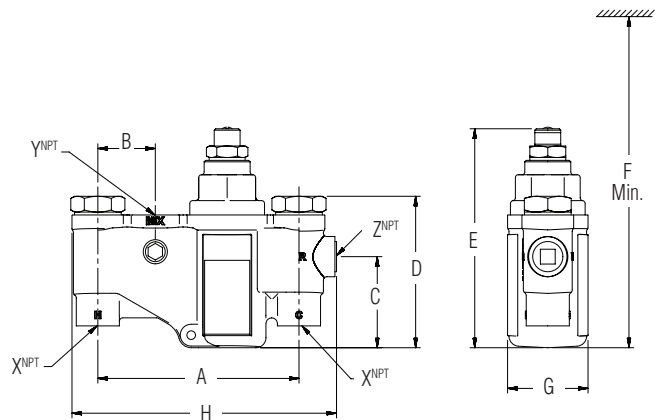
## Recirculation Diagram



## Dimensions – Inches (mm)

Model	A	B	C	D	E
S59-2045	7 (178)	2 (51)	3-1/8 (79)	5-1/4 (133)	7-5/8 (194)

Model	F	G	H	X <sup>NPT</sup>	Y <sup>NPT</sup>	Z <sup>NPT</sup>
S59-2045	14 (356)	2-3/4 (70)	9-3/16 (233)	3/4	1	3/4

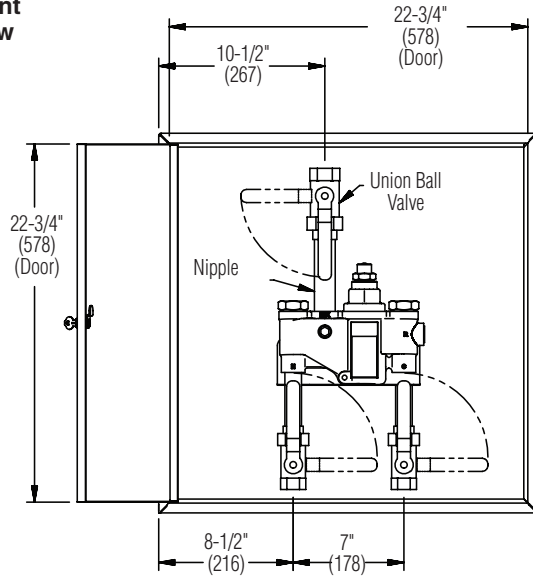




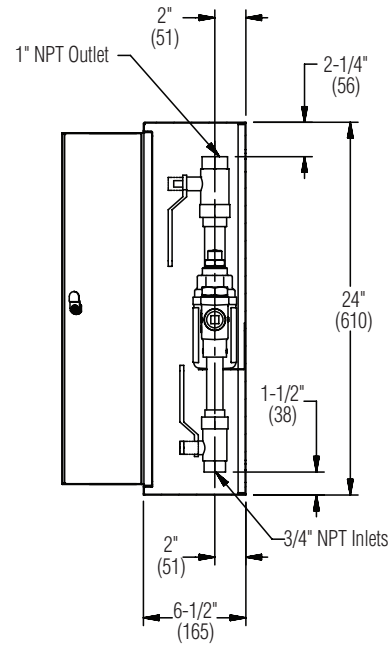
# S59-2045 (TMV45) Standard Thermostatic Mixing Valves

## Dimensions — TMV45 Surface Mounted

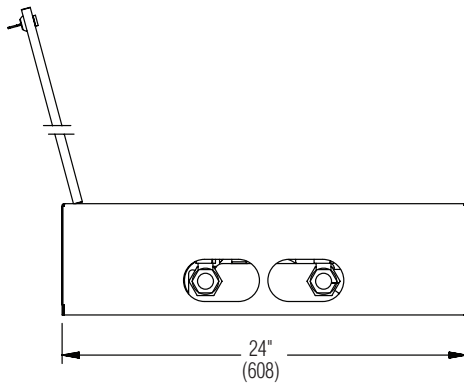
**Front View**



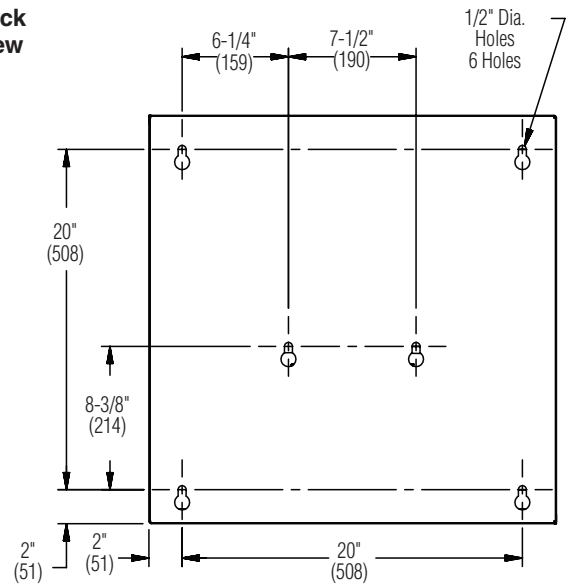
**Side View**



**Bottom View**



**Back View**

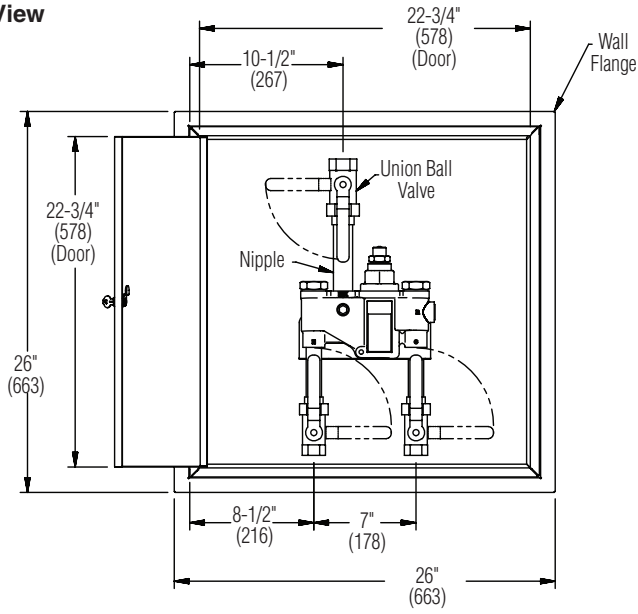




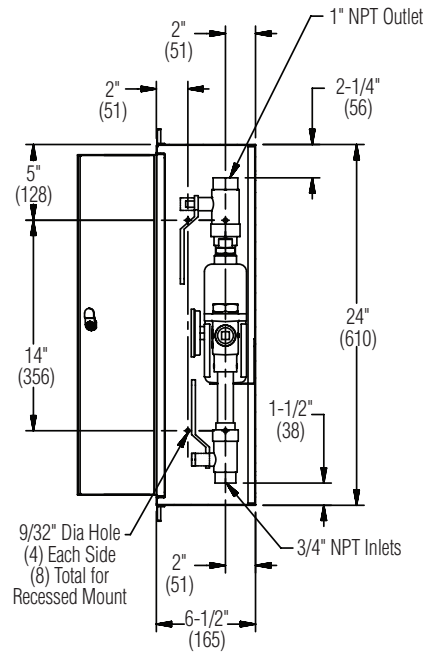
# S59-2045 (TMV45) Standard Thermostatic Mixing Valves

## Dimensions — TMV45 Recessed

**Front View**



**Side View**



**Bottom View**

