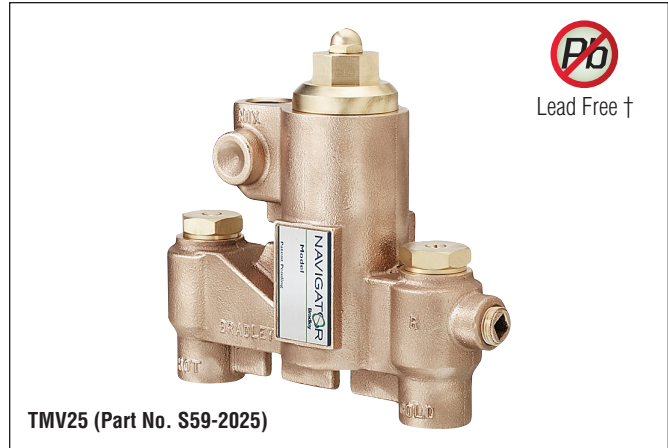




# S59-2025 (TMV25) Standard Thermostatic Mixing Valves

- Lead-Free Brass Design †
- Reliable Liquid-Filled Thermostat with 10 year warranty
- Integral Strainer Checkstops on Inlets
- Adjustable Set Point within Temperature Range
- Accurate Temperature Control
- Positive Shutoff of Hot Supply When Cold Supply is Lost
- Easy Installation and Serviceability
- Dirt and Lime Resistant
- Factory Assembled and Tested
- Cabinet Features:
  - 18 Gauge Body & Door
  - Inlet/Outlet Knock-Out Holes for Mounting Flexibility
  - Left-Hand Hinge
  - Stainless Steel or Baked White Enamel Finishes
  - Cylinder Lock
  - Surface-Mounted or Recessed Style with Flange



## Valve Specifications

### Maximum Operating Pressure

125 PSI (860 kPa)

### Maximum Inlet Temperature

200° F (93° C)

### Temperature Range

	Std.	Low	High	Set Point
	85° F (29° C) to 135° F (57° C)	50° F (10° C) to 100° F (38° C)	100° F (38° C) to 150° F (66° C)	110° F (43° C)
				80° F (27° C)
				130° F (54° C)

† Wetted surface contains less than .25% lead

### Flow Capacities – GPM

Model	Min. Flow*	Pressure Drop – PSI						
		5	10	15	20	30	45	60
S59-2025	2.0	5.5	9.0	13.0	16.0	20.0	25.0	29.0

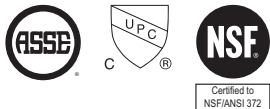
### Flow Capacities – L/Min

Model	Min. Flow*	Pressure Drop – Bar						
		.5	1.0	1.5	2.0	2.5	3.0	4.0
S59-2025	8.0	30.0	47.0	60.0	73.0	84.0	94.0	112.0

\*Recirculation system only (See diagram on Page 2). When properly installed near the hot water source with a **continuously operating** recirculation pump, the valve will maintain set temperature with a .5 GPM (2.0 L/Min) draw from the plumbing system.

## Code Compliance and Certifications

ASSE 1017 & cUPC certified. Complies with California Lead Plumbing Law.



Standard product selections contained within this document are third party CERTIFIED to NSF/ANSI 372 meeting the Lead-Free content requirement. Any product configured with custom options will be COMPLIANT with NSF/ANSI 372 meeting the Lead-Free content requirement.

## Valve Model

Model	Description
<input type="checkbox"/> S59-2025	Standard Thermostatic Mixing Valve

## Configurable Valve Model (select one)

Model	Description
<input type="checkbox"/> TMV25	TMV25 Thermostatic Mixing Valve with Options
<input type="checkbox"/> CAB-TMV25	TMV25 Thermostatic Mixing Valve <b>Cabinet Only</b>

## Optional Valve Selections

<b>Finish</b>	
<input type="checkbox"/> R	Rough Brass (standard)
<input type="checkbox"/> C	Chrome Plated
<b>Thermostat</b>	
<input type="checkbox"/> S	Standard Range Thermostat
<input type="checkbox"/> L	Low Range Thermostat
<input type="checkbox"/> H	High Range Thermostat
<b>Thermometer</b>	
<input type="checkbox"/> T	Dial Thermometer
<input type="checkbox"/> 0	None
<b>Bracket</b>	
<input type="checkbox"/> B	Wall Mounting Bracket
<input type="checkbox"/> 0	None
<b>Piped Assembly</b>	
<input type="checkbox"/> P	Piped Assembly with Inlet and Outlet Shutoff
<input type="checkbox"/> N	Piped Assembly with Outlet Shutoff
<input type="checkbox"/> 0	None

## Optional Cabinet Selections

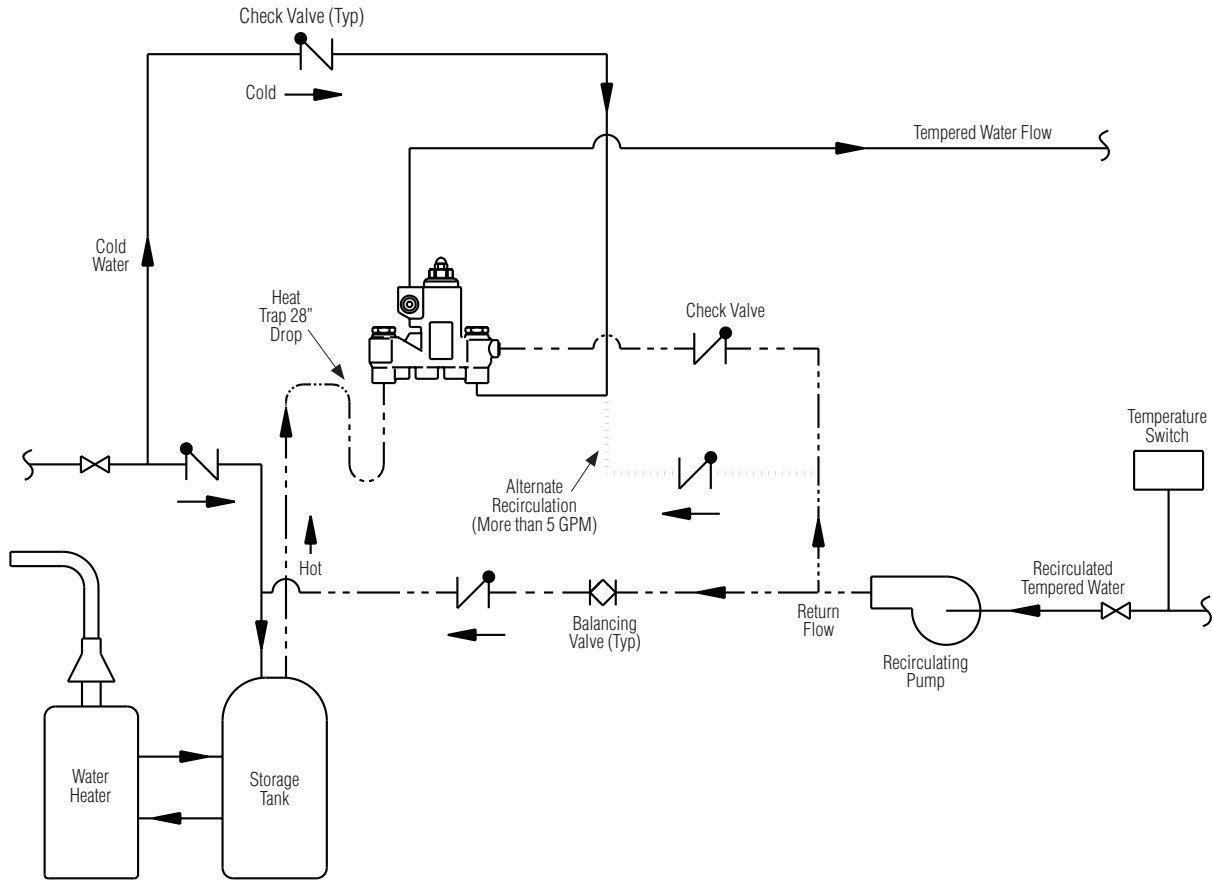
<b>Cabinets (includes bracket)</b>	
<input type="checkbox"/> SS	Surface Mount Stainless Steel
<input type="checkbox"/> RS	Recessed Stainless Steel
<input type="checkbox"/> SE	Surface Mount White Enamel
<input type="checkbox"/> RE	Recessed White Enamel
<input type="checkbox"/> 0	None
<b>Window</b>	
<input type="checkbox"/> W	Plexi-Glass Window in Door
<input type="checkbox"/> 0	None



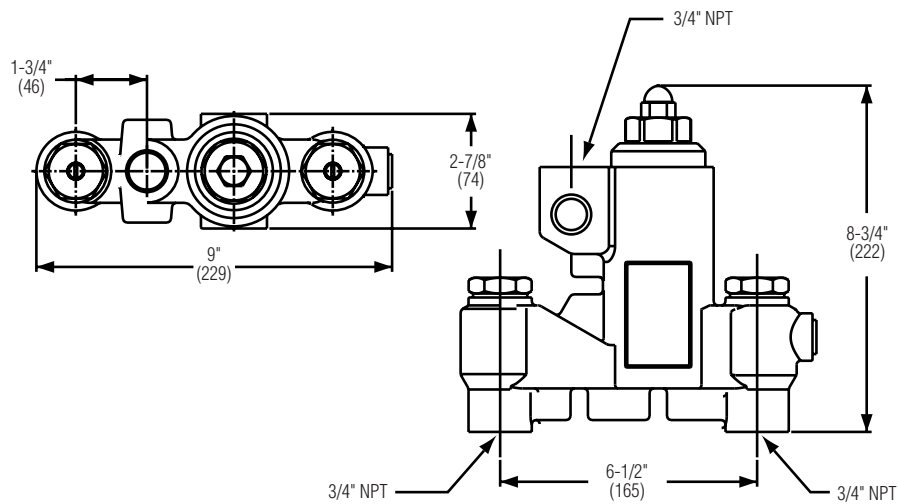
# S59-2025 (TMV25) Standard Thermostatic Mixing Valves

## Recirculation Diagram

(mm)



## Dimensions



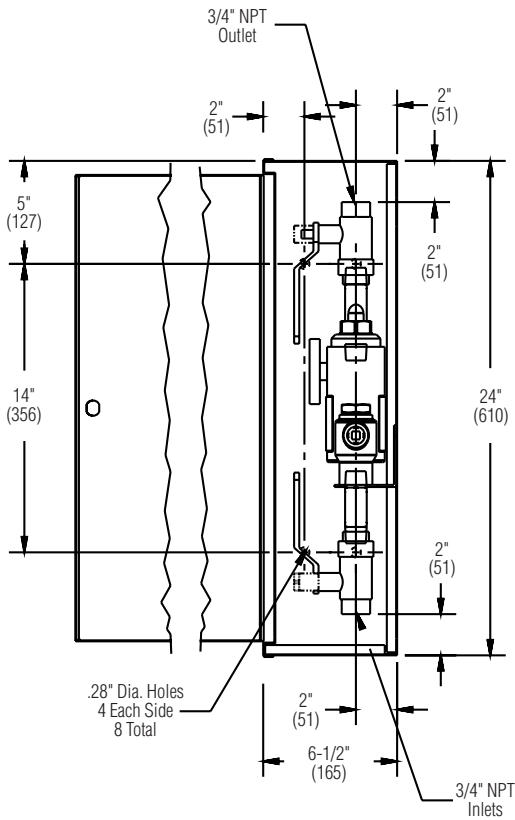


# S59-2025 (TMV25) Standard Thermostatic Mixing Valves

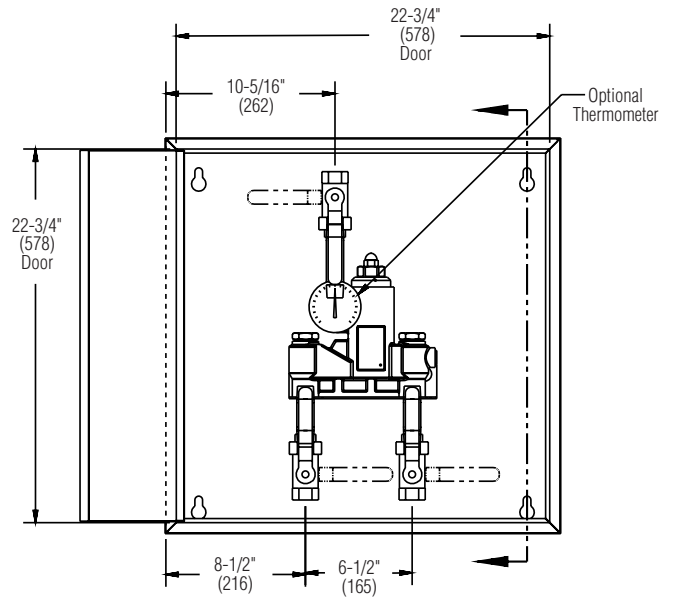
## Dimensions — TMV25 Surface-Mounted Cabinet

(mm)

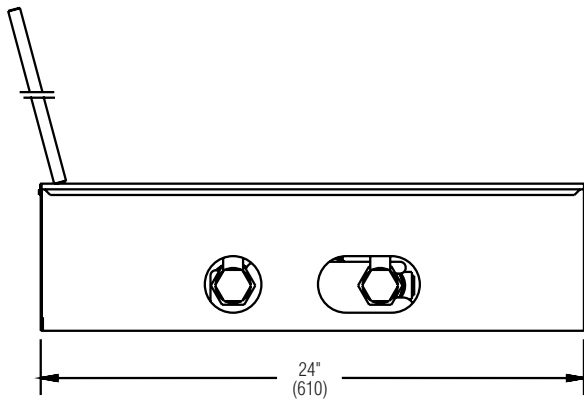
**Side View**



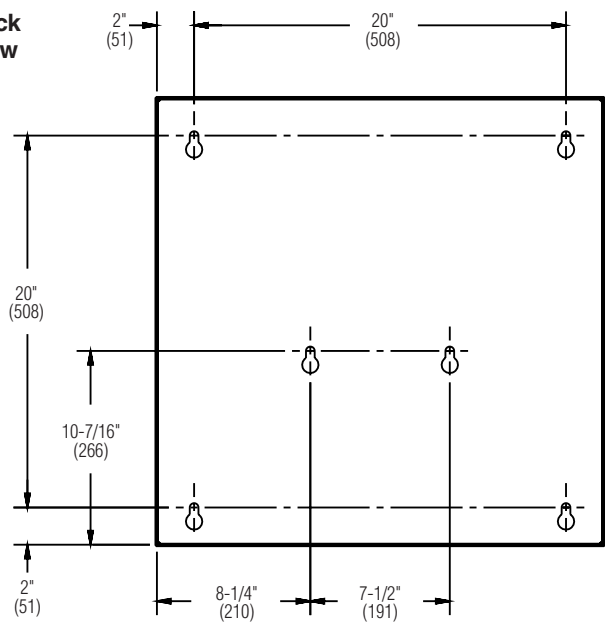
**Front View**



**Bottom View**



**Back View**





# S59-2025 (TMV25) Standard Thermostatic Mixing Valves

Dimensions — TMV25 Recessed Cabinet

(mm)

