



# Shower Valve Thermostatic Mixing Valves

- Durable Construction from Brass and Stainless Steel
- Reliable Wax-Filled Thermostat
- Responds to Changes of Incoming Pressure or Temperature
- ASSE 1016, Type T Certified
- Checkstops on Inlets
- Adjustable Set Point within Temperature Range
- Easy Installation and Serviceability
- Dirt and Lime Resistant
- Factory Assembled and Tested
- Standard NPT Plumbing

## Specification

Thermostatic water mixing valve shall consist of a piston control mechanism with positive shut-off of hot water when cold water supply is lost. Construction shall be bronze body and cap with replaceable corrosion resistant components, including stainless steel piston and liner. Valve shall be certified to ASSE 1016, Type T. Thermostatic valve shall be Bradley Model S59-2005.

## Valve Specifications

### Maximum Operating Pressure

125 PSI (860 kPa)

### Maximum Inlet Temperature

180° F (82° C)

### Temperature Range\*

Std. Cold to 110° F (43° C)

### Set Point

110° F (43° C)

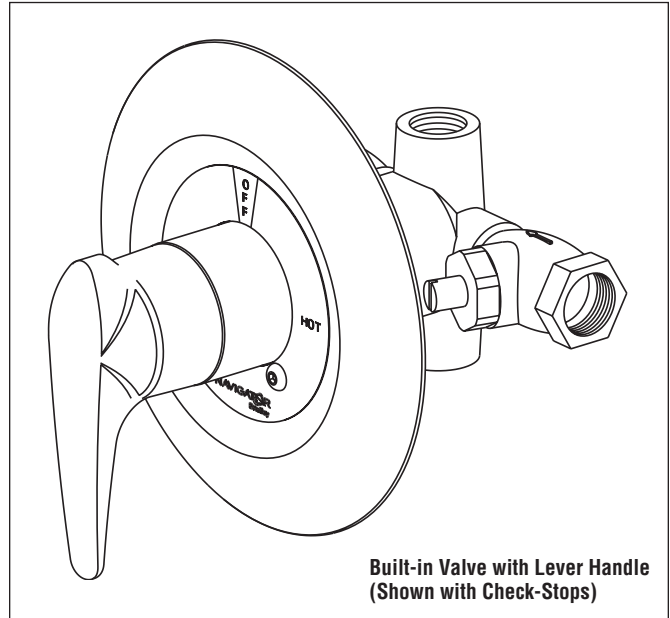
### Flow Capacities – GPM (L/Min)

Model	Min Flow	Pressure Drop – PSI (Bar)						
		5 (.5)	10 (1.0)	15 (1.5)	20 (2.0)	30 (2.5)	45 (3.0)	60 (4.0)
S59-2005	0.5 (2.0)	1.5 (6.0)	2.0 (8.0)	2.25 (10.0)	2.5 (11.5)	3.0 (13.0)	4.0 (14.5)	4.5 (16.5)

\* Temperature range is based on a hot water inlet of at least 130° F (54° C). Exact temperature range may vary slightly.

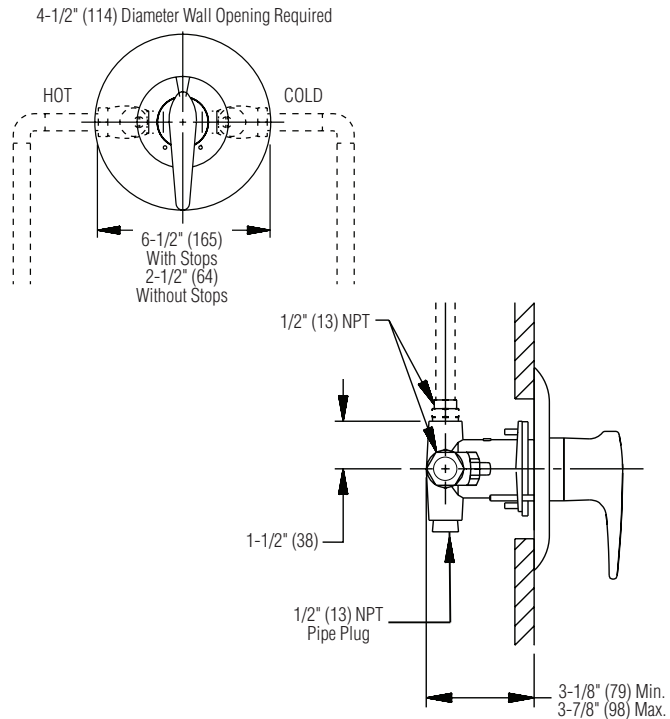


# NAVIGATOR



## Dimensions

(mm)



Engineer's Approval \_\_\_\_\_