



SafeCare™ Shower Valve Equa-Flo HD Pressure Balancing Valve

- Ligature-Resistant Handle
- Durable Construction from Brass and Stainless Steel
- Durable Stainless Steel Balancing Piston
- Checkstops on Inlets
- 1/2" Diameter Chrome-Plated Brass Stem
- ASSE 1016 Certified
- Factory Assembled and Tested
- Easy Installation and Serviceability

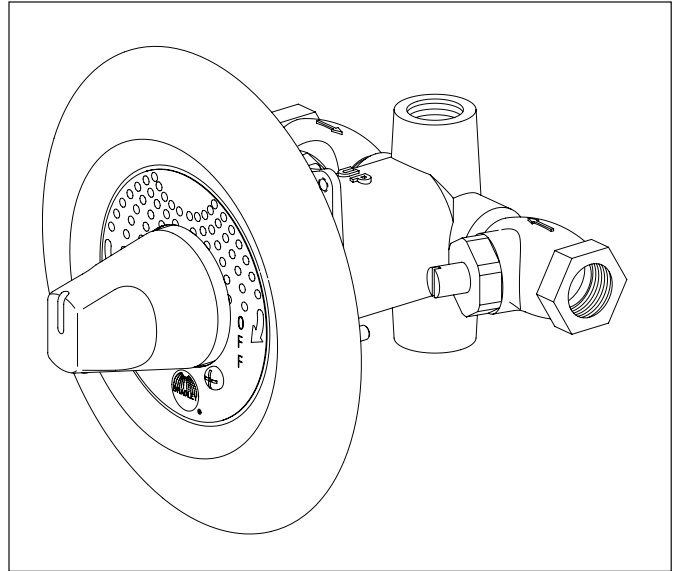
Specification

Pressure balancing valves automatically compensate for changes in supply pressure keeping shower temperature constant.

Operation

Control handle rotates from off through cold to hot. Volume is constant. Water temperature is maintained by a stainless steel piston which instantly detects changes in supply pressures and automatically adjusts discharge ports keeping shower temperature constant to within 2° of desired setting.

Maximum delivery temperature is controlled by an adjustable limit stop which restricts the amount of hot water entering the valve. Should either hot or cold supply fail, the valve will shut off so as not to produce a spray or significant flow through showerhead.



Non-cancelable, non-returnable

Valve Specifications

Maximum Operating Pressure

125 PSI (860 kPa)

Connections

1/2" NPT

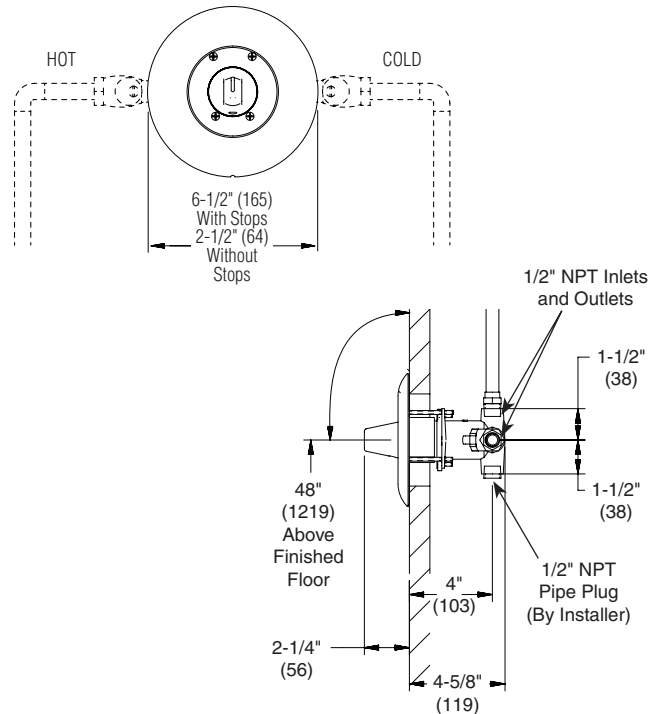
Flow Capacities – GPM (L/Min)

Model	Min Flow	Pressure Drop – PSI (Bar)							
		5 (.5)	10 (1.0)	15 (1.5)	20 (2.0)	30 (2.5)	45 (3.0)	60 (4.0)	
S59-1005SR	0.5	2.0	2.5	3.0	3.5	4.5	5.5	6.0	
Suffix HDSR	(2.0)	(8.5)	(11.5)	(14.0)	(16.0)	(18.0)	(20.0)	(22.5)	

Dimensions

(mm)

4-1/2" (114) Diameter Wall Opening Required



Engineer's Approval _____