

- Exceeds American National Standard Z358.1 Specifications
- Includes Wall-Mounting Bracket, Universal Identification Sign and Inspection Tag
- Full, One-Year Warranty — Water Preservative Not Included

## Specifications

**S19-921:** Self-contained eyewash unit is ideal anywhere water supply is not available. Flushes eyes for 15 minutes at a minimum of 0.4 gallons/minute by using only 7 gallons of water. Transparent tank assembly lets you see at a glance when it's time to clean or refill the tank. Sturdy pedestal with hinged eyewash tray pulls down in one quick motion. Removable tank is inverted onto pedestal, piercing a liner. Stainless steel clamps hold tank to pedestal. When arm is pulled down, water flow is activated.

**This unit is not rated for outdoor use.**

## Construction

Refillable eyewash tank fills to 7 gallons. Weighs 60 lbs. filled and 3.5 lbs. empty. Transparent tank made of impact resistant plastic, colored bright yellow for high visibility in emergency situations. Pedestal supports the eyewash tank and weighs 6 lbs. The yellow pedestal and black pull-down arm are made of impact-resistant and chemical-resistant plastic. Wall bracket is stainless steel.

## Standard Equipment

### Tank

12"H x 22"W x 9"D tank made of transparent yellow polycarbonate.

### Pedestal

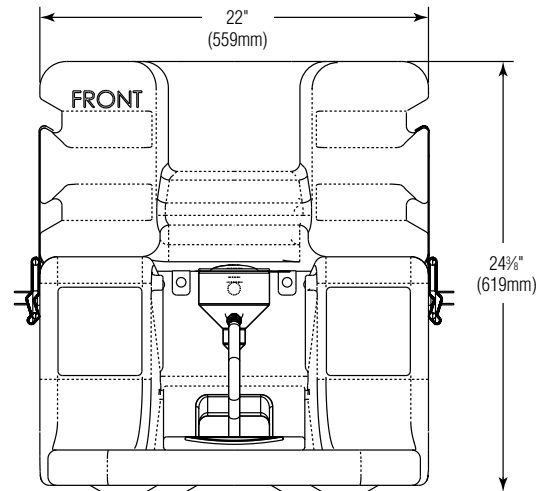
13½"H x 22"W x 18½"D pedestal made of opaque yellow polypropylene, with a black polypropylene pull-down arm.

### Wall Bracket

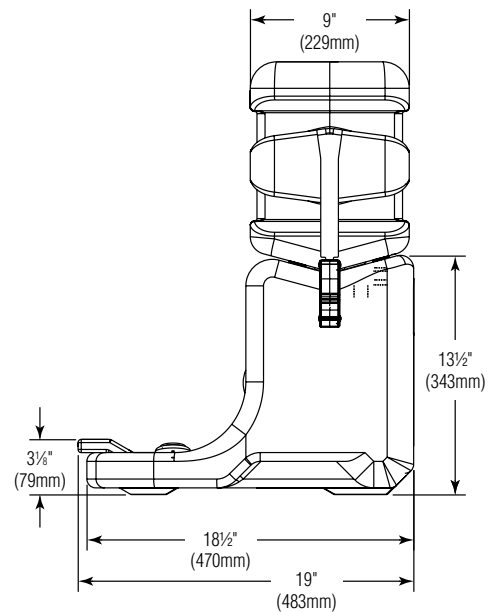
Stainless steel mounting bracket.

### Waste

Nipple for ½" I.D. tube.



**S19-921**



Model	Description
<input type="checkbox"/> S19-921	On-Site Gravity Fed Eyewash