

- Complies with American National Standard Z358.1
- Universal Identification Sign and Inspection Tag Included
- Full, One-Year Warranty
- Classified by Underwriters Laboratory Inc. to ANSI Z358.1



### Specifications

Barrier-free accessibility. Unit design saves space and fits easily into any work environment. Eye/face wash operates quickly by a stainless steel push handle. Safe, steady water flow under varying water supply conditions from 30-90 PSI is assured by integral flow control in the sprayhead assembly. NOTE: The ANSI Z358.1 standard requires an uninterrupted supply of flushing fluid at a minimum 30 PSI flowing pressure.

### Standard Equipment

#### Eyewash Bowl

10" (254) diameter corrosion-resistant stainless steel.

#### Standard Sprayhead Assembly

Chrome-plated brass sprayhead assembly with twin soft-flow eyewash heads and protective sprayhead covers. Safe, steady water flow under varying water supply conditions from 30-90 PSI is assured by integral flow control in the sprayhead assembly.

#### Face Spray Ring

Chrome-plated circular spray ring provides supplemental face spray. Flow control assures adequate flow from eyewash nozzles and face spray ring from 30-90 PSI.

#### Valve

Chrome-plated brass 1/2" NPT stay-open ball valve. Hand operated by a large, stainless steel push handle.

#### Pipe and Fittings

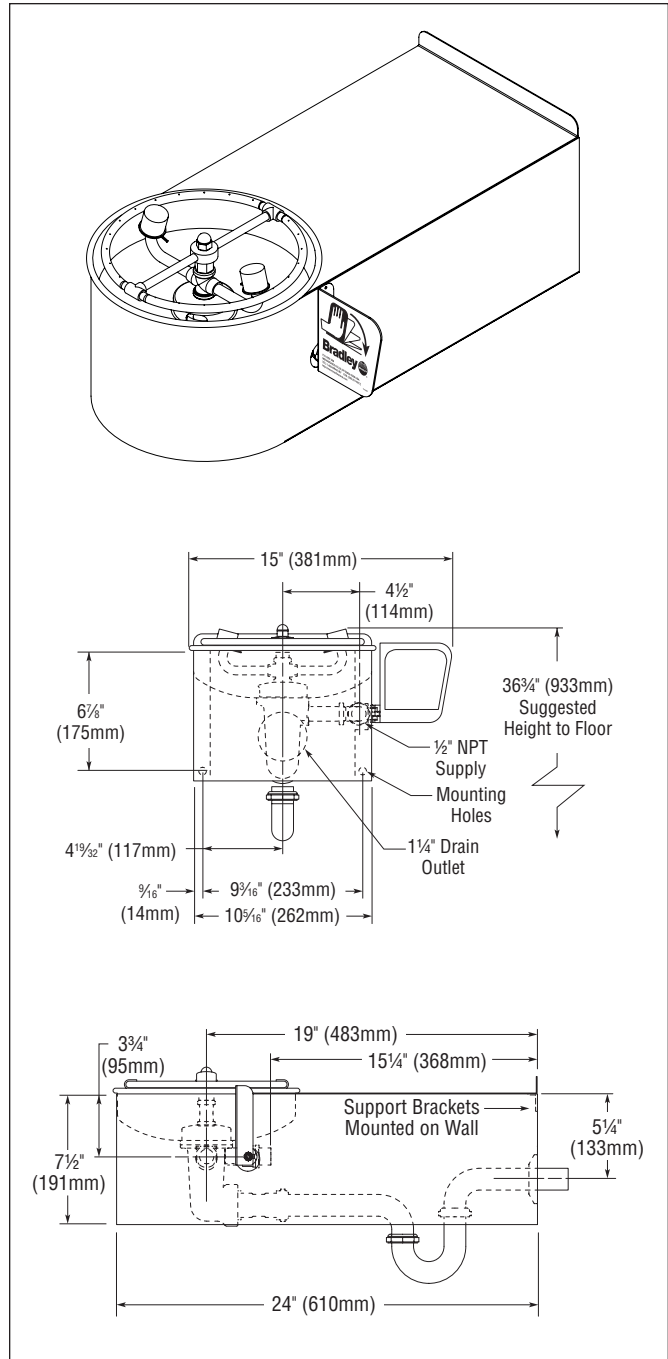
2" chrome-plated brass.

#### Waste

1/4" drain fitting, wall tube and trap furnished.

#### Water Supply

1/2" NPT.



**Recommended Option:**  
Navigator S19-2000 EFX8  
Emergency Thermostatic Mixing Valve

**NAVIGATOR**

Satisfies ANSI Z358.1  
tepid water requirements.

Model	Description
<input type="checkbox"/> S19-220BF	Wall-Mounted Eye/Face Wash Unit with Wraparound Skirt (Barrier-Free)
<input type="checkbox"/> S19-2000	Navigator EFX8 – Emergency Thermostatic Mixing Valve