



# S19-2200 (EFX60) Emergency Fixture Thermostatic Mixing Valves

- Exceeds ANSI Z358.1
- Reliable Liquid-Filled Thermostat with 10-Year Warranty
- Integral Strainer Checkstops on Inlets
- Adjustable Set Point within Temperature Range
- Accurate Temperature Control to within  $\pm 3^\circ$  F
- Built-in Cold Water Bypass, Assuring Cold Flow
- Positive Shutoff of Hot Supply When Cold Supply is Lost
- Easy Installation and Serviceability
- Dirt and Lime Resistant
- Dial Thermometer
- Factory Assembled and Tested
- Universal Mounting Capability
- Cabinet Features:
  - 18 Gauge Body & Door
  - Left-Hand Hinge
  - Cylinder Lock
  - Inlet/Outlet Knock-Out Holes for Mounting Flexibility
  - Stainless Steel or Baked White Enamel Finishes
  - Surface-Mounted or Recessed Style

## Valve Specifications

### Maximum Operating Pressure

125 PSI (860 kPa)

### Maximum Inlet Temperature

180° F (82° C)

### Recommended Inlet Temperature

120° F (49° C) – 140° F (60° C)

### Temperature Range

Std. 65° F (18° C) to 95° F (35° C)

### Set Point

85° F (29° C)

### Flow Capacities – GPM

Model	Min. Flow	Pressure Drop – PSI						
		5	10	15	20	30	45	60
S19-2200	2	22.0	31.0	38.0	43.5	53.5	65.5	75.5
Cold Bypass Only		16.5	23.5	29.0	33.5	41.0	50.0	58.0

### Flow Capacities – L/Min

Model	Min. Flow	Pressure Drop – Bar						
		.5	1.0	1.5	2.0	2.5	3.0	4.0
S19-2200	7.5	99.5	141.0	172.5	199.0	222.5	244.0	281.5
Cold Bypass Only		76.3	108.0	132.0	152.5	170.5	187.0	216.0

This plumbing fixture is not intended to dispense water for human consumption through drinking or for preparation of food or beverages.

Engineer's Approval \_\_\_\_\_



## Valve Model

### Model

S19-2200

### Description

Emergency Fixture Thermostatic Mixing Valve

## Configurable Valve Model (select one)

### Model

EFX60

### Description

EFX60 Thermostatic Mixing Valve with Options

CAB-EFX60

EFX60 Thermostatic Mixing Valve **Cabinet Only**

## Optional Valve Selections

### Finish

R

Rough Brass (standard)

C

Chrome Plated

### Bracket

B

Wall Mounting Bracket

O

None

### Piped Assembly

P

Piped Assembly with Inlet and Outlet Shutoff

N\*

Piped Assembly only

O

None

## Optional Cabinet Selections

### Cabinets (includes bracket)

SS

Surface Mount Stainless Steel

RS

Recessed Stainless Steel

SE

Surface Mount White Enamel

RE

Recessed White Enamel

O

None

### Window

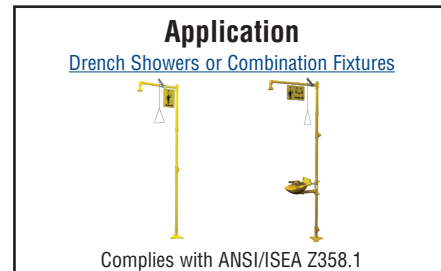
W

Plexi-Glass Window in Door

O

None

\*Requires cabinet selection

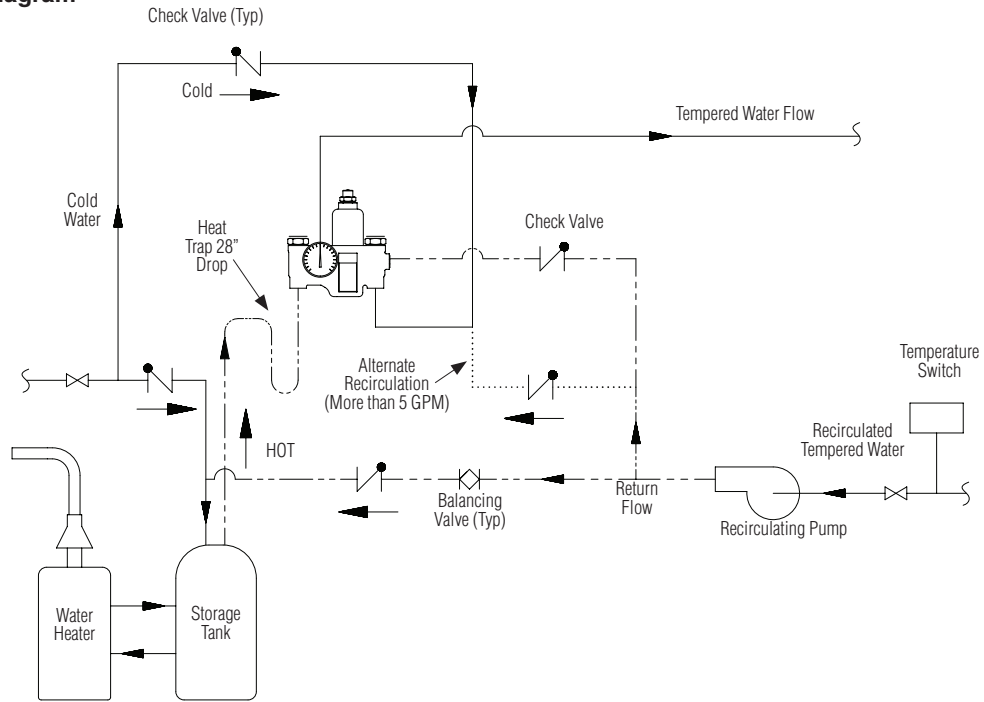




# S19-2200 (EFX60) Emergency Fixture Thermostatic Mixing Valves

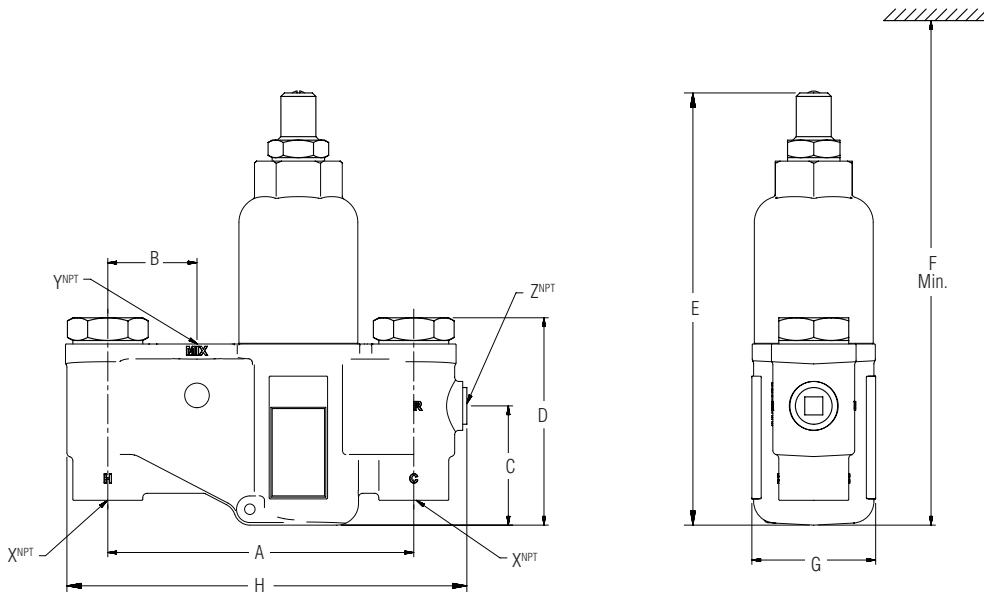
## Recirculation Diagram

(mm)



## Dimensions

Model	A	B	C	D	E	F	G	H	X <sup>NPT</sup>	Y <sup>NPT</sup>	Z <sup>NPT</sup>
S19-2200	8-3/4" (224)	2-1/2" (64)	3-3/8" (86)	5-7/8" (149)	12-1/4" (312)	19" (483)	3-1/2" (90)	11-1/2" (292)	1"	1-1/4"	3/4"



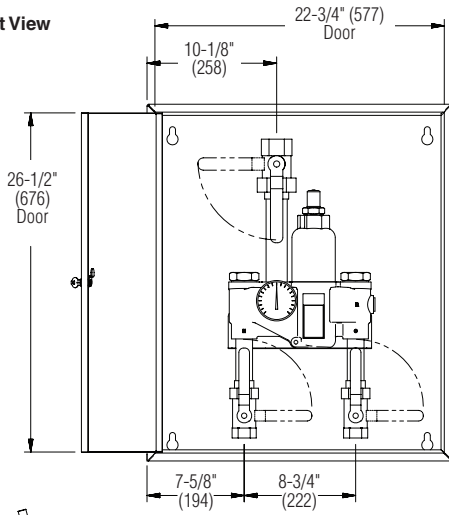


# S19-2200 (EFX60) Emergency Fixture Thermostatic Mixing Valves

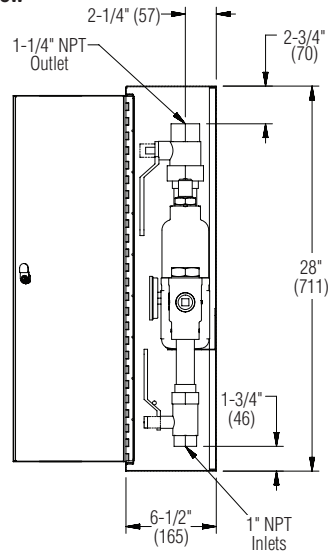
## Dimensions — Surface-Mounted Cabinet

(mm)

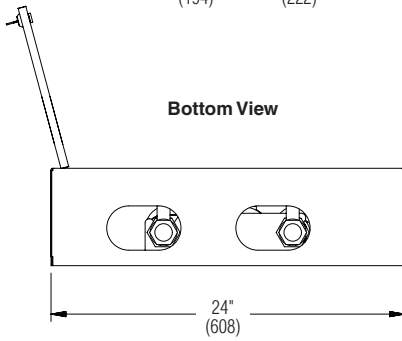
Front View



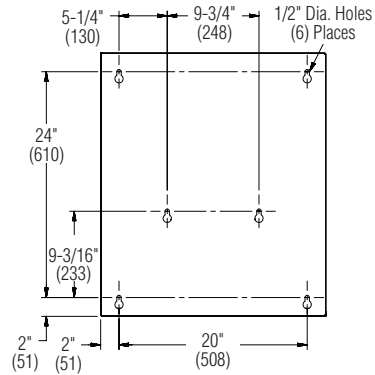
Side View



Bottom View



Mounting Hole Locations





# S19-2200 (EFX60) Emergency Fixture Thermostatic Mixing Valves

## Dimensions — Recessed Cabinet

(mm)

