



# S19-2100 (EFX25) Emergency Fixture Thermostatic Mixing Valve

- Exceeds ANSI Z358.1
- Reliable Liquid-Filled Thermostat with 10-Year Warranty
- Integral Strainer Checkstops on Inlets
- Adjustable Set Point within Temperature Range
- Accurate Temperature Control to within  $\pm 3^{\circ}$  F
- Built-in Cold Water Bypass, Assuring Cold Flow
- Positive Shutoff of Hot Supply When Cold Supply is Lost
- Easy Installation and Serviceability
- Dirt and Lime Resistant
- Dial Thermometer
- Factory Assembled and Tested
- Universal Mounting Capability
- Cabinet Features:
  - 18 Gauge Body & Door
  - Left-Hand Hinge
  - Cylinder Lock
  - Inlet/Outlet Knock-Out Holes for Mounting Flexibility
  - Stainless Steel or Baked White Enamel Finishes
  - Surface-Mounted or Recessed Style

## Valve Specifications

### Maximum Operating Pressure

125 PSI (860 kPa)

### Maximum Inlet Temperature

180° F (82° C)

### Recommended Inlet Temperature

120° F (49° C) – 140° F (60° C)

### Temperature Range

Std. 65° F (18° C) to 95° F (35° C)

### Set Point

85° F (29° C)

### Flow Capacities – GPM

Model	Min. Flow	Pressure Drop – PSI						
		5	10	15	20	30	45	60
S19-2100	2.0	10.5	15.0	18.5	21.3	26.0	32.0	37.0
Cold Bypass Only		8.0	11.5	14.0	16.5	20.0	24.5	28.0

### Flow Capacities – L/Min

Model	Min. Flow	Pressure Drop – Bar						
		.5	1.0	1.5	2.0	2.5	3.0	4.0
S19-2100	5.5	48.5	68.5	84.0	97.0	108.5	119.0	137.0
Cold Bypass Only		37.0	52.0	64.5	74.0	83.0	91.0	105.0



*This plumbing fixture is not intended to dispense water for human consumption through drinking or for preparation of food or beverages.*

Engineer's Approval \_\_\_\_\_



## Valve Model

### Model

S19-2100

### Description

Emergency Fixture Thermostatic Mixing Valve

## Configurable Valve Model (select one)

### Model

EFX25

### Description

EFX25 Thermostatic Mixing Valve with Options

CAB-EFX25

EFX25 Thermostatic Mixing Valve **Cabinet Only**

## Optional Valve Selections

### Finish

R

Rough Brass (standard)

C

Chrome Plated

### Bracket

B

Wall Mounting Bracket

0

None

### Piped Assembly

P

Piped Assembly with Inlet and Outlet Shutoff

N\*

Piped Assembly only

0

None

## Optional Cabinet Selections

### Cabinets (includes bracket)

SS

Surface Mount Stainless Steel

RS

Recessed Stainless Steel

SE

Surface Mount White Enamel

RE

Recessed White Enamel

0

None

### Window

W

Plexi-Glass Window in Door

0

None

\*Requires cabinet selection

## Application

[Drench Showers or Combination Fixtures](#)



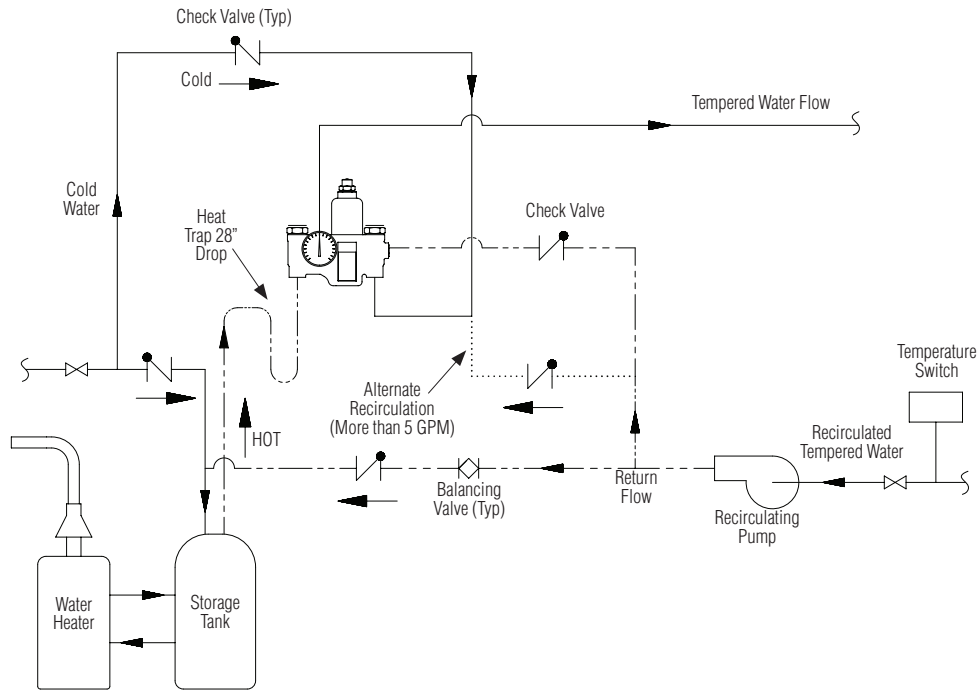
Complies with ANSI/ISEA Z358.1



# S19-2100 (EFX25) Emergency Fixture Thermostatic Mixing Valve

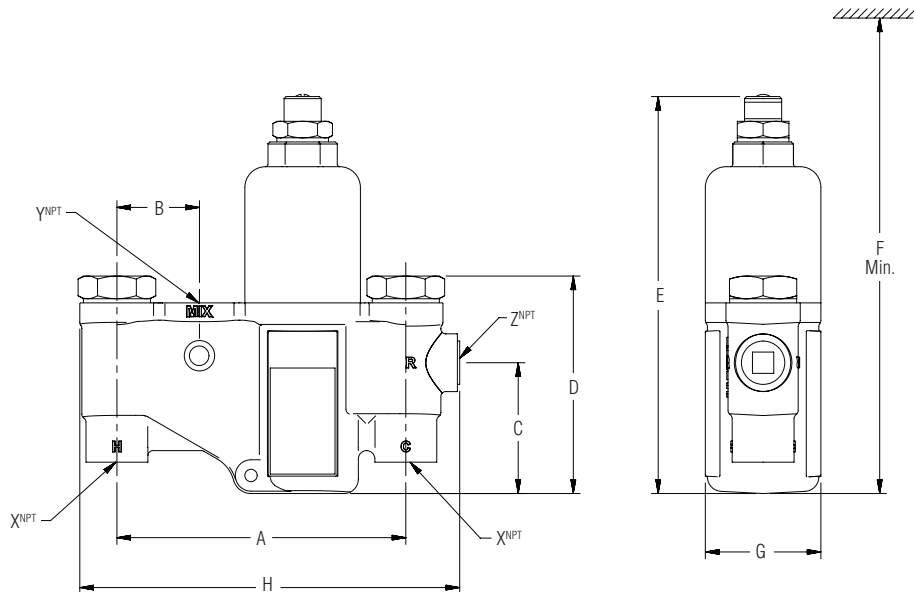
## Recirculation Diagram

(mm)



## Dimensions

Model	A	B	C	D	E	F	G	H	X <sup>NPT</sup>	Y <sup>NPT</sup>	Z <sup>NPT</sup>
S19-2100	7" (178)	2" (51)	3-1/8" (79)	5-1/4" (133)	9-5/8" (244)	14" (356)	2-3/4" (70)	9-3/16" (230)	3/4"	1"	3/4"





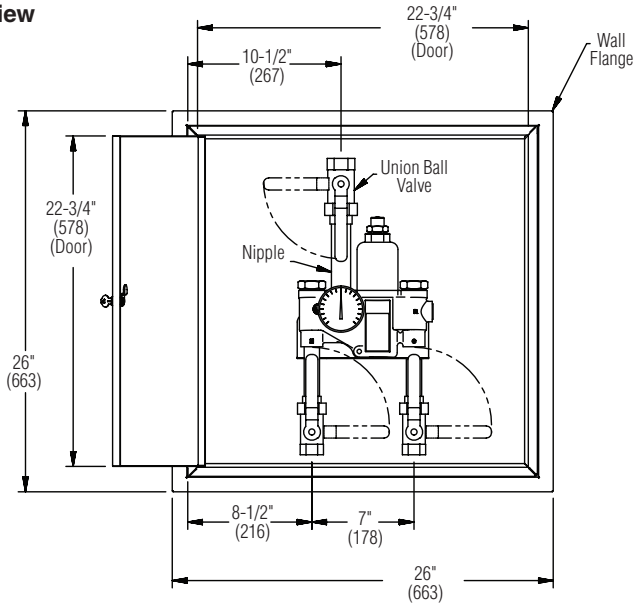


# S19-2100 (EFX25) Emergency Fixture Thermostatic Mixing Valve

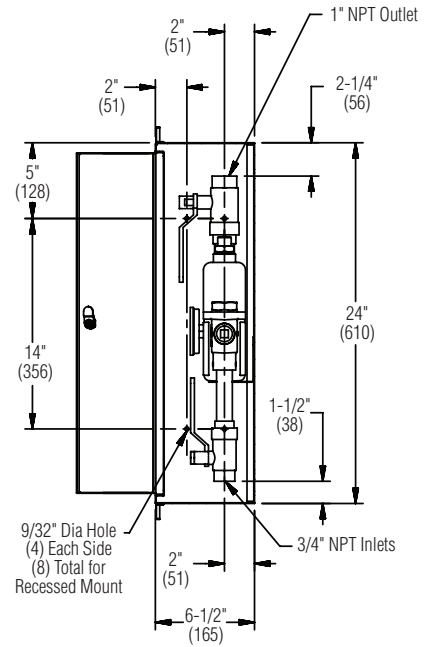
Dimensions — Recessed Cabinet

(mm)

**Front View**



**Side View**



**Bottom View**

