

Shower Valves

Equa-Flo C5 Pressure-Balancing Valve

- Durable brass valve body and cap
- Durable stainless steel balancing piston
- Reliable ceramic disc cartridge
- Tamper-resistant brass limit stops
- ADA-Compliant Handle
- Factory assembled and tested
- ASSE 1016 Certified
- Easy installation and serviceability
- Reversible for back-to-back installation
- Checkstops on inlets

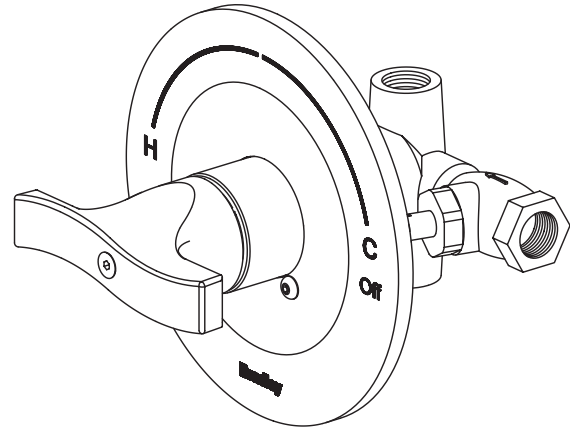


Pressure-balancing valves automatically compensate for changes in supply pressure keeping shower temperature constant. This anti-scald protection feature makes these valves the best choice for many school, hospital, and nursing home applications.

Operation

Control handle rotates from off through cold to hot. Volume is constant. The ceramic disc cartridge has no wearing parts providing reliable drip free performance.

Water temperature is maintained by a stainless steel piston which instantly detects changes in supply pressures and automatically adjusts discharge ports keeping shower temperature constant to within 2° of desired setting. Maximum delivery temperature is controlled by an adjustable limit stop which restricts the amount of hot water entering the valve. Should either hot or cold supply fail, the valve will shut off so as not to produce a spray or significant flow through showerhead.



Built-in Valve with Chrome Handle
(Shown with check-stops)

Valve Specifications

Maximum Operating Pressure

125 PSI (860 kPA)

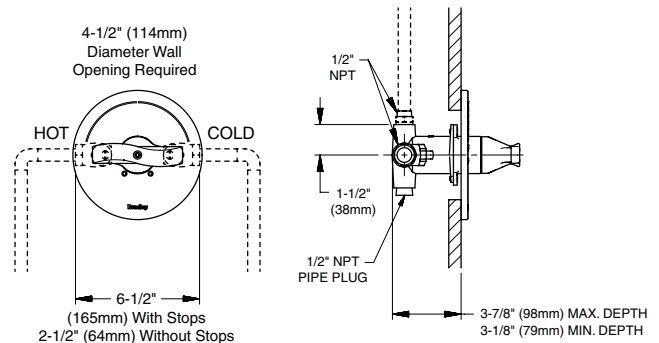
Connections: 1/2" NPT

Flow Capacities – GPM

Model	PRESSURE DROP – PSI						
	5	10	15	20	30	45	60
S59-1001 Suffix C5	2.0	2.5	3.0	3.5	4.0	5.0	6.0

Flow Capacities – L/Min

Model	PRESSURE DROP – BAR						
	0.5	1.0	1.5	2.0	2.5	3.0	4.0
S59-1001 Suffix C5	8.0	11.0	13.5	15.5	17.5	19.0	22.0



Rough-in

Sample Specification

Pressure-balancing valve shall have brass valve body with integral checkstops on valve inlets. Valve cartridge shall be ceramic disc with stainless steel balancing piston with no wearing parts. Valve shall have adjustable hot temperature limit stop, and ADA-compliant lever handle. Pressure-balancing valve shall be Bradley Equa-Flo C5 model S59-1001.

Document No. 5331

