



S19-2250 (EFX50) Emergency Fixture Thermostatic Mixing Valves

- Exceeds ANSI Z358.1
- ASSE 1071 Certified
- Reliable Liquid-Filled Thermostat with 10-Year Warranty
- Integral Strainer Checkstops on Inlets
- Adjustable Set Point within Temperature Range
- Accurate Temperature Control to within $\pm 3^\circ$ F
- Built-in Cold Water Bypass, Assuring Cold Flow
- Positive Shutoff of Hot Supply When Cold Supply is Lost
- Easy Installation and Serviceability
- Dirt and Lime Resistant
- Dial Thermometer
- Factory Assembled and Tested
- Universal Mounting Capability
- Cabinet Features:
 - 18 Gauge Body & Door
 - Left-Hand Hinge
 - Cylinder Lock
 - Inlet/Outlet Knock-Out Holes for Mounting Flexibility
 - Stainless Steel or Baked White Enamel Finishes
 - Surface-Mounted or Recessed Style

Valve Specifications

Maximum Operating Pressure

125 PSI (860 kPA)

Maximum Inlet Temperature

180° F (82° C)

Recommended Inlet Temperature

120° F (49° C) – 140° F (60° C)

Temperature Range

Std. 65° F (18° C) to 90° F (32° C)

Set Point

85° F (29° C)

Flow Capacities – GPM

Model	Min. Flow	Pressure Drop – PSI						
		5	10	15	20	30	45	60
S19-2250	3	15.0	22.0	27.0	32.0	40.5	54.0	65.0

Minimum cold water bypass at 30 PSID: 28.5 GPM

Flow Capacities – L/Min

Model	Min. Flow	Pressure Drop – Bar						
		.5	1.0	1.5	2.0	2.5	3.0	4.0
S19-2250	11.5	70.0	100.0	127.0	153.0	177.0	200.0	240.0

Minimum cold water bypass at 2.1 Bar: 106 L/Min

This plumbing fixture is not intended to dispense water for human consumption through drinking or for preparation of food or beverages.

Code Compliance and Certifications

ASSE 1071 & UPC certified.



Engineer's Approval _____



Valve Model

Model

S19-2250

Description

Emergency Fixture Thermostatic Mixing Valve

Configurable Valve Model (select one)

Model

EFX50

Description

EFX50 Thermostatic Mixing Valve with Options

CAB-EFX50

EFX50 Thermostatic Mixing Valve **Cabinet Only**

Optional Valve Selections

Finish

R

Rough Brass (standard)

C

Chrome Plated

Bracket

B

Wall Mounting Bracket

0

None

Piped Assembly

P

Piped Assembly with Inlet and Outlet Shutoff

N*

Piped Assembly only

0

None

Optional Cabinet Selections

Cabinets (includes bracket)

SS

Surface Mount Stainless Steel

RS

Recessed Stainless Steel

SE

Surface Mount White Enamel

RE

Recessed White Enamel

0

None

Window

W

Plexi-Glass Window in Door

0

None

*Requires cabinet selection



Application

[Combination Fixtures](#)

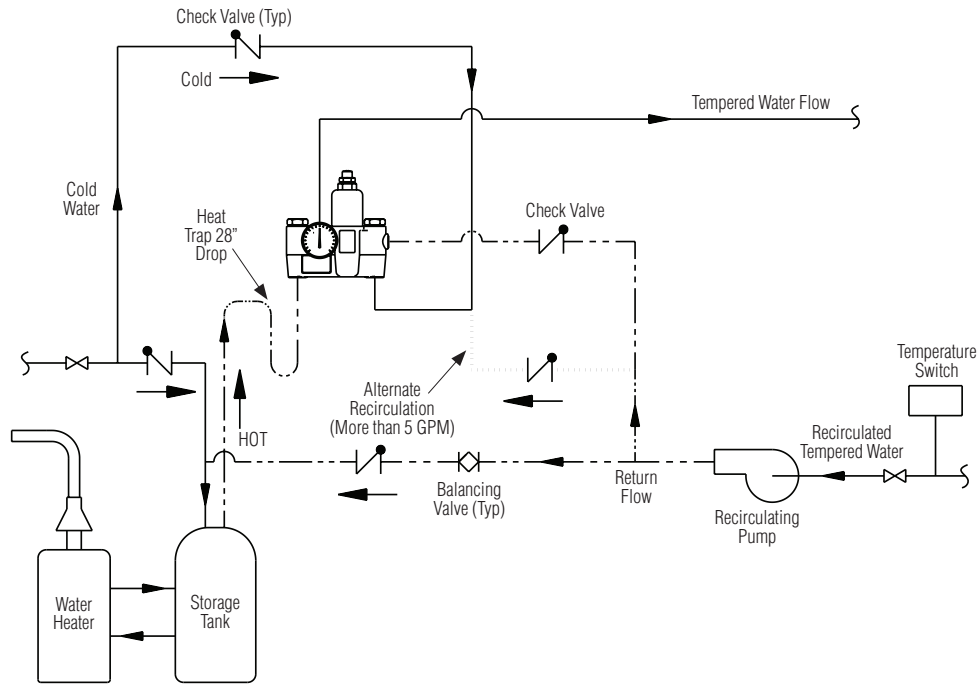
Complies with
ANSI/ISEA Z358.1



S19-2250 (EFX50) Emergency Fixture Thermostatic Mixing Valves

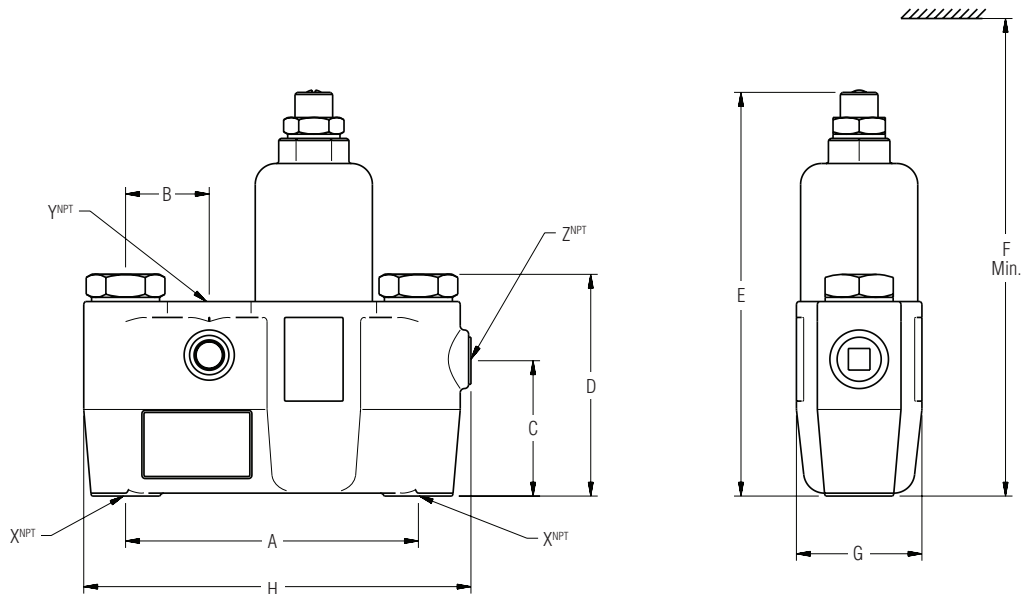
Recirculation Diagram

(mm)



Dimensions

Model	A	B	C	D	E	F	G	H	X ^{NPT}	Y ^{NPT}	Z ^{NPT}
S19-2250	8-3/4" (224)	2-1/2" (64)	3-1/2" (89)	5-1/4" (135)	12-1/4" (312)	19" (483)	3-5/8" (91)	11-3/8" (290)	1"	1-1/4"	3/4"





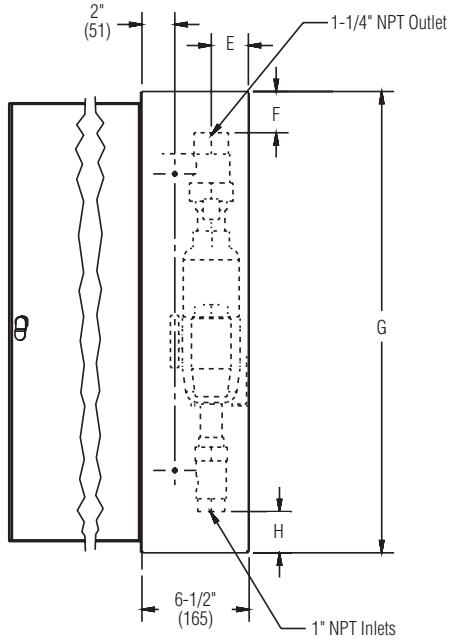
S19-2250 (EFX50) Emergency Fixture Thermostatic Mixing Valves

Dimensions — Surface-Mounted Cabinet

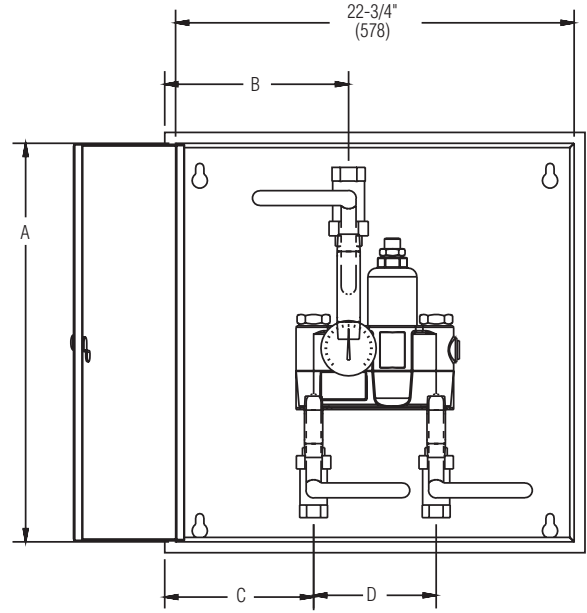
(mm)

Model	A	B	C	D	E	F	G	H	I	J	K	L
S19-2250	26-3/4" (679)	10-3/16" (259)	7-5/8" (194)	8-3/4" (222)	2-1/4" (57)	2-1/2" (64)	28" (711)	2-1/2" (64)	5-1/8" (130)	9-3/4" (248)	24" (610)	9-3/16" (233)

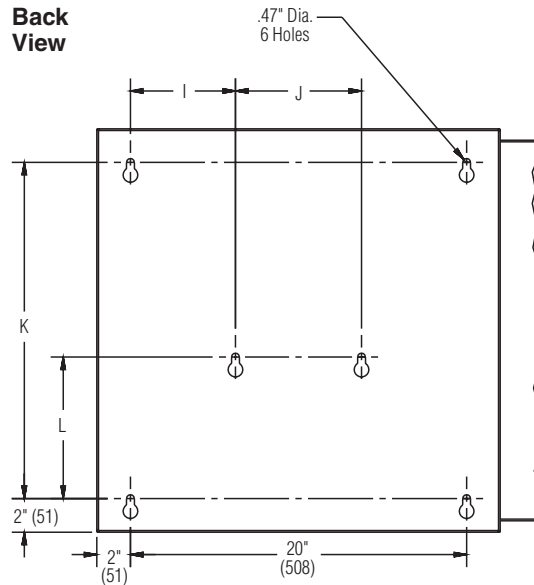
Side View



Front View



Back View





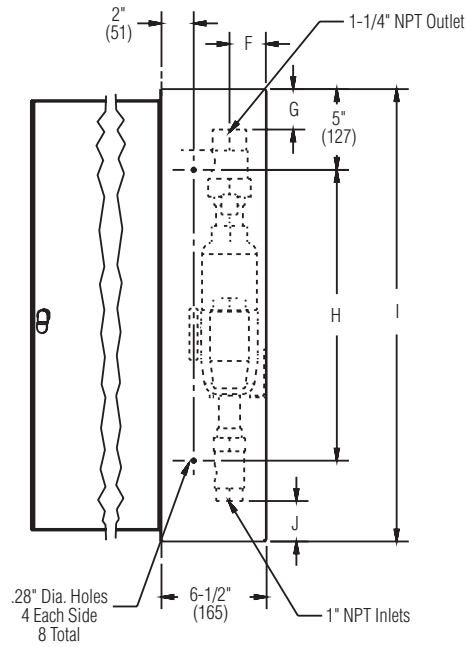
S19-2250 (EFX50) Emergency Fixture Thermostatic Mixing Valves

Dimensions — Recessed Cabinet

(mm)

Model	A	B	C	D	E	F	G	H	I	J
S19-2250	30" (762)	26-3/4" (679)	10-3/16" (259)	7-5/8" (194)	8-3/4" (222)	2-1/4" (57)	2-1/2" (64)	18" (457)	28" (711)	2-1/2" (64)

Side View



Front View

