



- Ideal for Barrier-Free Shower Room
- Industry Unique Hinge Design for Quick and Easy Installation and Maintenance
- Completely Preassembled and Ready to Mount to a Wall
- Flexible Supply Connections

Specifications

Materials

Shower panel is type 300 Series stainless steel. All other exposed parts are stainless steel or chrome-plated brass. Supply inlets are flexible stainless steel hoses.

Standard Equipment

Shower Panel

Shower panel is constructed of 18 gauge stainless steel. Top and bottom covers are riveted onto shower panel.

Hinges

Stainless steel barrel hinges to mount shower to wall.

Valve Type as Selected

For more information on each valve type, please enter the model number in the search box at www.bradleycorp.com.

Showerhead

Showerhead is chrome plated brass with 1.5 GPM (5.7 LPM) flow control, ball joint and adjustable spray pattern control (B).

Hand Shower

Consisting of hand shower with on-off control, a 60" stainless steel flexible hose and post style mounting bracket to hold to shower panel. Elevated in-line backflow preventer with quick disconnect for flexible hose.

Diverter Valve

Lever handle operation for easy transfer of water flow between fixed showerhead and hand-held shower spray.

Supply Inlets

Supply inlets are 24" flexible, stainless steel hoses with 1/2" NPT connections. Inlets are accessible through back of shower or through knockouts in the top and bottom covers.

ADA Requirements

This shower complies with most, but not all, ADA dimensional requirements. Check local codes prior to installation.



WS-1X-HN

Optional Selections

Ball Joint Type†

- LBJ Lockable Ball Joint
- NONE No Ball Joint

Supply Stop Type (select one) (included with EF, HD and TMV valves)

- ST Stops in Supplies for Valves
- NONE No Supply Stops

Soap Type (select one)

- SD Standard Soap Dish
- NSD No Soap Dish

Slide Bar Type (select one)

- SB 24" Slide Bar (currently available on WS-1X-HN model only)
- BS 30" Slide Bar (currently available on WS-1X-HN model only)
- NONE No Slide Bar

Slope Top Type (select one)

- SL Sloped Top
- NONE No Sloped Top

Shroud Type

- SHV Vertical Shrouds (floor to ceiling height _____ ft. _____ in.)*
- SHH Horizontal Shroud (per 3' section)*‡
- NONE No Shroud

Hardware Type (select one)

- SC Standard Screws
- VS Vandal Resistant Screws

*Non-cancelable, non-returnable

**TTPA and TTPB valves require a low-voltage UL/CSA listed 120VAC/12VDC plug-in adapter.

† Only available on S15 and S20 Showerheads.

‡ Submittal drawings required.

Verify all rough-in dimensions prior to installation.

Consult local and national codes: conformity and compliance to local and national codes is the responsibility of the installer.

2.5 GPM showerhead flow rate does not meet California Energy Commission 20 CCR T.20, Div. 2, 1601-1609.

© 2017 Bradley

P.O. Box 309, Menomonee Falls, WI 53052-0309
800 BRADLEY (800 272 3539) +1 262 251 6000
bradleycorp.com

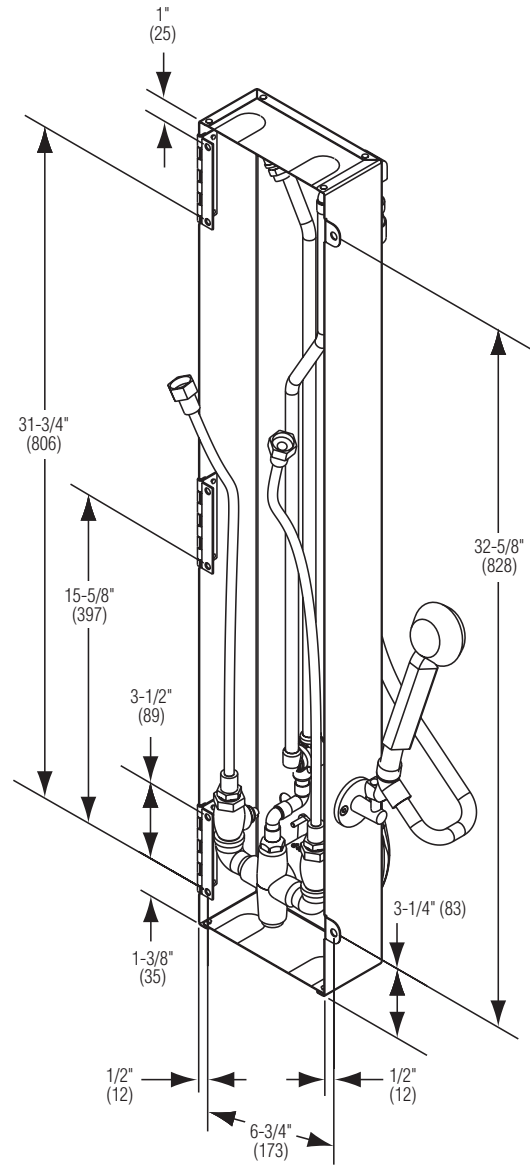
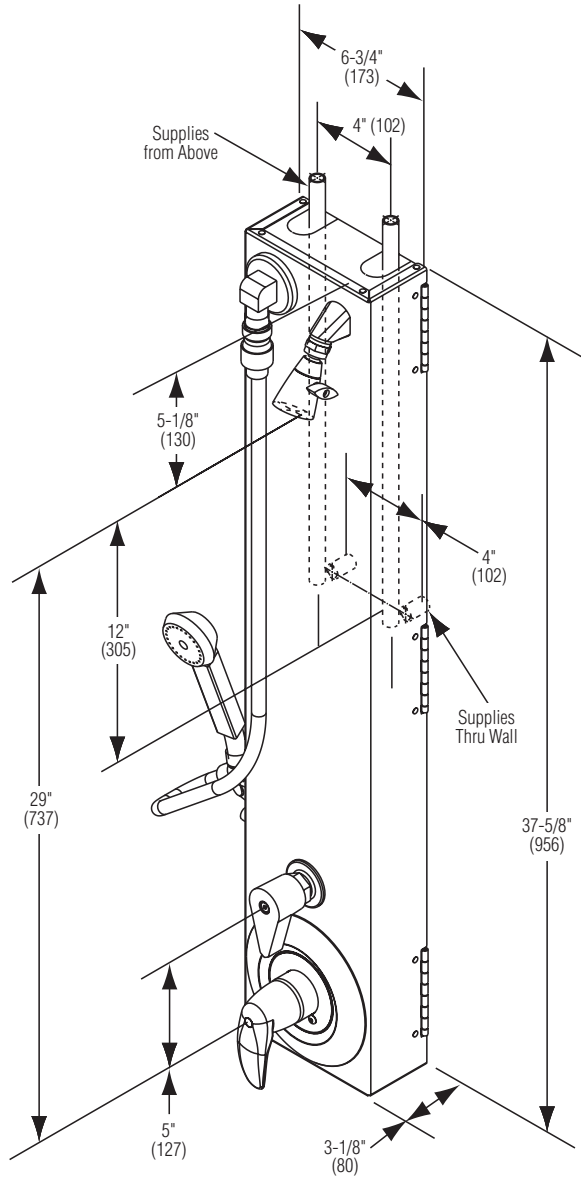
| | |
|---|---|
| Standard Selections (Must select one from each category) | |
| Showerhead Height (select one) | |
| <input type="checkbox"/> 6'-0" | Standard Height |
| <input type="checkbox"/> 5'-6" | Juvenile Height |
| Valve Type (select one) | |
| <i>Hot/Tempered and Cold Supplies</i> | |
| <input type="checkbox"/> EF | Equa-Flo Pressure Balancing Valve |
| <input type="checkbox"/> HD | Equa-Flo HD Pressure Balancing Valve |
| <input type="checkbox"/> TMV | Thermostatic Mixing Valve |
| <i>Single Tempered/Cold Supply</i> | |
| <input type="checkbox"/> AST | Air Pushbutton |
| <input type="checkbox"/> SVL | Single Compression Valve |
| <input type="checkbox"/> TTPA | TouchTime Pushbutton** |
| <input type="checkbox"/> TTPB | TouchTime Piezo Switch** |
| Showerhead Type | |
| <input type="checkbox"/> B | Axis Showerhead w/ Ball Joint (Flow Rate = 1.5 GPM/5.7 LPM) |
| <input type="checkbox"/> S15 | Standard Showerhead (Flow Rate = 1.5 GPM/5.7 LPM) |
| <input type="checkbox"/> S20 | Standard Showerhead (Flow Rate = 2.0 GPM/7.6 LPM) |



WS-1X-HN Individual Pivoting Barrier-Free Wall Shower

Rough-In Dimensions

(mm)



Equa-Flo Valve shown. Valve location and rough-ins same for other valves.