



- Model 2A95-3600 — Recessed**
(recesses 9¹³/₁₆" ; projects 4⁷/₈")
- Model 2A95-1036 — Semi-Recessed**
(recesses 3¹/₂" ; projects 9⁵/₁₆")
- Model 2A95-1136 — Surface-Mounted**
(projects 12¹³/₁₆")

- Diplomat Series
- Owner Provided Roll Towel Dispenser

Product Materials

CABINET: 0.030-inch/22ga.-(0.76 mm) stainless steel with exposed surfaces in architectural satin finish. Welded construction with seamless corners and burr-free edges.

FLANGE: 0.030-inch/22ga.-(0.76 mm) stainless steel with exposed surfaces in architectural satin finish. One piece seamless construction, 1" wide with 1/4" return.

DOOR: 0.030-inch/22ga.-(0.76 mm) stainless steel with full length piano hinge and tumbler lock keyed like other Bradley units.

WASTE CONTAINER: 0.030-inch/22ga.-(0.76 mm) stainless steel with exposed surfaces in architectural satin finish. All welded construction. Secured to cabinet with tumbler lock keyed like other Bradley units. Front of cabinet has matching curvature to other Bradley Diplomat washroom accessories.

Capacity

Towel Dispenser — owner provided towel dispenser maximum dimensions - 14³/₄" W x 9¹/₂" D. Waste Container — 21 gal. (2.8 cu. ft.)

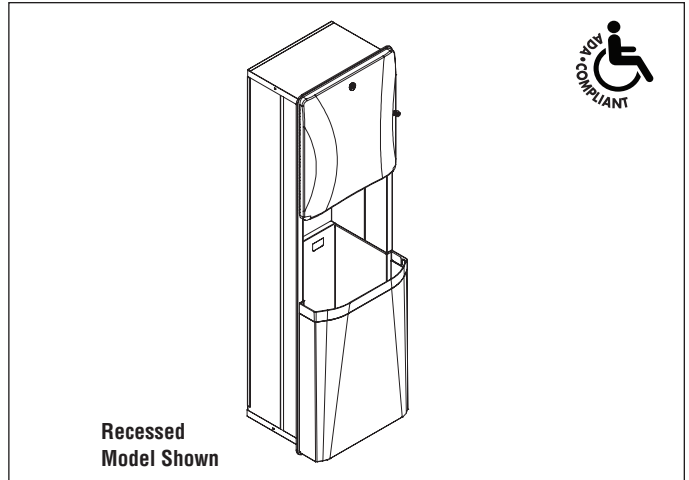
Operation

Receptacle removable for servicing by unlocking waste container. Operates with less than 5 lbs. of force.

Installation

Verify all rough-in dimensions prior to installation. Recessed unit requires rough wall opening 15⁵/₈" W x 54⁵/₈" H x 9⁷/₈" D (Semi-recessed unit only 4" deep). Secure to framing with mounting screws (not included) at holes provided. Shim at screw points as required. Surface mounted units must have holes drilled by installer.

For information on Warranties, Maintenance and BAA/ARRA Compliance, visit our web site at: bradleycorp.com/products/accessories/.



Recessed Model Shown

Guide Specification

Housing to accept owner's roll paper towel dispenser and 21 gal./2.8 cu. ft. capacity waste receptacle in [recessed] [semi-recessed] [surface-mounted] wall cabinet. Towel dispenser door and waste receptacle faces formed with contemporary contours, radii, and finish matching related accessories in manufacturer's designer series. Cabinet accepts owner-furnished roll towel dispenser, with hinged service door with keyed tumbler lock. Waste receptacle removable from cabinet with keyed tumbler lock. Universal keying. Formed from stainless steel sheet with satin finish on exposed surfaces, fully welded, with seamless corners and burr-free edges: cabinet and flange 0.030-inch / 22-ga. thick; door and waste receptacle 0.036-inch / 20-ga. thick. Confirm owner dispenser and dispenser housing dimensions.

Overall dimensions: 17¹/₈"W x 56"H x 14¹/₁₆"D.

MasterFormat Title: Commercial Toilet Accessories

MasterFormat Number: 10 28 13.13

OmniClass Title: Toilet and Bath Specialties

OmniClass Code: 23.31.25.00

Optional Features

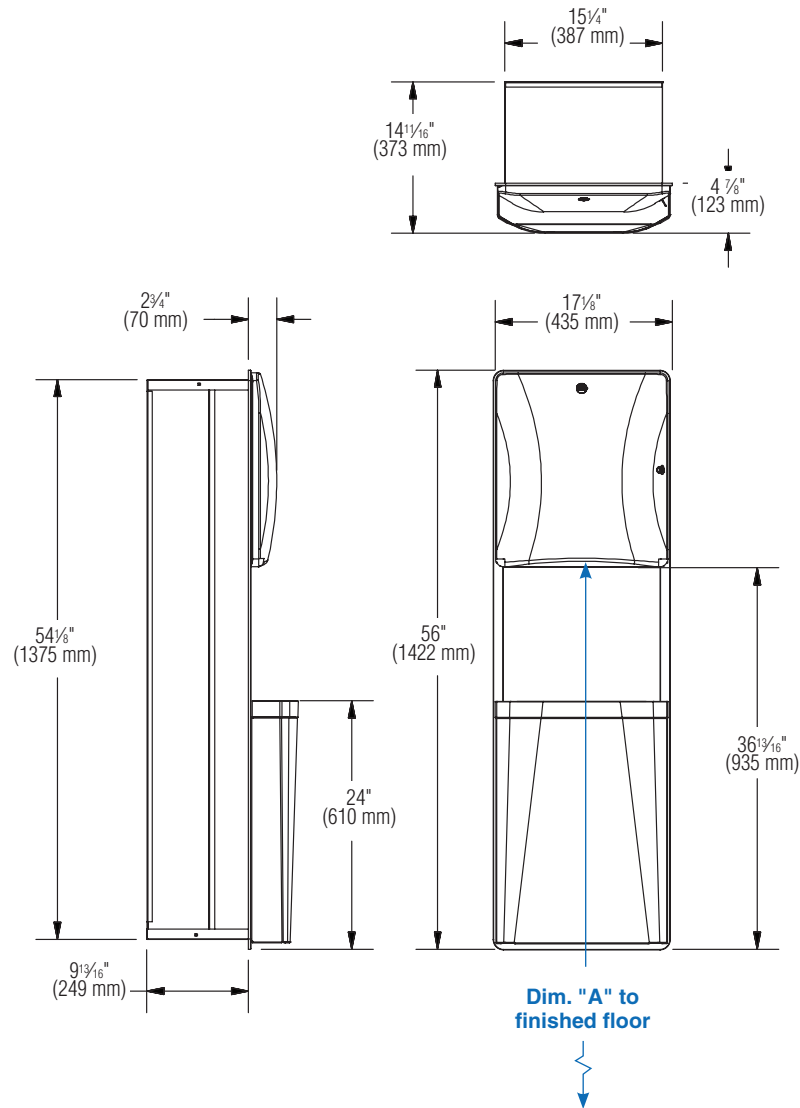
Feature	Suffix
<input type="checkbox"/> Vinyl Liner Part #P11-043	

ADA Compliant

- Consult local and national accessibility codes for proper installation guidelines.
- Conformity and compliance to local and national codes is the responsibility of the installer.



Dimensions



Dim. "A" Key Surface:	For Dim. "A"	Locate Top of Rough Wall Opening	Locate Bottom of Rough Wall Opening
Paper towel top of opening to finished floor	48" (1219mm)	66 1/4" (1683mm)	11 3/4" (298mm)
	45" (1143mm)	63 1/4" (1607mm)	8 3/4" (222mm)
	42" (1067mm)	60 1/4" (1530mm)	5 3/4" (146mm)
	40" (1016mm)	58 1/4" (1480mm)	3 3/4" (95mm)