



Model 4A10-11 — Surface-Mounted **Bradex®**

Diplomat Series

Product Materials

COVER: 0.030-inch/22ga.-(0.76 mm) stainless steel with exposed surfaces in architectural satin finish. Heavy-duty stainless steel piano hinge.

CONTAINER: 0.030-inch/22ga.-(0.76 mm) stainless steel with exposed surfaces in architectural satin finish. All welded construction with front curvature matching other Bradley Diplomat washroom accessories.

Operation

Lid opens for removal of waste. Box of 500 waxed paper liners are available by ordering part number P11-022.

Installation

Surface mounted units must have holes drilled by installer. Secure unit to wall or partition with mounting screws (not included). Shim at screw points as required.

Guide Specification

Surface-mounted napkin/tampon disposal unit, with face formed with contemporary contours, radii, and finish matching related accessories in manufacturer's designer series. Capacity 1.5 gal (0.2 cu. ft.). Equipped with hinged cover; accepts owner's disposable liners. Formed from stainless steel sheet with satin finish on exposed surfaces, fully welded, with seamless corners and burr-free edges: cabinet and waste container 0.030-inch / 22-ga. thick; door 0.036-inch / 20-ga. thick.

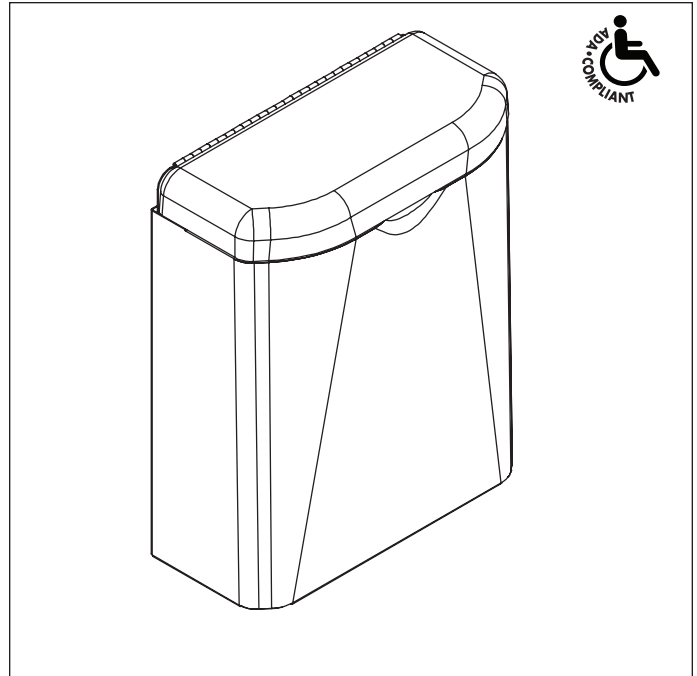
Overall dimensions: 8"W x 10¹/₁₆"H x 3⁷/₈"D.

MasterFormat Title: Commercial Toilet Accessories

MasterFormat Number: 10 28 13.13

OmniClass Title: Toilet and Bath Specialties

OmniClass Code: 23.31.25.00



 **ADA Compliant**

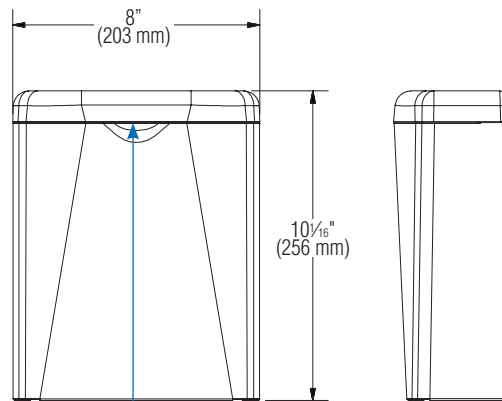
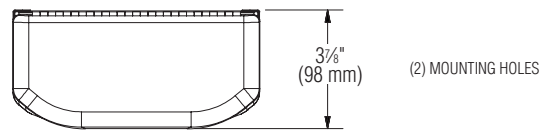
- Consult local and national accessibility codes for proper installation guidelines.
- Conformity and compliance to local and national codes is the responsibility of the installer.

For information on Warranties, Maintenance and BAA/ARRA Compliance, visit our web site at:
bradleycorp.com/products/accessories/.

Orders composed of products indicated as **Bradex®** will be available to ship in three days after receipt of order at the factory. There is no pricing penalty for this service from Bradley.



Dimensions



Dim. "A" to finished floor

Dim. "A" Key Surface:	For Dim. "A"	Locate Top of Unit	Locate Bottom of Unit
Waste receptacle top lip to finished floor	48" (1219mm)	49" (1245mm)	38 ¹⁵ / ₁₆ " (989mm)
	40" (1016mm)	41" (1041mm)	30 ¹⁵ / ₁₆ " (786mm)
	32" (813mm)	33" (838mm)	22 ¹⁵ / ₁₆ " (583mm)
	24" (610mm)	25" (635mm)	14 ¹⁵ / ₁₆ " (379mm)

Orders composed of products indicated as **Bradex**® will be available to ship in three days after receipt of order at the factory. There is no pricing penalty for this service from Bradley.