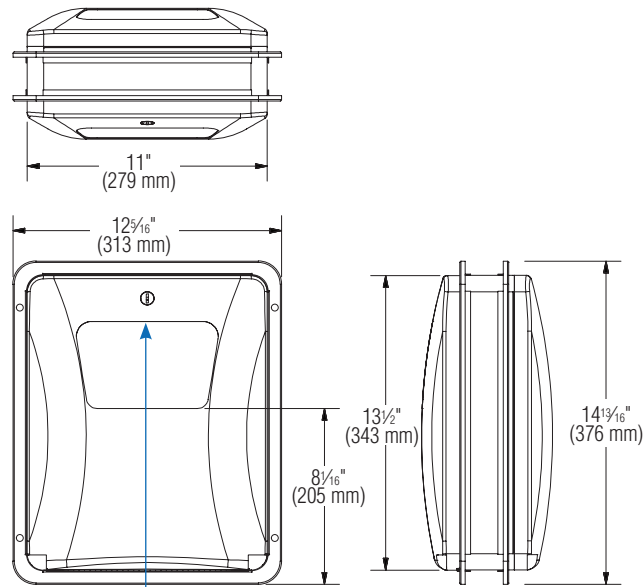






Dimensions



Dim. "A" to finished floor



Dim. "A" Key Surface:	For Dim. "A"	Locate Top of Rough Wall Opening	Locate Bottom of Rough Wall opening
Top of Door (4" Door Opening) to finished floor	48" (1219mm)	50" (1270mm)	36 <sup>1</sup> / <sub>4</sub> " (921mm)
	40" (1016mm)	42" (1067mm)	28 <sup>1</sup> / <sub>4</sub> " (718mm)
	32" (813mm)	34" (864mm)	20 <sup>1</sup> / <sub>4</sub> " (514mm)
	24" (610mm)	26" (660mm)	12 <sup>1</sup> / <sub>4</sub> " (311mm)