

### Security toilet tissue roll holder:

Model SA10

### Product Materials

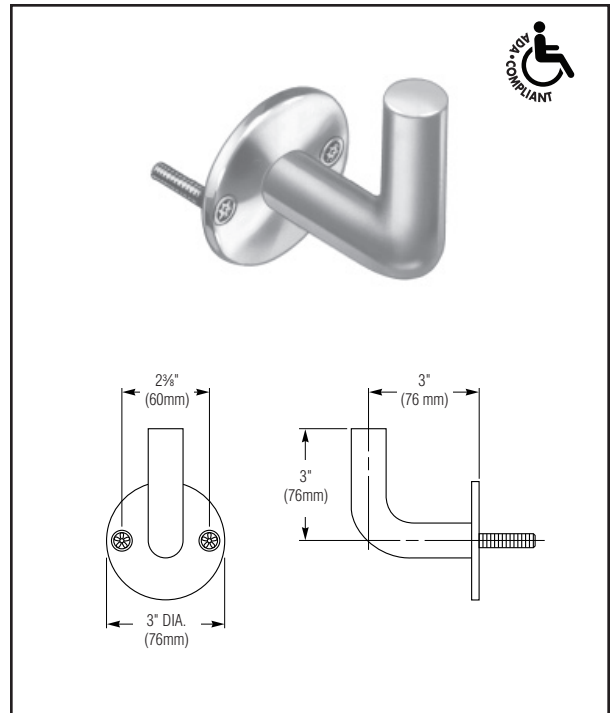
**TISSUE HOLDER:** 18 gauge seamless 1" diameter stainless steel tubing in architectural satin finish. Stainless steel end cap is welded and ground smooth to a matching architectural satin finish.

**WALL ANCHOR PLATE:** 11 gauge flange is welded to the tubing. Unit is supplied with 1/4" - 20 x 1 1/2" T27 torx head machine screws for installation to wall anchors (not included).

**WARNING:** Unit can be used as a suicide device and is not recommended for penal institution or mental health applications.

### ADA Compliant

- Consult local and national accessibility codes for proper installation guidelines.
- Conformity and compliance to local and national codes is the responsibility of the installer.



Washroom Accessories  
Document No. 9195