



Aerada™ 900 Series Faucet with Accu-Zone® Infrared Control

- Lead-Free Design
- .5 GPM Vandal-Resistant Aerator
- Reliable Infrared Activation
- Broad Sensing Zone Within Bowl
- Automatic Sensor Adaptation to Lav Bowl
- Centershank, 4" Centerset or 8" Centerset Mounting

Specifications

User Operation

The faucet activates water flow only when the user's hands enter a broad infrared detection zone within the lavatory bowl perimeter. The faucet turns itself off after the hands are removed from the lavatory bowl area.

Materials

Chrome-plated, solid cast brass body.

Mounting

4" centerset, 8" centerset and centershank mounting available.

Vandal Resistance

Mounted on lav with studs. Solid brass construction. Sensor module is sealed airtight, located inside the faucet, and protected by a shatter-resistant polycarbonate shield. Accu-Zone® sensors automatically shut off water flow after 30–45 seconds if a stationary object is left in the detection area. Optional anti-theft bracket for plug-in adapter available.

Sanitary

No-touch operation reduces water/soap splatter. User's hands need not touch faucet after washing.

Standard Equipment

Infrared Sensor

The sensor module uses a zone-focused infrared transmitting beam, creating a detection area not exceeding the bowl perimeter. Accu-Zone sensors activate when the user's hands enter the detection area. A timing turn-off delay of 2–3 seconds results in a smooth, controlled hand-washing operation.

Solenoid

12VDC plug-in adapter, 3/8" NPT supplies. The electronically activated solenoid valve contains few moving parts and its operation is unaffected by most chemicals and minerals often present in municipal water supplies.

Flow Control/Rate

Operating range 20–80 PSI. Flow restrictor keeps flow rate constant at all pressures. Standard flow rate is .5 GPM. Optional .35 GPM flow control is available.

Water Supply

Incoming water supply can be tempered or cold. A Bradley Thermostatic Mixing Valve can be utilized to mix hot and cold supplies and deliver tempered water.



Code Compliance and Certifications

ADA Compliance

Hands free activation activates the 10-second cycle, enabling even the severely disabled to use the faucet.

Check Your Surroundings

Certain factors, such as intense direct sunlight, other infrared devices, or other site conditions may interfere with the activation of infrared faucets. Contact your local Bradley representative to discuss any application concerns.

- Plug-in adapters are UL/CSA recognized, 120VAC/12VDC. Location and box, if required, (by others) per local electrical code.



Verify all rough-in dimensions prior to installation.
Consult local and national codes. Conformity and compliance to local and national codes is the responsibility of the installer.



Aerada™ 900 Series Faucet with Accu-Zone® Infrared Control

Sample Specification

No-touch infrared faucet shall be Bradley Aerada™ 900 Series faucet with Accu-Zone sensor module. Infrared sensor to use two zone-focused transmitting beam, creating a detection area not exceeding the bowl perimeter. The infrared sensor module shall electronically activate a 12V solenoid valve using a 12VDC power supply. Infrared sensor module to have auto shut-off after 30–45 seconds of continuous triggering by a stationary object, a timing turn-off delay of 2–3 seconds. Sensor module send-and-receive optics shall be protected by a flush-mounted, shatter-resistant polycarbonate shield. Faucet shall include 12VDC plug-in adapter, chrome-plated, solid cast brass body with centershank mounting.



Standard product selections contained within this document are third party **CERTIFIED** to NSF/ANSI 372 meeting the Lead-Free content requirement. Any product configured with custom options will be **COMPLIANT** with NSF/ANSI 372 meeting the Lead-Free content requirement.

Models

Faucet w/Thermostatic Mixing Valve:

- S53-341TMA** 4" Centerset
- S53-343TMA** Centershank
- S53-345TMA** Centershank w/ 8" Trimplate

Faucet w/Tempered Line:

- S53-341TL** 4" Centerset
- S53-343TL** Centershank
- S53-345TL** Centershank w/ 8" Trimplate

Optional Selections

Adapter Accessories

- S83-376** Adapter Anti-Theft Bracket
- 251-026** Remote Adapter Cable Extension

Splitter Kits

- S45-2881** Splitter Kit-2 Faucets
- S45-2883** Splitter Kit-3 Faucets
- S45-2884** Splitter Kit-4 Faucets

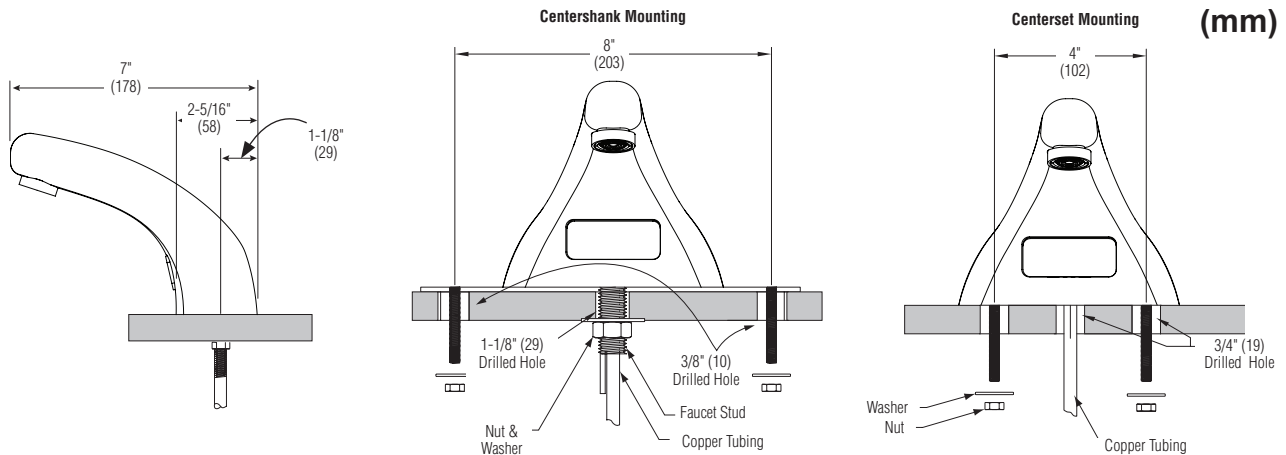
Drain Assembly:

- 269-1839** D-ASSY, Drain, Strainer, and Tailpiece

Flow Control:

- S45-2678** .35 GPM Flow Control Prepack w/Key

Dimensional Information



Verify all rough-in dimensions prior to installation. Consult local and national codes. Conformity and compliance to local and national codes is the responsibility of the installer.