



- Model 5932 — Recess-Mounted
- Model 5932-10 — Semi-Recessed (recesses 3¼", projects 1¼")
- Model 5932-11 — Surface-Mounted (projects 4½")
- Models 5932-10 and 5932-11 do not allow clearance for optional grab bar. See inset view shown at right.
- Seat Cover Dispenser and Waste Receptacle

Product Materials

CABINET: 22 gauge stainless steel with exposed surfaces in architectural satin finish. Welded construction with burr-free edges.

FLANGE: 22 gauge stainless steel with exposed surfaces in architectural satin finish. One-piece seamless construction, 1" wide with ¼" return.

DOOR: 18 gauge stainless steel with full-length piano hinge and tumbler lock keyed like other Bradley units.

PUSH FLAP DOOR: 22 gauge stainless steel with exposed surfaces in architectural satin finish. Self-closing, with heavy-duty stainless steel piano hinge.

WASTE RECEPTACLE: leakproof molded plastic. 1.7 gal. capacity.

Capacity

Toilet Seat Cover Dispensers — 1000 standard single-fold or half-fold toilet seat covers.

Operation

Hinged access door permits servicing of components from one side.

Installation

Verify all rough-in dimensions prior to installation. Requires rough wall opening 15¾"W x 28¾"H x 4¼"D. Secure to framing with mounting screws (included) at holes provided. Recessed unit allows clearance for grab bar (not included) across front of unit. 5900 Series Combination Units are to be installed so that doors open 90° to fill product and maintain waste container.

Guide Specification

Recessed combination unit shall include toilet seat cover dispenser and napkin disposal, and be fabricated of stainless steel with seamless exposed surfaces in satin finish. Door and back panel shall be 18 gauge. Door shall have piano hinge and tumbler lock.

Overall dimensions: 17½"W x 30¾"H x 4½"D.



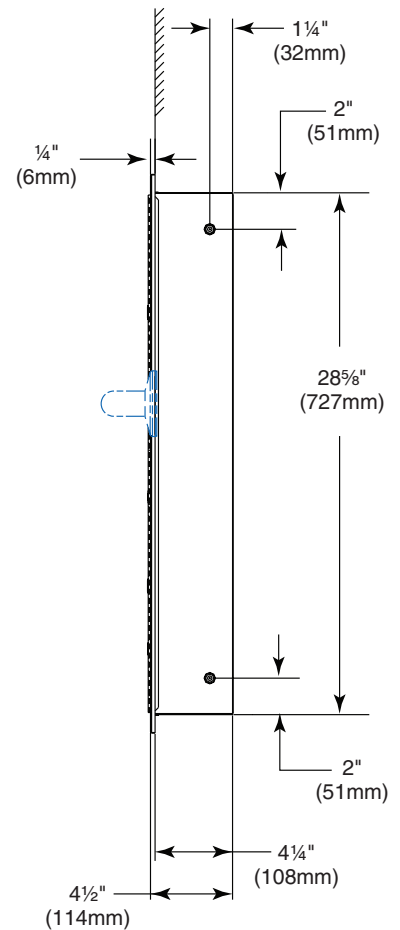
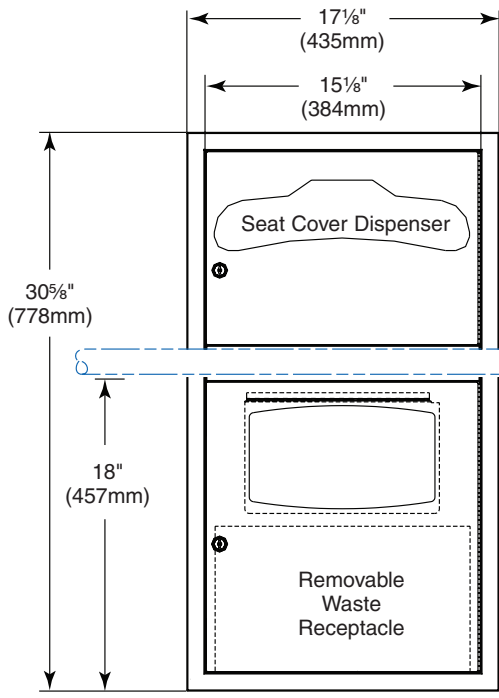
ADA Compliant

- Consult local and national accessibility codes for proper installation guidelines.
- Conformity and compliance to local and national codes is the responsibility of the installer.

Note: ADA requires a 1½" grab bar clearance to the wall. When fully recessed, this unit protrudes ¼" from the finished wall. A standard grab bar, when mounted over the unit, will not meet the ADA requirement of 1½".



Dimensions



Grab bars must be ordered separately. To learn more about Bradley's wide variety of grab bar configurations, visit bradleycorp.com.

| Dim. "A" Key Surface: | For Dim. "A" | Top of Rough Wall Opening | Bottom of Rough Wall Opening | For Seat Cover Opening Top | For Top of Waste Receptacle Door @ Dim. "A" |
|------------------------------------------|--------------------------------------------------------------------------------------------------------|---------------------------|------------------------------|----------------------------|---------------------------------------------|
| Top of 1 1/2" grab bar to finished floor | 36" (914mm) | 47" (1194mm) | 18 5/8" (460mm) | 45 5/8" (1153mm) | 33" (838mm) |
| | 34 1/2" (876mm) | 45 1/2" (1156mm) | 16 5/8" (422mm) | 43 7/8" (1114mm) | 31 1/2" (402mm) |
| | 33" (838mm) | 44" (1118mm) | 15 1/8" (384mm) | 42 5/8" (1076mm) | 30" (762mm) |
| Rough wall opening: | | | | | |
| Surface-Mount: | No rough opening, overall dimensions 15 1/8" (384mm) Wide x 18 5/8" (473mm) High x 4 1/2" (114mm) Deep | | | | |
| Recessed: | 15 3/8" (391mm) Wide x 28 7/8" (734mm) High x 4 1/4" (108mm) Deep | | | | |
| Semi-Recessed: | 15 3/8" (391mm) Wide x 28 7/8" (734mm) High x 3 1/4" (83mm) Deep | | | | |