



S59-2007 Thermostatic Mixing Valve

- Reliable Wax-Filled Thermostat
- Elbow Checkstops on Inlets
- Adjustable Set Point within Temperature Range
- Positive Shutoff of Hot Supply When Cold Supply is Lost
- Easy Installation and Serviceability
- Dirt and Lime Resistant
- Factory Assembled and Tested
- Universal Mounting Capability

Valve Specifications

Maximum Operating Pressure

125 PSI (860 kPa)

Maximum Inlet Temperature

200° F (93° C)

Temperature Range

Std. 95° F (35° C) to 115° F (46° C)

Set Point

105° F (41° C)

Flow Capacities – GPM

Model	Min. Flow	Pressure Drop – PSI						
		5	10	15	20	30	45	60
S59-2007	0.5	2.0	3.5	4.5	5.0	6.5	8.0	9.5

Flow Capacities – L/Min

Model	Min. Flow	Pressure Drop – Bar						
		.5	1.0	1.5	2.0	2.5	3.0	4.0
S59-2007	2.0	10.0	16.0	20.5	24.5	27.5	30.0	35.5



Valve Model

Model

- S59-2007
- S59-2007C
- S59-2007T

Description

Under the Sink Thermostatic Mixing Valve
 Under the Sink Thermostatic Mixing Valve, Chrome Plated
 Under the Sink Thermostatic Mixing Valve with Dial Thermometer

Contact Bradley for cabinet options.

Code Compliance and Certifications

ASSE 1017 & CSA certified.



Certified to
NSF/ANSI 372

Standard product selections contained within this document are third party CERTIFIED to NSF/ANSI 372 meeting the Lead-Free content requirement. Any product configured with custom options will be COMPLIANT with NSF/ANSI 372 meeting the Lead-Free content requirement.

Engineer's Approval _____

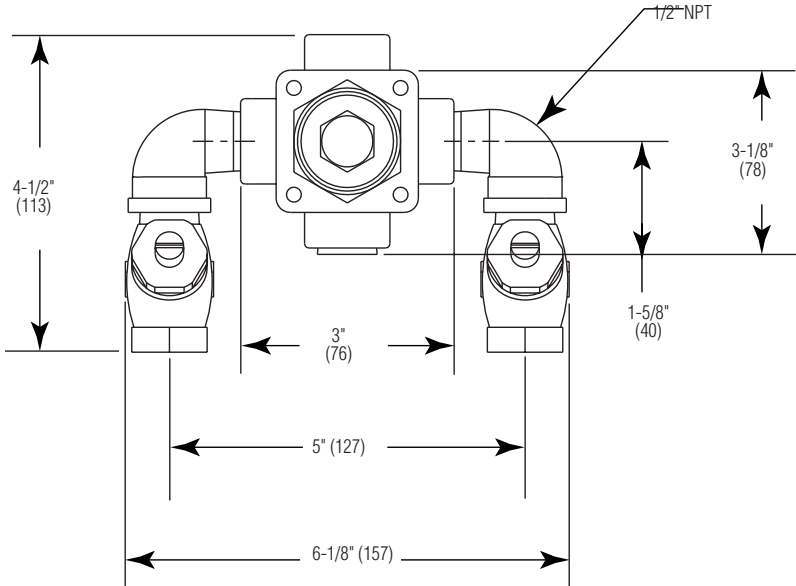


S59-2007 Thermostatic Mixing Valve

Dimensions

(mm)

Front View



Side View

