

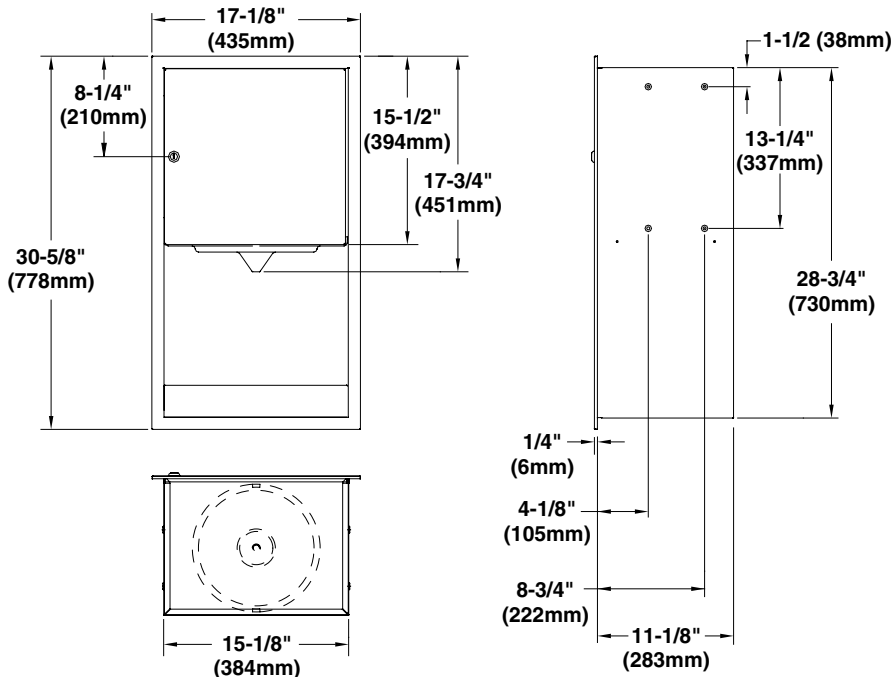
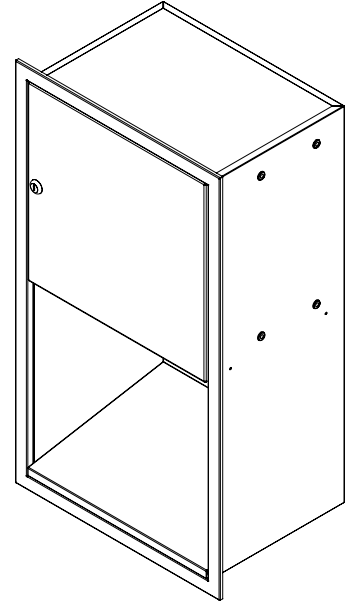
# 2479

## Recessed and Semi-Recessed Towel Dispenser

# Installation

### Recessed Towel Dispenser

- ✔ See page 2 for semi-recessed model 2479-10. Refer to installation manual P20-156 for surface-mount model 2479-11.
- ✔ Coordinate installation with architect and contractor to avoid protrusion from opposite wall, pipes vent, conduits, electrical wiring etc. in wall. Grounding is recommended for plaster wall installation. If installing where unit projects above top of wainscot, provide aluminum channel or other filler to prevent gap from finished wall and flange of unit. For block walls, use metal expansion shields (not provided).
- ⚠ **IMPORTANT: Fasteners provided by Bradley may not be appropriate for your wall construction. Installer is responsible for using appropriate fasteners.**
  1. Provide the wall opening per the dimensions shown.
  2. Position the unit into the opening and unlock the door.
- ✔ Shims may be required to prevent distortion when positioning the unit into the wall opening. Place shims at the mounting holes between the outside of the unit and the wall before securing the towel/waste unit.
  3. Secure the unit to the wall through the concealed mounting holes provided with the four #10 screws supplied.



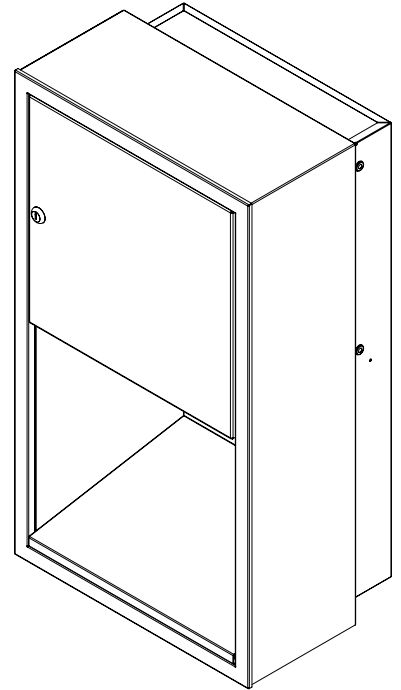
### ADA Accessibility Compliance:

- For unobstructed forward or side reach, the unit should be installed so that the top of the towel dispenser lip is 48" (1219mm) maximum above the finished floor.
- The unit cannot be located where it will protrude into walks, halls, corridors, passageways or aisles.

# Installation

## Semi-Recessed Towel Dispenser/Waste Receptacle

- ✔ See page 1 for recessed model 2479. Refer to installation manual P20-156 for surface-mount model 2479-11.
- ✔ Coordinate installation with architect and contractor to avoid protrusion from opposite wall, pipes vent, conduits, electrical wiring etc. in wall. Grounding is recommended for plaster wall installation. If installing where unit projects above top of wainscot, provide aluminum channel or other filler to prevent gap from finished wall and flange of unit. For block walls, use metal expansion shields (not provided).
- ⚠ **IMPORTANT: Fasteners provided by Bradley may not be appropriate for your wall construction. Installer is responsible for using appropriate fasteners.**
  1. Provide the wall opening per the dimensions shown.
  2. Position the unit into the opening and unlock the door.
- ✔ Shims may be required to prevent distortion when positioning the unit into the wall opening. Place shims at the mounting holes between the outside of the unit and the wall before securing the towel/waste unit.
  3. Secure the unit to the wall through the concealed mounting holes provided with the four #10 screws.



### ADA Accessibility Compliance:

- For unobstructed forward or side reach, the unit should be installed so that the top of the towel dispenser lip is 48" (1219mm) maximum above the finished floor.
- The unit cannot be located where it will protrude into walks, halls, corridors, passageways or aisles.

