

Installation Instructions

2479-11 Surface-Mounted Towel Dispenser

NOTE: Refer to installation manual, P20-157 for recess-mount model 2479 and semi-recess model 2479-1.

⚠ IMPORTANT: Adequate in-wall backing must be provided by installer to fully support the weight of the unit. Always check local codes and ordinances prior to installation.

⚠ IMPORTANT: Fasteners provided by Bradley may not be appropriate for your wall construction. Installer is responsible for using appropriate fasteners.

1. **Plaster or dry wall construction:** Provide in-wall backing (suitable for use with #10 x 1" screws) at the mounting slot locations shown in Figure 1 below.

Other wall surfaces: Provide fiber plugs or expansion shields (suitable for use with #10 x 1" screws supplied by installer), OR provide 1/8" toggle bolts or expansion bolts. If installing where unit projects above top of wainscot, provide aluminum channel or other filler to prevent gap from finished wall to the back of the unit. For block walls, use metal expansion shields.

2. Unlock the door. Secure the unit to the wall through the concealed slots provided with hardware appropriate for your wall construction.

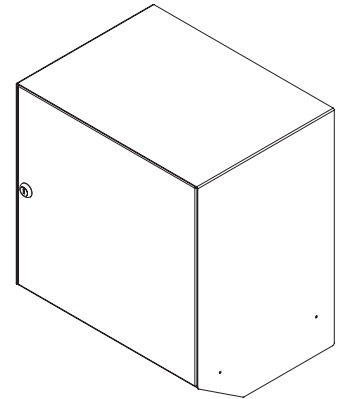
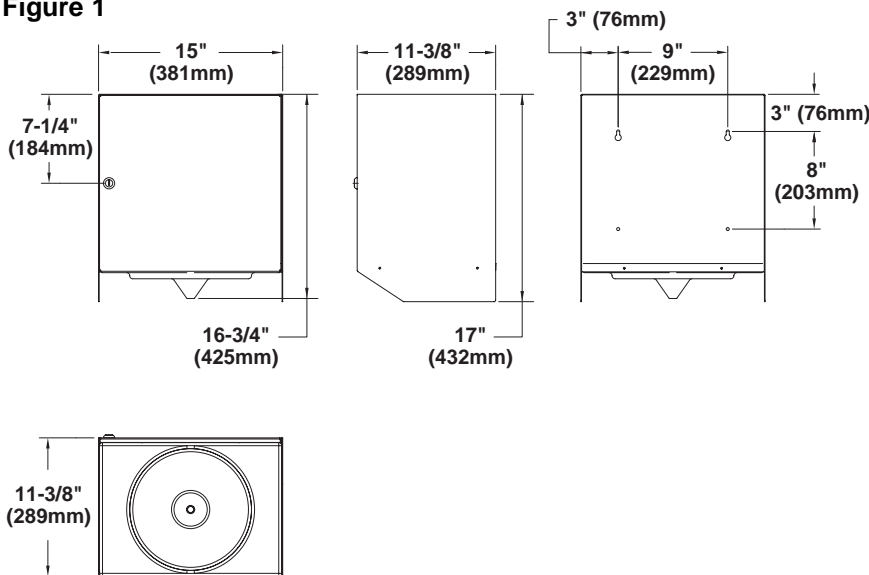


Figure 1



⚠ IMPORTANT

For ADA Accessibility compliance

- the unit should be installed so that the bottom of the towel dispenser cone is 54" (1372mm) maximum above the finished floor (AFF) if side-reach access is provided, OR 48" (1219mm) maximum AFF if forward-reach access is provided.
- the unit cannot be located where it will protrude into walks, halls, corridors, passageways or aisles if it reduces the clear passage to less than 36".