

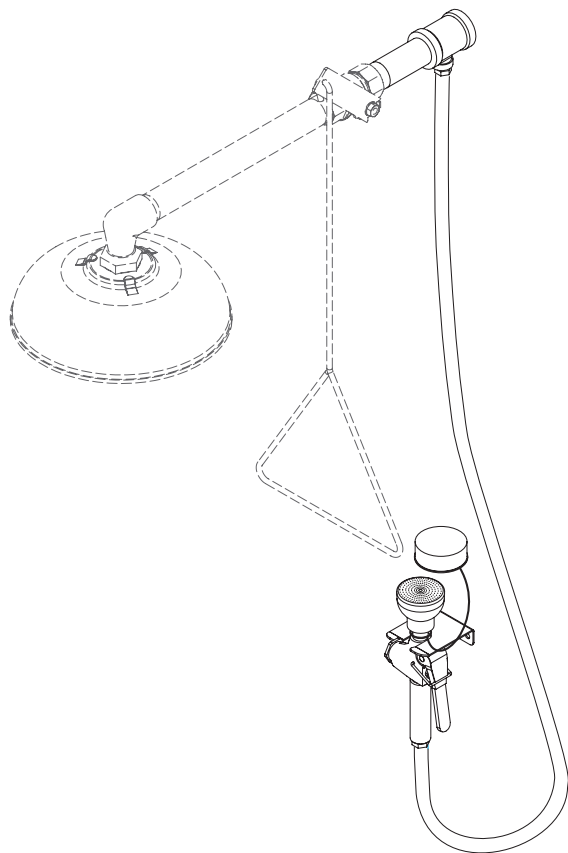
Installation

S19-430SH

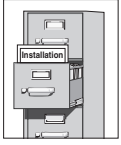
Drench Hose Spray Kit for Drench Showers or Combination Units

Table of Contents

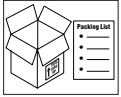
Pre-Installation Information	2
Installation Instructions	3
Components and Parts List	4



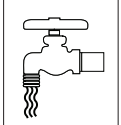
IMPORTANT



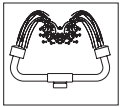
Read this installation manual completely to ensure proper installation, then file it with the owner or maintenance department. Compliance and conformity to drain requirements and other local codes and ordinances is the responsibility of the installer.



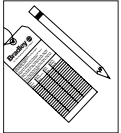
Separate parts from packaging and make sure all parts are accounted for before discarding any packaging material. If any parts are missing, do not begin installation until you obtain the missing parts.



Flush the water supply lines before beginning installation and after installation is complete. Test the unit for leaks and adequate water flow. Main water supply to the eyewash should be "ON" at all times. Provisions shall be made to prevent unauthorized shutoff.



The ANSI Z358.1 standard requires an uninterrupted supply of flushing fluid. Bradley plumbed emergency fixtures require a minimum of 30 PSI (0.21 MPa) flowing pressure. Flushing fluid should be tepid per ANSI Z358.1.



The inspection and testing results of this equipment should be recorded weekly to verify proper operation. This equipment should be inspected annually to ensure compliance with ANSI Z358.1.



Workers who may come in contact with potentially hazardous materials should be trained regarding the placement and proper operation of emergency equipment per ANSI Z358.1.



For questions regarding the operation or installation of this product, visit www.bradleycorp.com or call 800.BRADLEY (800.272.3539).

Product warranties and service parts information may also be found under "Products" on our web site at bradleycorp.com.

Installation

NOTICE! Avoid cleaners containing organic solvents, alcohols, and hydrocarbons. Rinse with water after cleaning.

Supplies Required:

- Pipe sealant
- 6" pipe (1" NPT) for horizontal drench shower
- OPTIONAL: hardware to mount bracket to wall

- Close water supply before adding hose assembly.
- Apply pipe sealant (supplied by installer) to all male threaded pipe joints.
- Use a strap wrench around the yellow pipes to prevent marring.

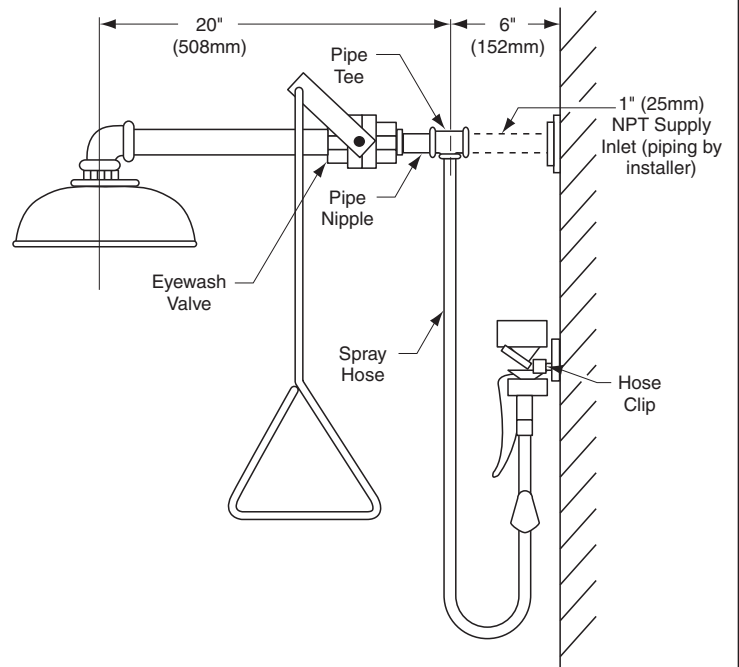
For Drench Shower Units

1. Connect the pipe nipple and the pipe tee to the drench shower.
2. Connect a 6" pipe (1" NPT, supplied by installer) to the tee.
3. Connect 1" NPT water supply piping to the 6" pipe.
4. Mount the bracket to piping (with hardware provided) or the wall (with hardware supplied by installer).

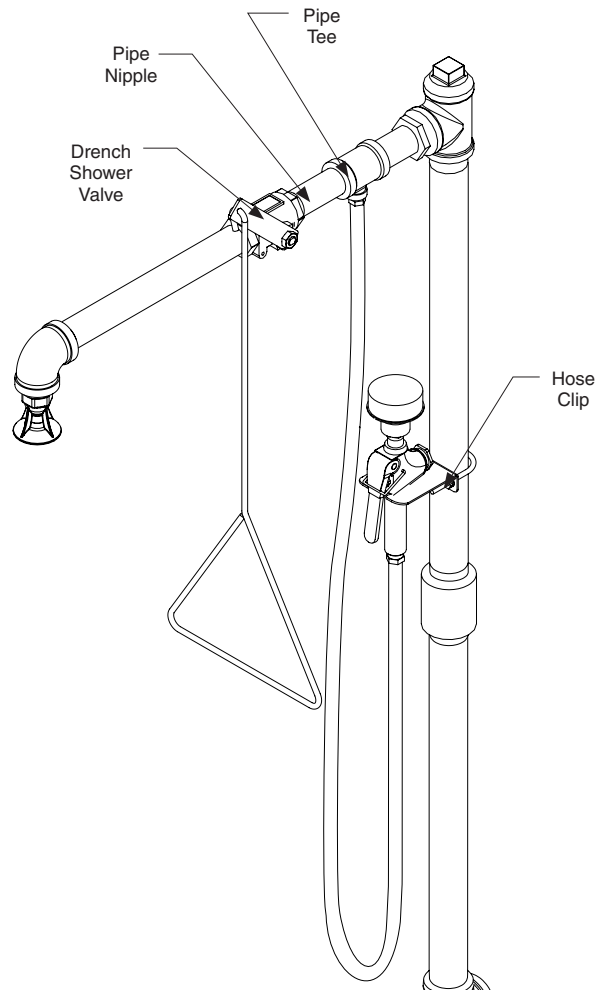
For Combination Units

1. Connect the pipe nipple and the pipe tee between the drench shower valve and the pipe.
2. Mount the bracket to piping (with hardware provided) or the wall (with hardware supplied by installer).

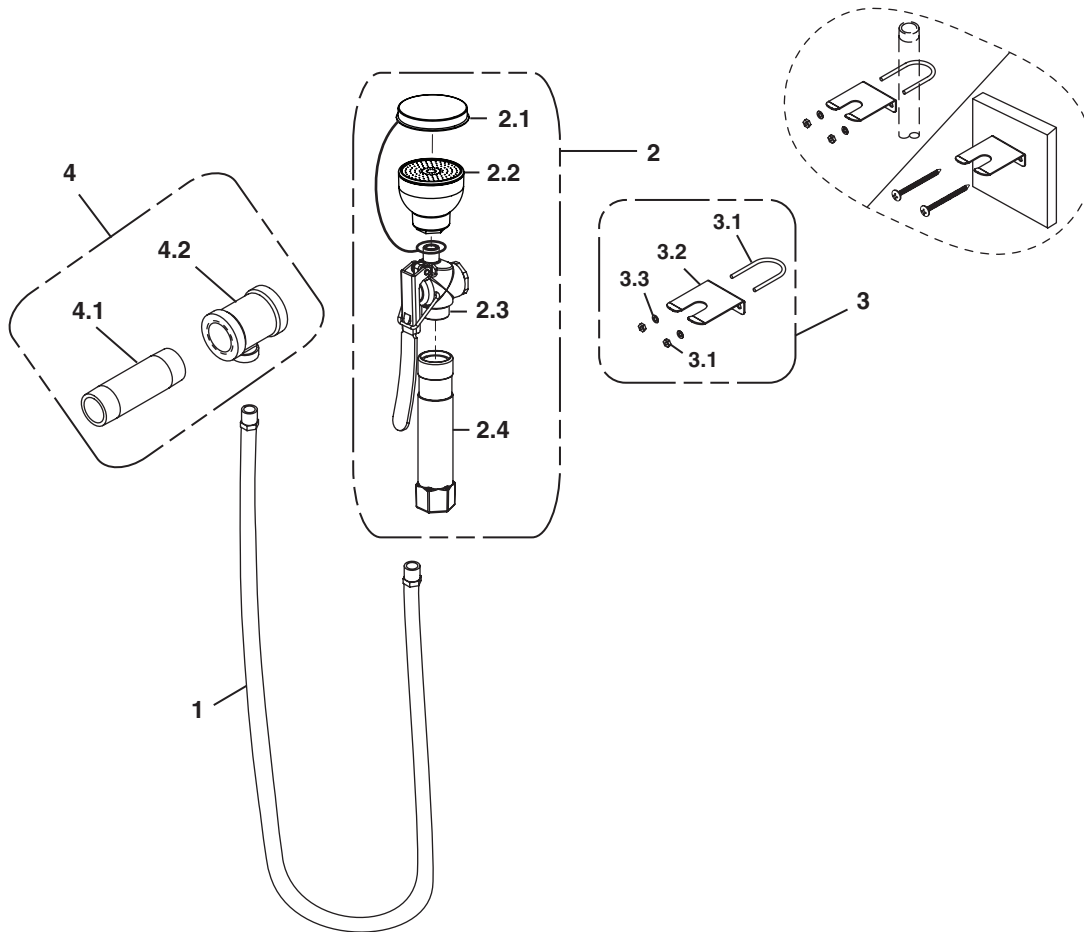
Drench Shower Installation



Combination Unit Installation



Assembly of Components and Parts List



Item	Part No.	Qty.	Description
1	S89-002	1	Yellow Tube 3/8"
	S89-003	1	Stainless Steel Hose
2	S39-817	1	Sprayhead Assembly
2.1	S53-063	1	Dust Cover
2.2	S45-2453	1	Service Kit EFW - Black Sprayheads
2.3	S27-332	1	Valve, Hose Spray
2.4	128-182	1	Handle, Drench Hose

Item	Part No.	Qty.	Description
3	S45-831	1	Clip Prepack
3.1	269-681	1	U-Bolt with Nuts
3.2	140-601	1	Wall Bracket
3.3	142-002BS	2	Lockwasher
4	S45-317	1	Hose Fitting Prepack
4.1	113-006MJ	1	Pipe Nipple
4.2	169-880	1	Pipe Tee Reducer